

SERIES

SCW10 HAZARDOUS RATED

10 TON (88.9 kN)

- SPEED:** Up to 108 in/min (46 mm/s)
- BRAKE MOTOR:** 230/460 VAC, 3 ph, 60 Hz
Class 1, Group D and Class 2, Group F & G
- STROKES:** Up to 108 in (2743 mm)
- TEMPERATURE RANGE:** 0°F to 120°F (-18°C to 50°C)*



*For other temperatures please consult the factory

FEATURES & BENEFITS

- Easy to install - reduces installation costs
- Custom designed for your application
- Low maintenance design - easy to maintain after installation
- Long product life expectancy
- Ball screw or acme screw
- Ductile iron housing
- Chrome plated translating tube
- Adjustable end of stroke limit switches
- Double clevis mounting
- **Motor rated for Class 1, Group D and Class 2, Groups F & G**
- **Limit switches rated for NEMA 7/Class 1, Group D or NEMA 9/Class 2, Groups E, F & G.**

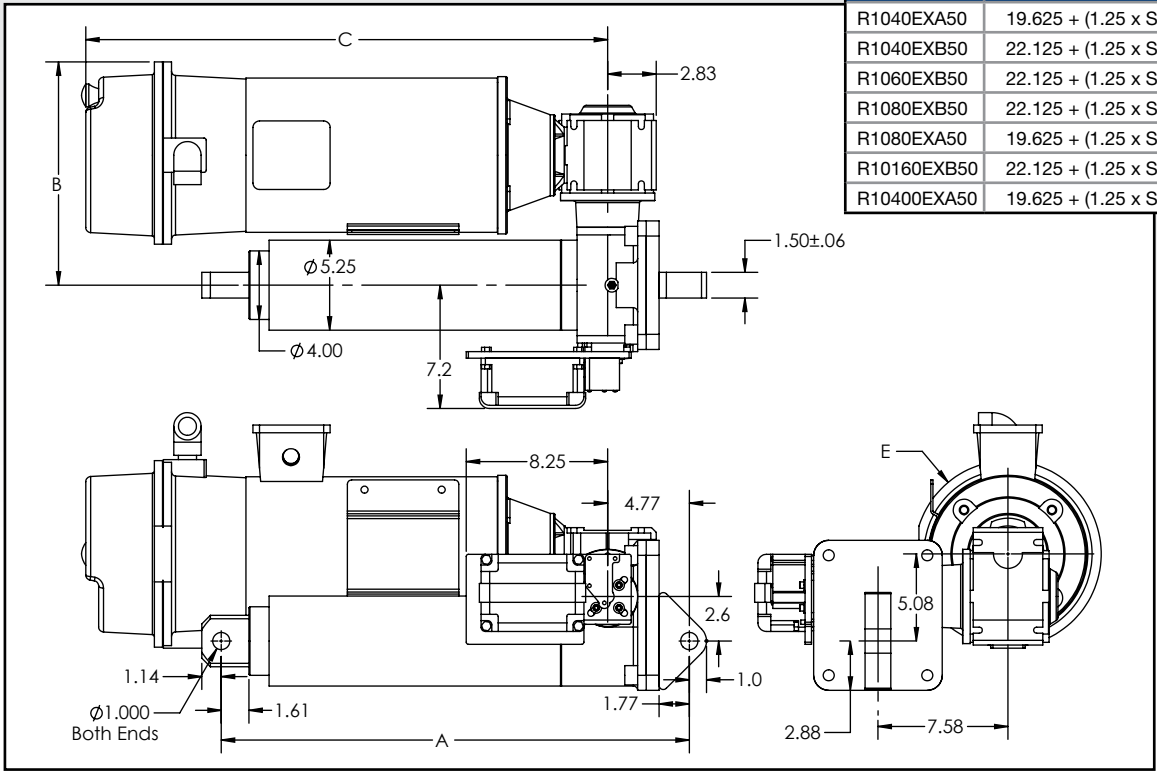
Specify when ordering.

PRODUCT INFORMATION

Part Number	Rated Load		Standard Stroke Length		Retracted Length in (mm)	Speed at Rated Load		Max Stroke		Motor		Screw Type	Configu-ration	Mounting
	lbs	N	in	mm		in/min	mm/s	in	mm	HP	kW			
W1008EXB50	11,000	48,930	6, 12, 18, 24, 36	152, 304, 459, 609, 914	22.125 (562) + (1.25 x Stroke)	108	46	108	2743	5	3.73	Ball	Right Angle	Clevis
W1012EXB50	9600	42,703			22.125 (562) + (1.25 x Stroke)	72	30	108	2743	3	2.24	Ball	Right Angle	Clevis
R1040EXA50	20,000	88,964			19.625 (498) + (1.25 x Stroke)	21.6	9	69	1752	5	3.73	Acme	Parallel	Clevis
R1060EXB50	15,500	68,947			22.125 (562) + (1.25 x Stroke)	14.4	6	108	2743	1	0.75	Ball	Parallel	Clevis
R1080EXB50	20,000	88,964			22.125 (562) + (1.25 x Stroke)	10.8	5	108	2743	1	0.75	Ball	Parallel	Clevis
R1080EXA50	17,500	77,844			19.625 (498) + (1.25 x Stroke)	10.8	5	73.8	1873	2	1.49	Acme	Parallel	Clevis
R10160EXB50	18,900	84,071			22.125 (562) + (1.25 x Stroke)	5.4	2	108	2743	1/2	0.37	Ball	Parallel	Clevis
R10400EXA50	15,040	66,898			19.625 (498) + (1.25 x Stroke)	2.2	1	80	2032	1/2	0.37	Acme	Parallel	Clevis

*NOTE: Models with asterisk by motor HP are inherently load holding. Motor brake may be omitted if slight drift is acceptable. Slight drift is not detrimental. Consult the factory for additional speeds and capacities. Stroke lengths are available in 1 inch increments, please contact the factory for details.

PARALLEL MOTOR



Model	A	C	E
R1040EXA50	19.625 + (1.25 x Stroke)	33.53	10.88
R1040EXB50	22.125 + (1.25 x Stroke)	27.06	10.88
R1060EXB50	22.125 + (1.25 x Stroke)	22.72	7.88
R1080EXB50	22.125 + (1.25 x Stroke)	22.72	7.88
R1080EXA50	19.625 + (1.25 x Stroke)	27.06	7.88
R10160EXB50	22.125 + (1.25 x Stroke)	22.72	7.88
R10400EXA50	19.625 + (1.25 x Stroke)	22.66	7.88

RIGHT ANGLE MOTOR

