

# SERIES

## SCW10

### 10 TON (88.9 kN)

- SPEED:** Up to 108 in/min (46 mm/s)
- BRAKE MOTOR:** 230/460 VAC, 3 ph, 60 Hz
- STROKES:** Up to 108 in (2743 mm)
- TEMPERATURE RANGE:** 0°F to 120°F (-18°C to 50°C)\*

\*For other temperatures please consult the factory



#### FEATURES & BENEFITS

- Easy to install - reduces installation costs
- Custom designed for your application
- Low maintenance design - easy to maintain after installation
- Long product life expectancy
- Ball screw or acme screw
- Ductile iron housing
- Chrome plated translating tube
- Adjustable end of stroke limit switches
- Double clevis mounting

#### OPTIONS

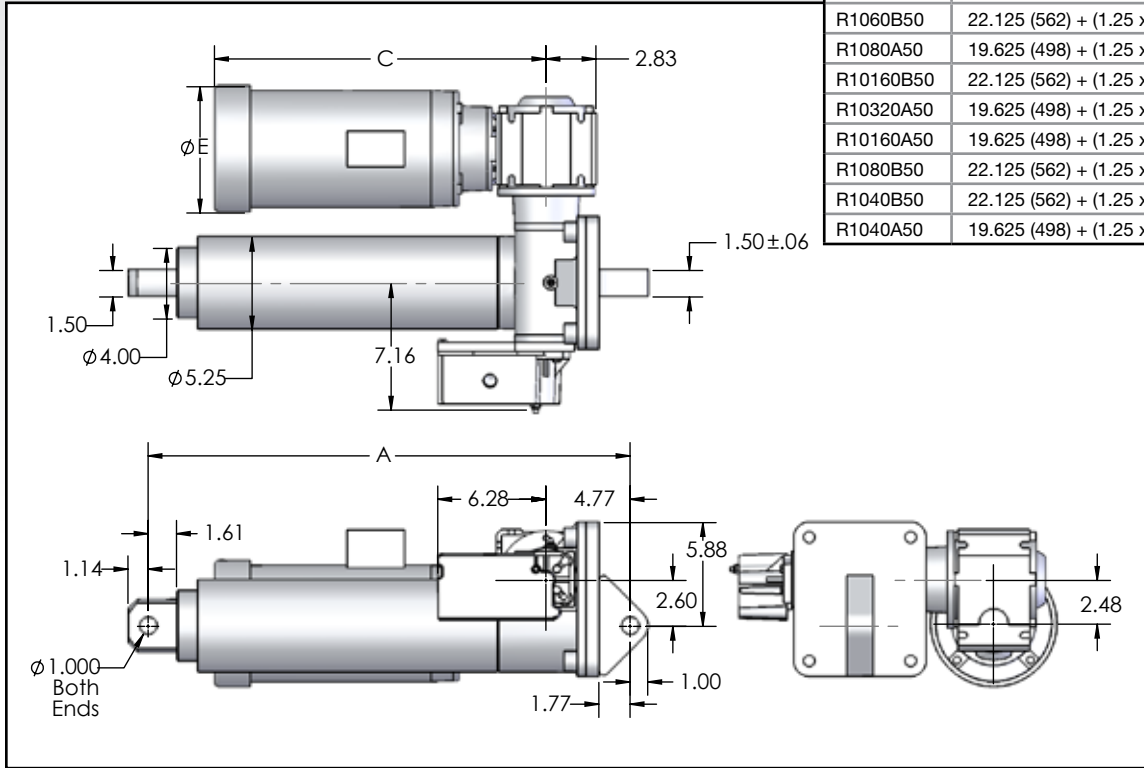
- Food grade component options available
- Explosion proof motor and limit switch (see pages 20-21)
- Product designs for outdoor applications
- Manual override
- Other special packages are available upon your application needs

#### PRODUCT INFORMATION

Part Number	Rated Load		Standard Stroke Length		Retracted Length	Speed at Rated Load		Max Stroke		Motor	
	lbs	N	in	mm	in (mm)	in/min	mm/s	in	mm	HP	kW
W1008B50	11,000	48,930	6, 12, 18, 24, 36	152, 304, 457, 609, 914	22.125 (562) + (1.25 x Stroke)	108	46	108	2743	5	3.68
W1012B50	9600	42,702			22.125 (562) + (1.25 x Stroke)	72	30	108	2743	3	2.21
R1040A50	20,000	88,964			19.625 (489) + (1.25 x Stroke)	21.6	9	68	1727	5	3.68
R1040B50	20,000	88,964			22.125 (562) + (1.25 x Stroke)	21.6	9	108	2743	2	1.47
R1060B50	16,200	72,058			22.125 (562) + (1.25 x Stroke)	14.4	6	108	2743	1	0.74
R1080B50	20,000	88,964			22.125 (562) + (1.25 x Stroke)	10.8	5	108	2743	1	0.74
R1080A50	17,150	76,284			19.625 (489) + (1.25 x Stroke)	10.8	5	74	1880	2	1.47
R10160B50	19,100	84,957			22.125 (562) + (1.25 x Stroke)	5.4	2	108	2743	1/2	0.37
R10160A50	20,000	88,964			19.625 (489) + (1.25 x Stroke)	5.4	2	68	1752	1-1/2	1.10
R10320A50	19,100	84,957			19.625 (489) + (1.25 x Stroke)	2.7	1	70	1778	3/4*	0.55

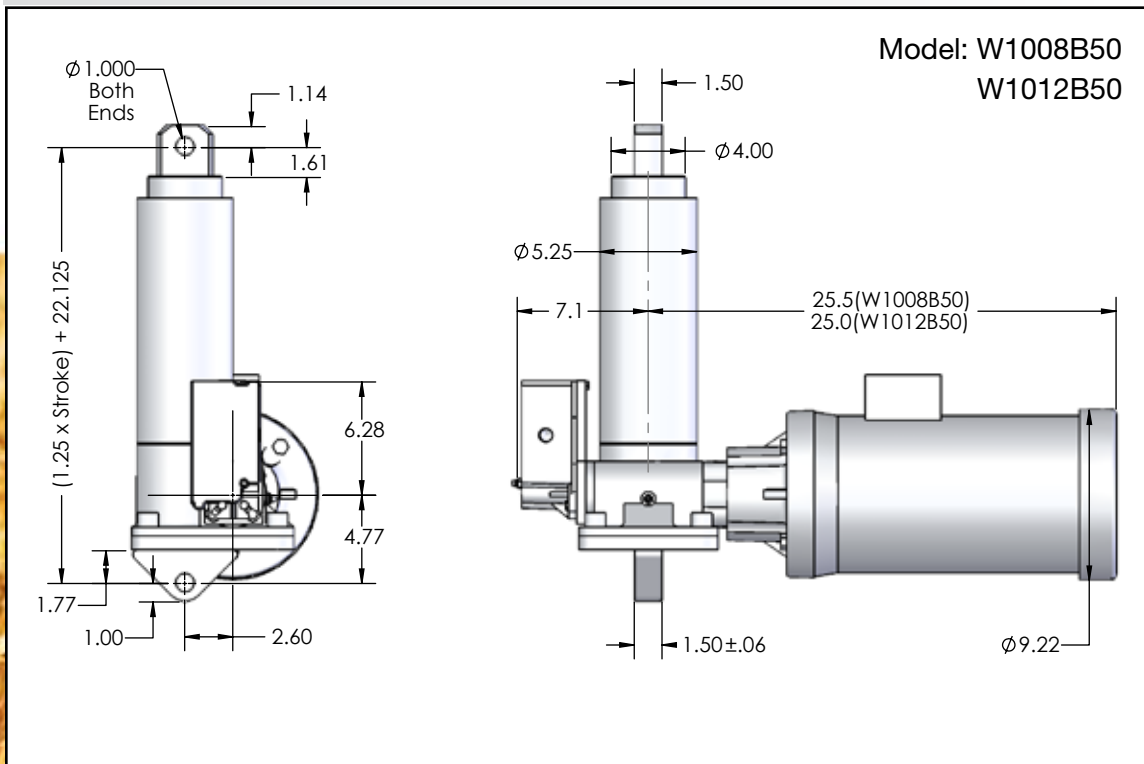
\*NOTE: Models with asterisk by motor HP are inherently load holding. Motor brake may be omitted if slight drift is acceptable. Slight drift is not detrimental. Consult the factory for additional speeds and capacities. Stroke lengths are available in 1 inch increments, please contact factory for details.

## PARALLEL MOTOR



Model	A	C	E
W1012B50	22.125 (562) + (1.25 x Stroke)	21.20	7.16
W1008B50	22.125 (562) + (1.25 x Stroke)	23.01	9.22
R1060B50	22.125 (562) + (1.25 x Stroke)	18.35	7.16
R1080A50	19.625 (498) + (1.25 x Stroke)	21.20	7.16
R10160B50	22.125 (562) + (1.25 x Stroke)	17.85	7.16
R10320A50	19.625 (498) + (1.25 x Stroke)	17.85	7.16
R10160A50	19.625 (498) + (1.25 x Stroke)	20.20	7.16
R1080B50	22.125 (562) + (1.25 x Stroke)	18.35	7.16
R1040B50	22.125 (562) + (1.25 x Stroke)	21.20	7.16
R1040A50	19.625 (498) + (1.25 x Stroke)	23.01	9.22

## RIGHT ANGLE MOTOR



Model: W1008B50  
W1012B50