

SERIES

SCW05 HAZARDOUS RATED

5 TON (44.4 kN)

- SPEED:** Up to 136 in/min (58 mm/s)
- BRAKE MOTOR:** 230/460 VAC, 3 ph, 60 Hz
Class 1, Group D and Class 2, Group F & G
- STROKES:** Up to 79 in (2007 mm)
- TEMPERATURE RANGE:** 0°F to 120°F (-18°C to 50°C)*



*For other temperatures please consult the factory

FEATURES & BENEFITS

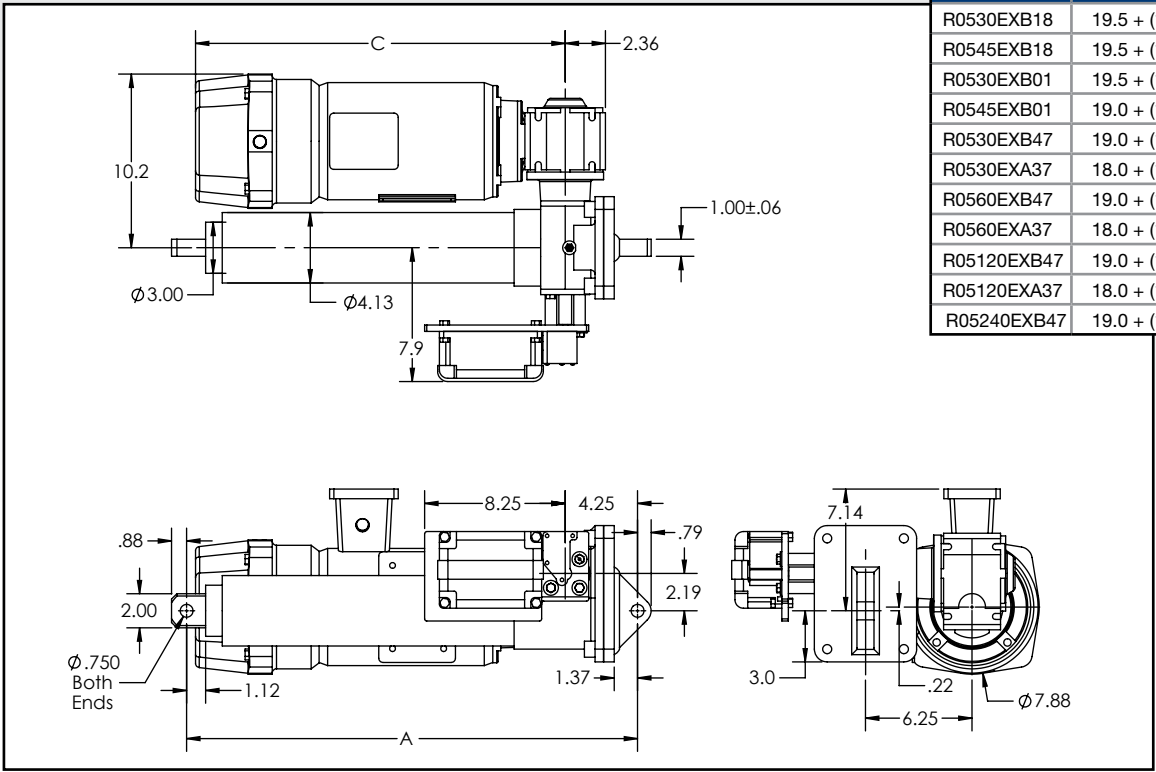
- Easy to install - reduces installation costs
- Custom designed for your application
- Low maintenance design - easy to maintain after installation
- Long product life expectancy
- Ball screw or acme screw
- Ductile iron housing
- Chrome plated translating tube
- Adjustable end of stroke limit switches
- Double clevis mounting
- Motor rated for Class 1, Group D and Class 2, Groups F & G
- Limit switches rated for NEMA 7/Class 1, Group D or NEMA 9/Class 2, Groups E, F & G.
Specify when ordering.

PRODUCT INFORMATION

Part Number	Rated Load		Standard Stroke Length		Retracted Length in (mm)	Speed at Rated Load		Max Stroke		Motor		Screw Type	Configu- ration	Mounting
	lbs	N	in	mm		in/min	mm/s	in	mm	HP	kW			
W0506EXB47	5850	26,022	6, 12, 18, 24, 36	152, 304, 459, 609, 914	19.0 (482) + (1.25 x Stroke)	136	58	79.0	2007	3	2.24	Ball	Right Angle	Clevis
R0530EXB01	4000	17,793			19.0 (482) + (1.25 x Stroke)	57.5	24	79.0	2007	1	0.75	Ball	Parallel	Clevis
R0530EXB47	9200	40,924			19.0 (482) + (1.25 x Stroke)	27.2	12	64.2	1631	1	0.75	Ball	Parallel	Clevis
R0530EXA37	3700	16,458			18.0 (457) + (1.25 x Stroke)	21.5	9	77.8	1976	1	0.75	Acme	Parallel	Clevis
R0560EXB47	8900	39,589			19.0 (482) + (1.25 x Stroke)	13.6	6	65.3	1659	1/2	0.37	Ball	Parallel	Clevis
R05120EXA37	9800	43,593			18.0 (457) + (1.25 x Stroke)	5.4	2	57.9	1471	3/4*	0.56	Acme	Parallel	Clevis

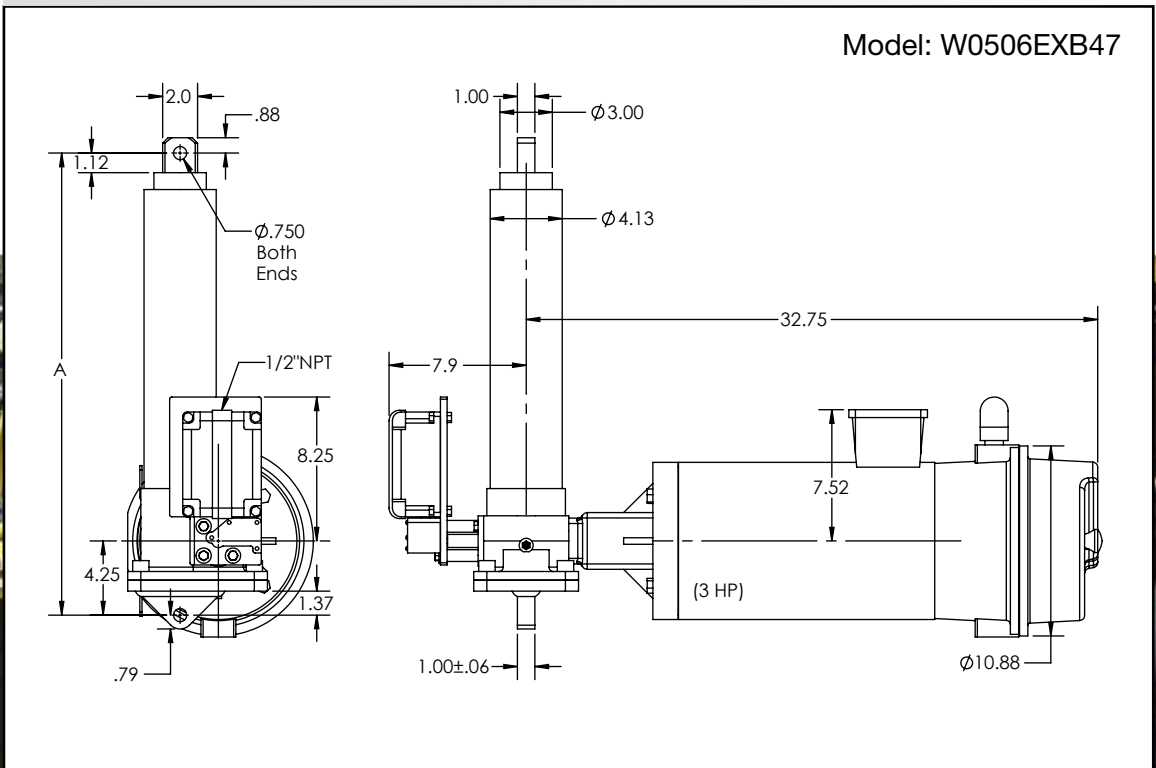
*NOTE: Models with asterisk by motor HP are inherently load holding. Motor brake may be omitted if slight drift is acceptable. Slight drift is not detrimental. Consult the factory for additional speeds and capacities. Stroke lengths are available in 1 inch increments, please contact factory for details.

PARALLEL MOTOR



Model	A	C
R0530EXB18	19.5 + (1.25 x Stroke)	21.75
R0545EXB18	19.5 + (1.25 x Stroke)	21.75
R0530EXB01	19.5 + (1.25 x Stroke)	21.75
R0545EXB01	19.0 + (1.25 x Stroke)	21.75
R0530EXB47	19.0 + (1.25 x Stroke)	21.75
R0530EXA37	18.0 + (1.25 x Stroke)	21.75
R0560EXB47	19.0 + (1.25 x Stroke)	21.75
R0560EXA37	18.0 + (1.25 x Stroke)	21.75
R05120EXB47	19.0 + (1.25 x Stroke)	21.75
R05120EXA37	18.0 + (1.25 x Stroke)	21.75
R05240EXB47	19.0 + (1.25 x Stroke)	21.75

RIGHT ANGLE MOTOR



Model: W0506EXB47