

# SERIES

## SCW05

### 5 TON (44.4 kN)

**SPEED:** Up to 136 in/min (58 mm/s)

**BRAKE MOTOR:** 230/460 VAC, 3 ph, 60 Hz

**STROKES:** Up to 79 in (2006 mm)

**TEMPERATURE RANGE:** 0°F to 120°F (-18°C to 50°C)\*

\*For other temperatures please consult the factory



#### FEATURES & BENEFITS

- Easy to install - reduces installation costs
- Custom designed for your application
- Low maintenance design - easy to maintain after installation
- Long product life expectancy
- Ball screw or acme screw
- Ductile iron housing
- Chrome plated translating tube
- Adjustable end of stroke limit switches
- Double clevis mounting

#### OPTIONS

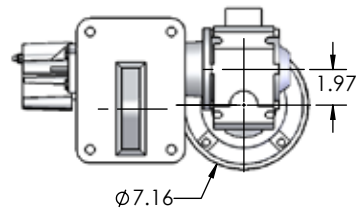
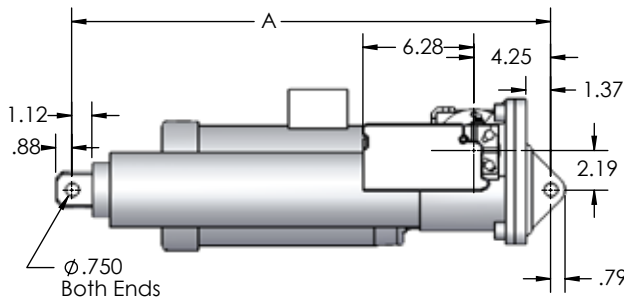
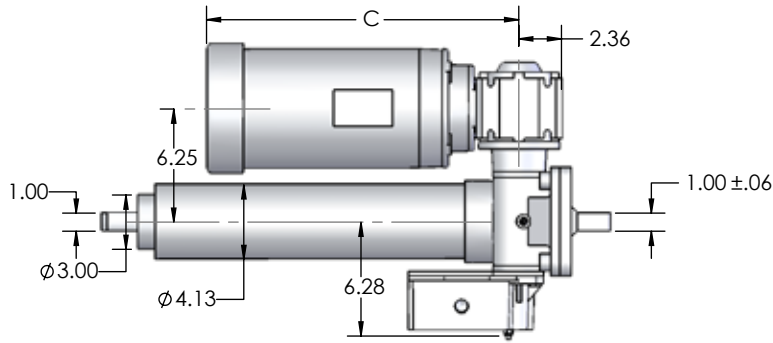
- Food grade component options available
- Explosion proof motor and limit switch (See pages 16-17)
- Product designs for outdoor applications
- Manual override
- Other special packages are available upon your application needs

#### PRODUCT INFORMATION

Part Number	Rated Load		Standard Stroke Length		Retracted Length	Speed at Rated Load		Max Stroke		Motor	
	lbs	N	in	mm	in (mm)	in/min	mm/s	in	mm	HP	kW
W0506B47	5850	26,022	6, 12, 18, 24, 36	152, 304, 457, 609, 914	19.0 (482) + (1.25 x Stroke)	136	58	79	2006	3	2.24
R0530B18	6400	28,467			19.5 (495) + (1.25 x Stroke)	108	46	76	1930	3	2.24
R0545B18	9280	41,279			19.5 (495) + (1.25 x Stroke)	72	30	62	1572	3	2.24
R0530B01	8000	35,585			19.0 (482) + (1.25 x Stroke)	57.5	24	68	1727	2	1.49
R0545B01	8700	38,698			19.0 (482) + (1.25 x Stroke)	38.3	16	66	1676	1-1/2	1.12
R0530B47	9100	40,477			19.0 (482) + (1.25 x Stroke)	27.2	12	64	1625	1	0.75
R0530A37	10,000	44,482			18.0 (457) + (1.25 x Stroke)	21.5	9	57	1447	3	2.24
R0545B47	9900	44,036			19.0 (482) + (1.25 x Stroke)	18.1	8	61	1549	3/4	0.56
R0560B47	8600	38,253			19.0 (482) + (1.25 x Stroke)	13.6	6	66	1676	1/2	0.37
R0560A37	10,000	44,482			18.0 (457) + (1.25 x Stroke)	10.8	5	57	1447	1-1/2	1.10
R05120B47	10,000	44,482			18.0 (457) + (1.25 x Stroke)	6.8	3	61	1549	1/3	0.25
R05120A37	9300	41,367			18.0 (482) + (1.25 x Stroke)	5.4	2	59	1499	3/4*	0.55
R05240B47	10,000	44,482			19.0 (482) + (1.25 x Stroke)	3.4	1	61	1549	1/4	0.18

\*NOTE: Models with asterisk by motor HP are inherently load holding. Motor brake may be omitted if slight drift is acceptable. Slight drift is not detrimental. Consult the factory for additional speeds and capacities. Stroke lengths are available in 1 inch increments, please contact factory for details.

## PARALLEL MOTOR



Model	A	C
W0506B47	19.0 (482) + (1.25 x Stroke)	21.77
R0530B01	19.0 (482) + (1.25 x Stroke)	20.61
R0530B18	19.0 (482) + (1.25 x Stroke)	21.77
R0560B47	19.0 (482) + (1.25 x Stroke)	17.26
R0530B47	19.0 (482) + (1.25 x Stroke)	17.26
R0545B01	19.0 (482) + (1.25 x Stroke)	19.61
R0545B18	19.5 (495) + (1.25 x Stroke)	21.77
R05240B47	19.0 (482) + (1.25 x Stroke)	15.76
R05120A37	18.0 (482) + (1.25 x Stroke)	17.26
R05120B47	18.0 (457) + (1.25 x Stroke)	15.76
R0560A37	18.0 (457) + (1.25 x Stroke)	19.61
R0545B47	19.0 (482) + (1.25 x Stroke)	17.26
R0530A37	18.0 (457) + (1.25 x Stroke)	21.77

## RIGHT ANGLE MOTOR

Model: W0506B47

