

SERIES

SCW02 & SCW03 HAZARDOUS RATED

2 & 3 TON (17 & 26.6 kN)

SPEED:	Up to 119 in/min (50 mm/s)
BRAKE MOTOR:	230/460 VAC, 3 ph, 60 Hz Class 1, Group D and Class 2, Group F & G
STROKES:	Up to 61.5 in (1562 mm)
TEMPERATURE RANGE:	0°F to 120°F (-18°C to 50°C)*



*For other temperatures please consult the factory

FEATURES & BENEFITS

- Easy to install - reduces installation costs
- Custom designed for your application
- Low maintenance design - easy to maintain after installation
- Long product life expectancy
- Ball screw or acme screw
- Ductile iron housing
- Chrome plated translating tube
- Adjustable end of stroke limit switches
- Double clevis mounting
- **Motor rated for Class 1, Group D and Class 2, Groups F & G**
- **Limit switches rated for NEMA 7/Class 1, Group D or NEMA 9/Class 2, Groups E, F & G.**

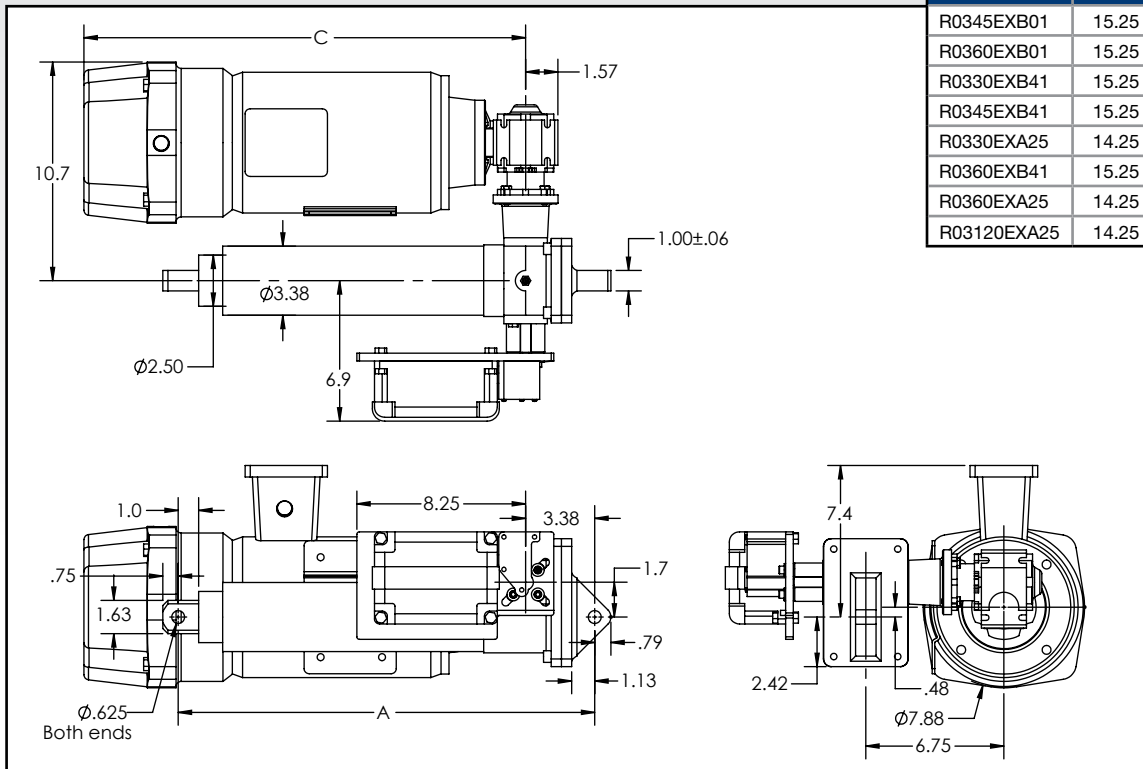
Specify when ordering.

PRODUCT INFORMATION

Part Number	Rated Load		Standard Stroke Length		Retracted Length in (mm)	Speed at Rated Load		Max Stroke		Motor		Screw Type	Configu-ration	Mounting
	lbs	N	in	mm		in/min	mm/s	in	mm	HP	kW			
SCW02														
W0206EXA25	1180	5249	6, 12, 18, 24, 36	152, 304, 459, 609, 914	14.25 (362) + (1.25 x stroke)	72	30	51.6	1311	1	0.75	Acme	Right Angle	Clevis
W0206EXB25	3280	14,590			15.25 (387) + (1.25 x stroke)	72	30	58.4	1483	1	0.75	Ball	Right Angle	Clevis
W0224EXB25	3500	15,569			15.25 (387) + (1.25 x stroke)	18	8	56.5	1435	1/2	0.37	Ball	Right Angle	Clevis
SCW03														
W0306EXB41	2150	9564	6, 12, 18, 24, 36	152, 304, 459, 609, 914	15.25 (387) + (1.25 x stroke)	119	50	61.5	1562	1	0.75	Ball	Right Angle	Clevis
R0330EXB01	3600	16,014			15.25 (387) + (1.25 x stroke)	57.5	24	55.7	1415	1	0.75	Ball	Parallel	Clevis
R0345EXB01	3040	13,523			15.25 (387) + (1.25 x stroke)	38.3	16	59.4	1508	1/2	0.37	Ball	Parallel	Clevis
R0360EXB01	3480	15,480			15.25 (387) + (1.25 x stroke)	28.8	12	56.7	1439	1/2	0.37	Ball	Parallel	Clevis
R0345EXB41	6000	26,688			15.25 (387) + (1.25 x stroke)	15.8	7	46.3	1176	1/2	0.37	Ball	Parallel	Clevis
R0330EXA25	5330	23,709			14.25 (362) + (1.25 x stroke)	14.4	6	34.6	878	1	0.75	Acme	Parallel	Clevis
R0360EXA25	5100	22,686			14.25 (362) + (1.25 x stroke)	7.2	3	35.4	898	1/2*	0.37	Acme	Parallel	Clevis

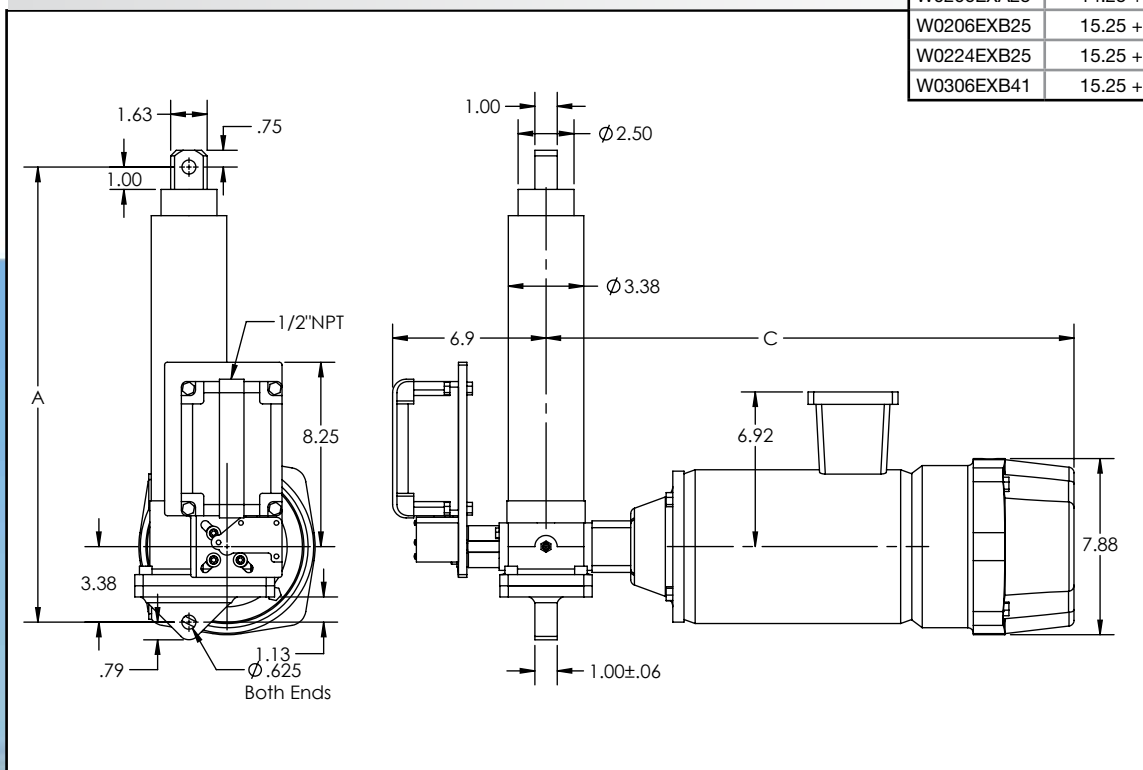
*NOTE: Models with asterisk by motor HP are inherently load holding. Motor brake may be omitted if slight drift is acceptable. Slight drift is not detrimental. Consult the factory for additional speeds and capacities. Stroke lengths are available in 1 inch increments, please contact factory for details

PARALLEL MOTOR



Model	A	C
R0345EXB01	15.25 + (1.25 x Stroke)	21.58
R0360EXB01	15.25 + (1.25 x Stroke)	21.58
R0330EXB41	15.25 + (1.25 x Stroke)	21.58
R0345EXB41	15.25 + (1.25 x Stroke)	21.58
R0330EXA25	14.25 + (1.25 x Stroke)	21.58
R0360EXB41	15.25 + (1.25 x Stroke)	21.58
R0360EXA25	14.25 + (1.25 x Stroke)	21.58
R03120EXA25	14.25 + (1.25 x Stroke)	21.58

RIGHT ANGLE MOTOR



Model	A	C
W0206EXA25	14.25 + (1.25 x stroke)	19.2
W0206EXB25	15.25 + (1.25 x stroke)	19.2
W0224EXB25	15.25 + (1.25 x stroke)	19.2
W0306EXB41	15.25 + (1.25 x stroke)	19.2