

SERIES

SCW02 & SCW03

2 & 3 TON (17 & 26.6 kN)

SPEED:	Up to 119 in/min (50 mm/s)
BRAKE MOTOR:	230/460 VAC, 3 ph, 60 Hz
STROKES:	Up to 59 in (1498 mm)
TEMPERATURE RANGE:	0°F to 120°F (-18°C to 50°C)*

*For other temperatures please consult the factory



FEATURES & BENEFITS

- Easy to install - reduces installation costs
- Custom designed for your application
- Low maintenance design - easy to maintain after installation
- Long product life expectancy
- Ball screw or acme screw
- Ductile iron housing
- Chrome plated translating tube
- Adjustable end of stroke limit switches
- Double clevis mounting

OPTIONS

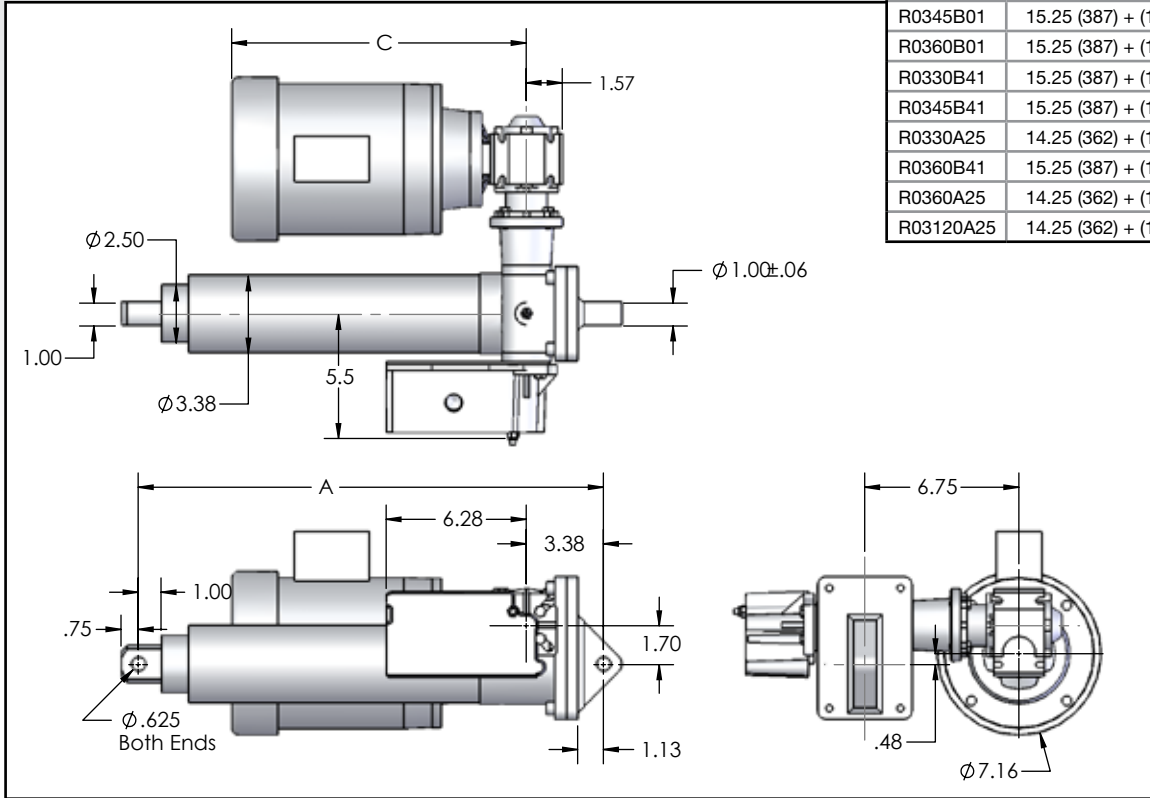
- Food grade component options available
- Explosion proof motor and limit switch (see pages 12-13)
- Product designs for outdoor applications
- Manual override
- Other special packages are available depending upon your application needs

PRODUCT INFORMATION

Part Number	Rated Load		Standard Stroke Length		Retracted Length	Speed at Rated Load		Max Stroke		Motor	
	lbs	N	in	mm	in (mm)	in/min	mm/s	in	mm	HP	kW
SCW02											
W0206A25	2360	10,497	6, 12, 18, 24, 36	152, 304, 457, 609, 914	14.25 (362) + (1.25 x stroke)	72	30	51.6	1311	2	1.49
W0206B25	3280	14,590			15.25 (387) + (1.25 x stroke)	72	30	58.4	1483	1	0.74
W0212A25	1300	5782			15.25 (387) + (1.25 x stroke)	36	15	51.6	1311	3/4*	0.56
W0212B25	4000	17,792			15.25 (387) + (1.25 x stroke)	36	15	52.9	1344	3/4	0.55
W0224B25	3500	15,568			15.25 (387) + (1.25 x stroke)	18	8	56.5	1435	1/2	0.37
SCW03											
W0306B41	4300	19,127	6, 12, 18, 24, 36	152, 304, 457, 609, 914	15.25 (387) + (1.25 x stroke)	119	50	54	1371	2	1.49
R0330B01	3900	17,347			15.25 (387) + (1.25 x stroke)	57.5	24	53	1473	1	0.74
R0345B01	2800	12,454			15.25 (387) + (1.25 x stroke)	38.3	16	59	1344	1/2	0.37
R0360B01	3600	16,012			15.25 (387) + (1.25 x Stroke)	28	12	55	1397	1/2	0.37
R0330B41	6000	26,689			15.25 (387) + (1.25 x stroke)	23.8	10	46	1168	3/4	0.56
R0345B41	4500	20,016			15.25 (387) + (1.25 x Stroke)	15.8	7	53	1346	1/3	0.25
R0330A25	5300	23,575			14.25 (362) + (1.25 x stroke)	14.4	6	34	863	1	0.74
R0360B41	5700	25,354			15.25 (387) + (1.25 x stroke)	11.9	5	47	1193	1/3	0.25
R0360A25	4860	21,617			14.25 (362) + (1.25 x stroke)	7.2	3	36	914	1/2*	0.37
R03120A25	5440	24,197			14.25 (362) + (1.25 x stroke)	3.6	2	34	863	1/3*	0.25

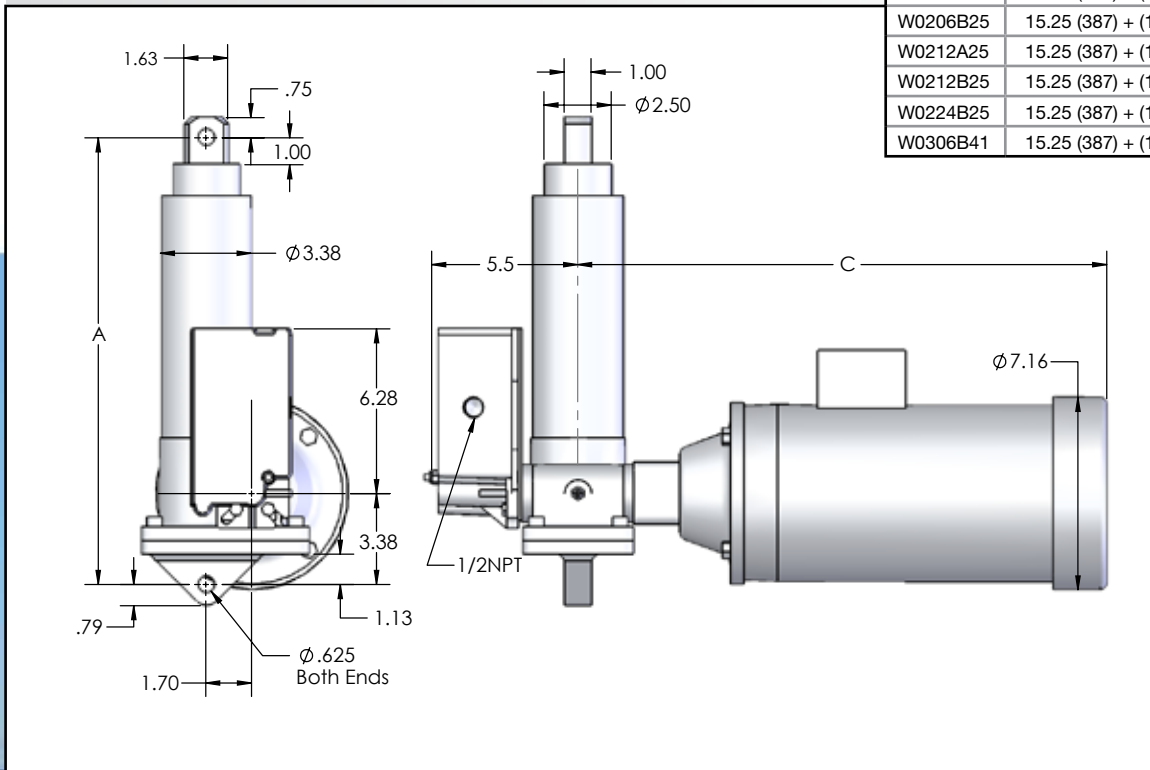
*NOTE: Models with asterisk by motor HP are inherently load holding. Motor brake may be omitted if slight drift is acceptable. Slight drift is not detrimental. Consult the factory for additional speeds and capacities. Stroke lengths are available in 1 inch increments, please contact factory for details.

PARALLEL MOTOR



Model	A	C
R0330B01	15.25 (387) + (1.25 x Stroke)	17.64
R0345B01	15.25 (387) + (1.25 x Stroke)	17.14
R0360B01	15.25 (387) + (1.25 x Stroke)	17.14
R0330B41	15.25 (387) + (1.25 x Stroke)	17.14
R0345B41	15.25 (387) + (1.25 x Stroke)	15.64
R0330A25	14.25 (362) + (1.25 x Stroke)	17.64
R0360B41	15.25 (387) + (1.25 x Stroke)	15.64
R0360A25	14.25 (362) + (1.25 x Stroke)	17.14
R03120A25	14.25 (362) + (1.25 x Stroke)	17.64

RIGHT ANGLE MOTOR



Model	A	C
W0206A25	14.25 (362) + (1.25 x Stroke)	22.1
W0206B25	15.25 (387) + (1.25 x Stroke)	19.7
W0212A25	15.25 (387) + (1.25 x Stroke)	19.2
W0212B25	15.25 (387) + (1.25 x Stroke)	19.2
W0224B25	15.25 (387) + (1.25 x Stroke)	19.2
W0306B41	15.25 (387) + (1.25 x Stroke)	22.1