

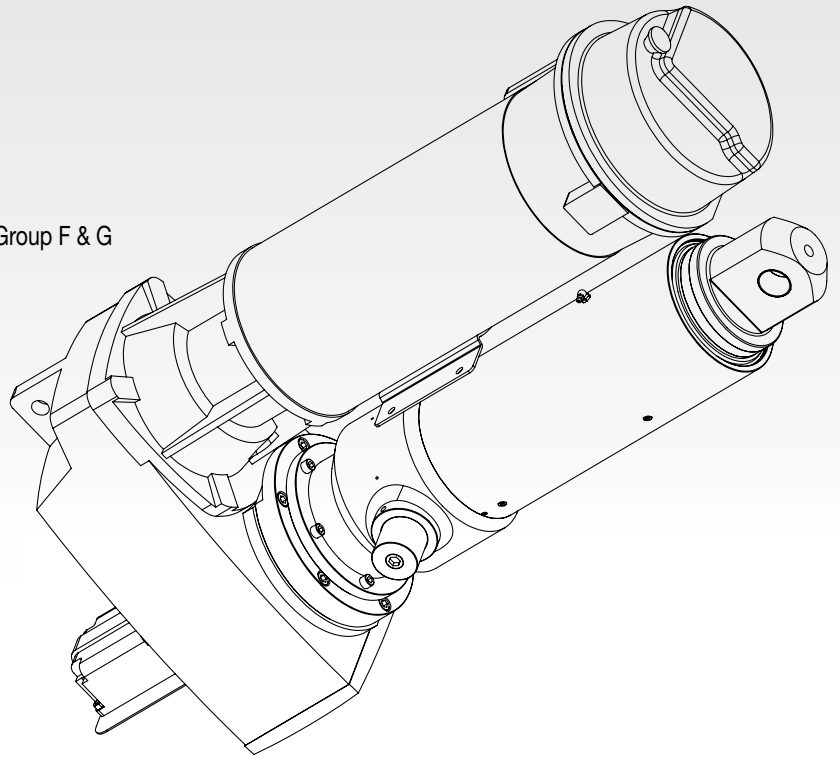
SERIES

SCN25 HAZARDOUS RATED

25 TON (222 kN)

SPEED:	Up to 259.7 in/min (110 mm/s)
BRAKE MOTOR:	230/460 VAC, 3 ph, 60 Hz Class 1, Group D and Class 2, Group F & G
STROKES:	Up to 161 in (4089 mm)
TEMPERATURE RANGE:	0°F to 120°F (-18°C to 50°C)*

*For other temperatures please consult the factory

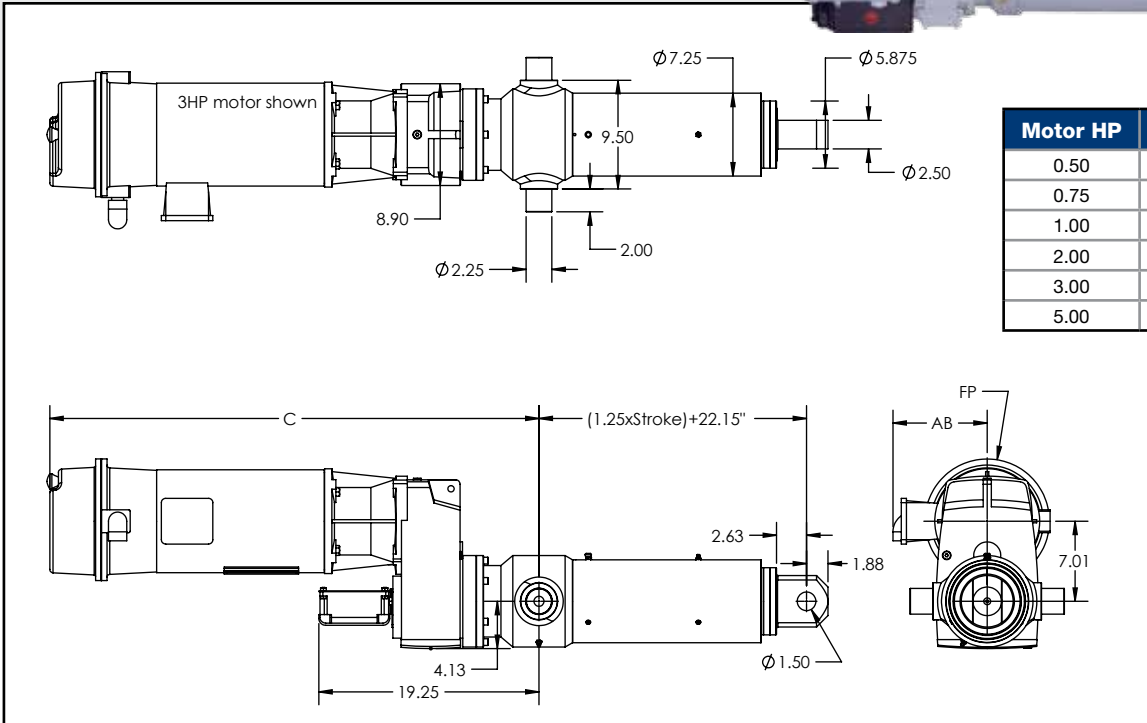


FEATURES & BENEFITS

- Easy to install - reduces installation costs
 - Custom designed for your application
 - Low maintenance design - easy to maintain after installation
 - Long product life expectancy
 - Ball screw
 - Ductile iron housing
 - Chrome plated translating tube
 - Adjustable end of stroke limit switches
 - Clevis and trunnion mounting
 - Motor configuration include: parallel, right angle and OFFSET
 - **Motor rated for Class 1, Group D and Class 2, Groups F & G**
 - **Limit switches rated for NEMA 7/Class 1, Group D or NEMA 9/Class 2, Groups E, F & G.**
- Specify when ordering.**



OFFSET MOTOR



Motor HP	C	FP	AB
0.50	34.2	7.88	6.92
0.75	34.2	7.88	6.92
1.00	34.2	7.88	6.92
2.00	39.4	10.88	8.25
3.00	42.8	10.88	8.25
5.00	45.9	10.88	8.25

PRODUCT INFORMATION

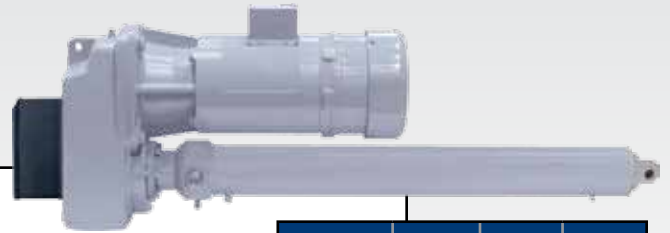
Part Number	Rated Load		Standard Stroke Lengths		Retracted Length	Speed		Max Stroke		Motor	
	lbs	N	in	mm	in (mm)	in/min	mm/s	in	mm	HP	kW
NZ25EX-0448	7003	31,149	6, 12, 18, 24, 36	152, 304, 459, 609, 914	22.15 (562) + (1.25 x Stroke)	250.4	106	157	3988	5	3.73
NZ25EX-0568	8878	39,493				197.5	84	157	3988	5	3.73
NZ25EX-0670	10,473	46,585				167.5	71	157	3988	5	3.73
NZ25EX-0831	12,989	57,779				135.0	57	157	3988	5	3.73
NZ25EX-0980	15,318	68,139				114.5	48	157	3988	5	3.73
NZ25EX-1138	17,788	79,125				98.6	42	157	3988	5	3.73
NZ25EX-1411	22,055	98,106				79.5	34	157	3988	5	3.73
NZ25EX-1667	26,057	115,906				67.3	28	157	3988	5	3.73
NZ25EX-2018	31,543	140,311				55.6	24	157	3988	5	3.73
NZ25EX-2138	33,419	148,654				52.5	22	159	4039	5	3.73
NZ25EX-2245	35,091	156,094				50.0	21	155	3937	5	3.73
NZ25EX-2371	22,236	98,913				47.3	20	161	4089	3	2.24
NZ25EX-2588	24,272	107,966				43.4	17	161	4089	3	2.24
NZ25EX-2870	26,916	119,730				39.1	15	161	4089	3	2.24
NZ25EX-3139	29,946	133,205				35.1	15	161	4089	3	2.24
NZ25EX-3777	35,423	157,568				29.7	13	154	3912	3	2.24
NZ25EX-4202	39,409	175,298				26.7	11	146	3708	3	2.24
NZ25EX-4485	42,063	187,104				25.0	11	142	3607	3	2.24
NZ25EX-5297	49,678	220,979				21.2	9	130	3302	3	2.24
NZ25EX-10088	31,537	140,283				11.1	5	157	3988	1	0.75
NZ25EX-11223	35,085	156,066	10.0	4	156	3962	1	0.75			
NZ25EX-12693	38,681	176,508	8.8	4	146	3708	1	0.75			
NZ25EX-16146	50,000	222,411	6.9	3	129	3277	1	0.75			
NZ25EX-28714	44,883	199,647	3.9	2	137	3480	0.5	0.37			

Consult the factory for additional speeds and capacities. Stroke lengths are available in 1 inch increments, please contact the factory for details.

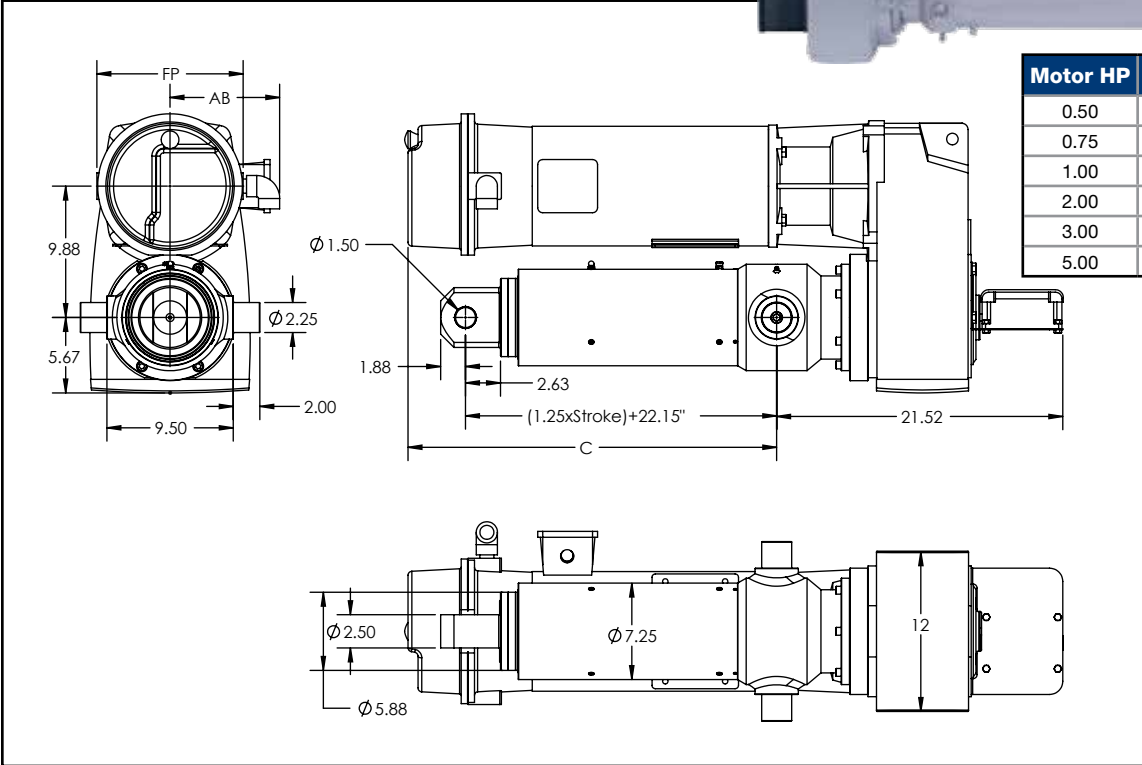
SERIES

SCN25 HAZARDOUS RATED

25 TON (222 kN)



PARALLEL MOTOR



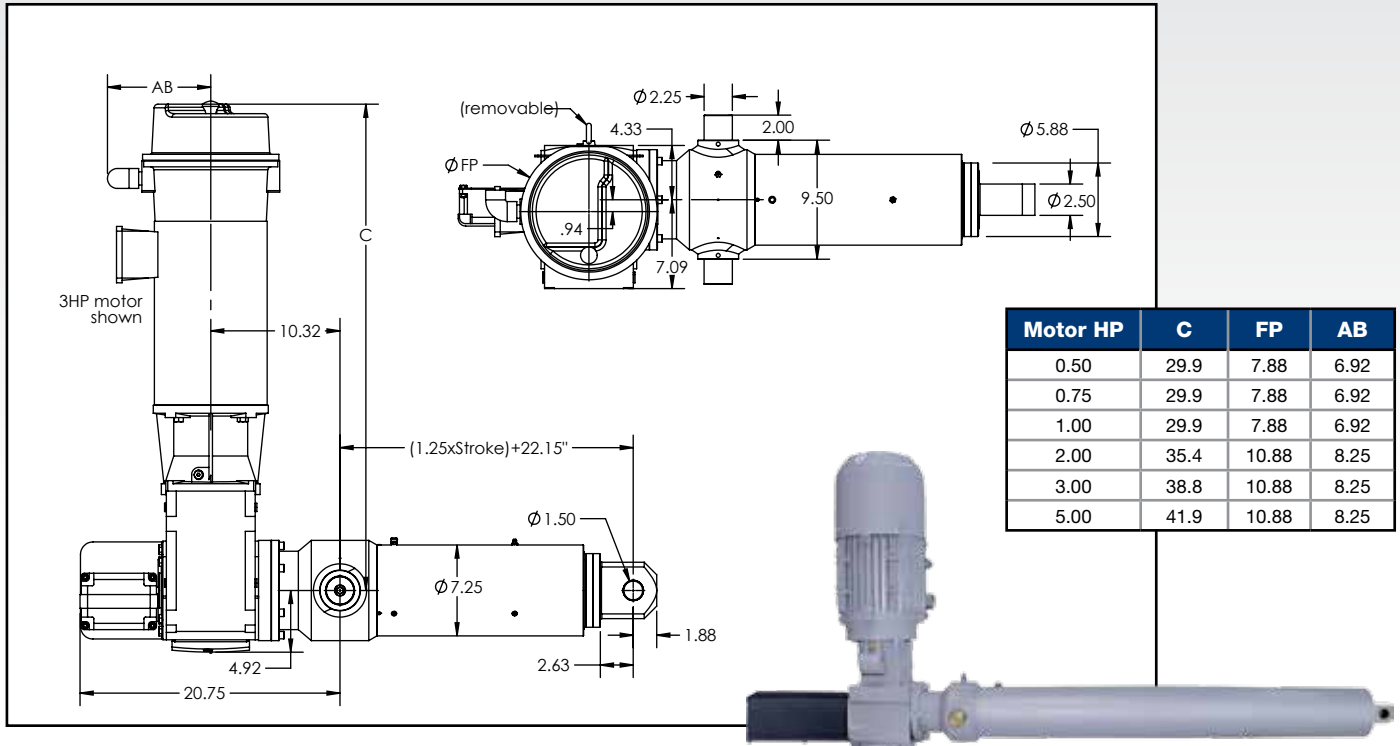
Motor HP	C	FP	AB
0.50	14.5	7.88	6.92
0.75	14.5	7.88	6.92
1.00	14.5	7.88	6.92
2.00	21.25	10.88	8.25
3.00	24.7	10.88	8.25
5.00	27.75	10.88	8.25

PRODUCT INFORMATION

Part Number	Rated Load		Standard Stroke Lengths		Retracted Length	Speed		Max Stroke		Motor	
	lbs	N	in	mm	in (mm)	in/min	mm/min	in	mm	HP	kW
NU25EX-0432	6753	30,037				259.7	110	157	3988	5	3.73
NU25EX-0501	7831	34,834				224.0	95	157	3988	5	3.73
NU25EX-0529	8269	36,781				212.1	90	157	3988	5	3.73
NU25EX-0571	8925	39,701				196.5	83	157	3988	5	3.73
NU25EX-0633	9894	44,012				177.3	75	157	3988	5	3.73
NU25EX-0717	11,207	49,853				156.5	66	157	3988	5	3.73
NU25EX-0870	13,599	60,491				129.0	55	157	3988	5	3.73
NU25EX-0946	14,787	65,775				118.6	50	157	3988	5	3.73
NU25EX-1071	16,741	74,466				104.8	44	157	3988	5	3.73
NU25EX-1300	20,320	90,389				86.3	37	157	3988	5	3.73
NU25EX-1538	24,040	106,937	6, 12, 18, 24, 36	152, 304, 459, 609, 914	22.15 (562) + (1.25 x Stroke)	73.0	31	157	3988	5	3.73
NU25EX-1759	27,495	122,303				63.8	27	157	3988	5	3.73
NU25EX-1888	29,511	131,272				59.4	25	157	3988	5	3.73
NU25EX-2036	31,824	141,562				55.1	23	157	3988	5	3.73
NU25EX-2500	39,077	173,824				44.9	19	157	3734	5	3.73
NU25EX-3050	28,605	127,239				36.8	16	161	4089	3	2.24
NU25EX-3343	31,352	139,463				33.6	14	161	4089	3	2.24
NU25EX-3546	33,256	147,931				31.6	13	159	4039	3	2.24
NU25EX-4080	38,264	170,209				27.5	12	148	3759	3	2.24
NU25EX-5555	50,000	222,411				20.2	9	127	3226	3	2.24
NU25EX-10019	31,321	139,323				11.2	5	157	3988	1	0.75
NU25EX-13403	41,900	186,381				8.4	4	142	3607	1	0.75

Consult the factory for additional speeds and capacities. Stroke lengths are available in 1 inch increments, please contact the factory for details.

RIGHT ANGLE



PRODUCT INFORMATION

Part Number	Rated Load		Standard Stroke Lengths		Retracted Length	Speed		Max Stroke		Motor	
	lbs	N	in	mm	in (mm)	in/min	mm/s	in	mm	HP	kW
NL25EX-0848	13,255	58,961	6, 12, 18, 24, 36	152, 304, 459, 609, 914	22.15 (562) + (1.25 x Stroke)	132.3	56	157	3988	5	3.75
NL25EX-1073	16,772	74,605				104.6	44	157	3988	5	3.75
NL25EX-1268	19,820	88,164				88.5	37	157	3988	5	3.75
NL25EX-1349	21,086	93,795				83.2	35	157	3988	5	3.75
NL25EX-1573	24,578	109,370				71.3	30	157	3988	5	3.75
NL25EX-1708	26,698	118,757				65.7	28	157	3988	5	3.75
NL25EX-2023	31,621	140,658				55.5	23	161	4089	5	3.75
NL25EX-2391	37,373	166,245				46.9	20	150	3810	5	3.75
NL25EX-2503	39,124	174,033				44.8	19	147	3734	5	3.75
NL25EX-2966	46,361	206,225				37.8	16	135	3429	5	3.75
NL25EX-3561	33,397	148,557				31.5	13	157	3988	3	2.24
NL25EX-3805	35,685	158,736				29.5	12	154	3912	3	2.24
NL25EX-4036	37,852	168,373				27.8	12	149	3785	3	2.24
NL25EX-4770	44,736	198,994				23.5	10	137	3480	3	2.24
NL25EX-4994	46,836	208,339				22.5	10	134	3404	3	2.24
NL25EX-5917	50,000	222,411				19.0	8	123	3124	3	2.24
NL25EX-11077	34,629	154,036				10.1	4	157	3988	1	0.75
NL25EX-11770	36,795	163,673				9.5	4	152	3861	1	0.75
NL25EX-13944	43,591	193,904				8.0	3	139	3531	1	0.75
NL25EX-15874	49,625	220,743				7.1	3	130	3302	1	0.75
NL25EX-18806	50,000	222,441	6.0	3	130	3302	1	0.75			
NL25EX-29585	46,244	205,703	3.8	2	135	3429	0.5	0.37			

Consult the factory for additional speeds and capacities. Stroke lengths are available in 1 inch increments, please contact the factory for details.