

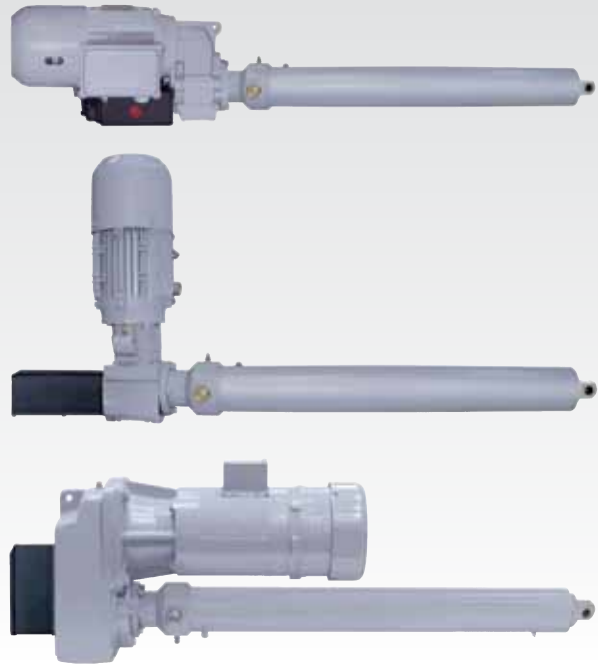
# SERIES

## SCN25

25 TON (222 kN)

SPEED:	Up to 259.7 in/min (110 mm/s)
BRAKE MOTOR:	TEFC 230/460 VAC, 3 ph, 60 Hz
STROKES:	Up to 161 in (4089 mm)
TEMPERATURE RANGE:	0°F to 120°F (-18°C to 50°C)*

\*For other temperatures please consult the factory



### FEATURES & BENEFITS

- Easy to install - reduces installation costs
- Custom designed for your application
- Low maintenance design - easy to maintain after installation
- Long product life expectancy
- Ball screw
- Ductile iron housing
- Chrome plated translating tube
- Adjustable end of stroke limit switches
- Clevis and trunnion mounting
- Motor configuration include: parallel, right angle and OFFSET

### OPTIONS

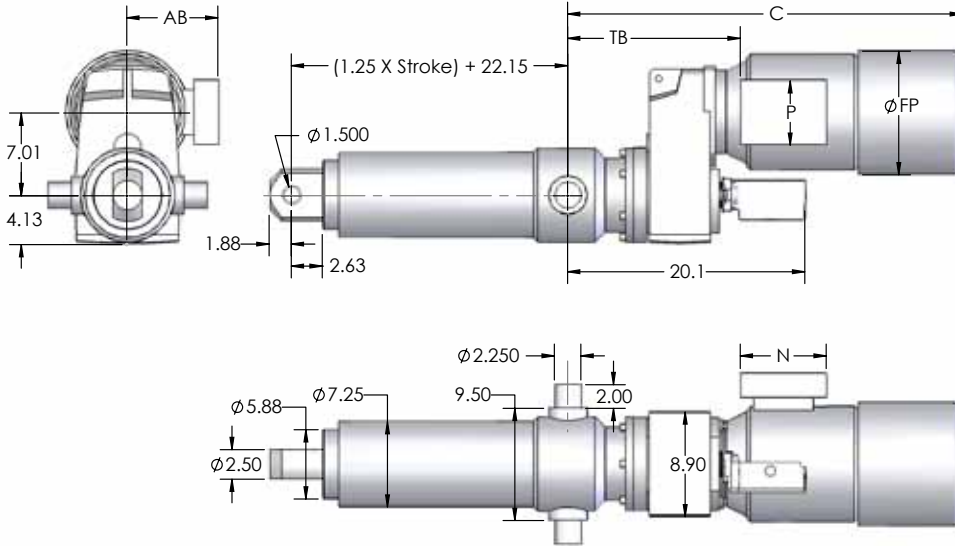
- Food grade component options available
- Explosion proof motor and limit switch (see pages 60-63)
- Product designs for outdoor applications
- Manual override
- Other special packages are available upon your application needs
- Capacities up to 50 tons available in all configurations. Contact Duff-Norton with load and speed requirements for more information





## OFFSET MOTOR

Motor HP	C	FP	AB	TB	N	P
0.33 - 0.50	23.19	5.71	5.24	14.05	5.20	3.43
0.75 - 1.0	24.41	6.50	5.83	14.13	6.02	4.25
1.5 - 2.0	26.45	7.20	5.83	14.33	6.02	4.25
3.0 - 5.0	28.27	7.91	6.26	14.57	6.02	4.25
7.5 - 10	33.19	10.47	7.72	14.37	7.28	5.47



## PRODUCT INFORMATION

Part Number	Rated Load		Standard Stroke Lengths		Retracted Length in (mm)	Speed		Max Stroke		Motor	
	lbs	N	in	mm		in/min	mm/min	in	mm	HP	kW
NZ25-0448	14,005	62,298				250.4	106	161	4089	10	7.40
NZ25-0568	17,757	78,984				197.5	84	161	4089	10	7.40
NZ25-0670	20,945	93,164				167.5	71	161	4089	10	7.40
NZ25-0831	25,979	115,555				135.0	57	161	4089	10	7.40
NZ25-0980	30,637	136,277				114.5	48	161	4089	10	7.40
NZ25-1138	26,628	118,687				98.6	42	161	4089	7-1/2	5.52
NZ25-1411	33,083	147,158				79.5	34	160	4064	7-1/2	5.52
NZ25-1667	26,057	115,907				67.3	28	161	4089	5	3.72
NZ25-2018	31,543	140,304				55.6	24	161	4089	5	3.73
NZ25-2138	33,419	148,649				52.5	22	159	4039	5	3.73
NZ25-2245	35,091	156,092				50.0	21	155	3937	5	3.72
NZ25-2371	22,236	98,910				47.3	20	161	4089	3	2.23
NZ25-2588	24,272	107,963				43.4	18	161	4089	3	2.24
NZ25-2870	26,916	119,723				39.1	17	161	4089	3	2.24
NZ25-3193	29,946	133,201				35.1	15	161	4089	3	2.24
NZ25-3777	35,423	157,563	6, 12, 18, 24, 36	152, 304, 457, 609, 914	22.15 (562) + (1.25 x Stroke)	29.7	13	154	3912	3	2.24
NZ25-4202	39,409	175,292				26.7	11	146	3708	3	2.24
NZ25-4485	42,063	187,098				25.0	11	142	3607	3	2.24
NZ25-5297	49,678	220,977				21.2	9	130	3302	3	2.23
NZ25-6412	40,090	178,328				17.5	7	145	3683	5	1.49
NZ25-7976	49,869	221,819				14.1	6	130	3302	2	1.49
NZ25-8874	50,000	222,409				12.6	5	123	3124	2	1.49
NZ25-10088	47,305	210,422				11.1	5	133	3378	1-1/2	1.12
NZ25-11223	50,000	222,409				10.0	4	127	3225	1-1/2	1.12
NZ25-12693	39,681	176,506				8.8	4	146	3708	1	0.74
NZ25-16146	50,000	222,409				6.9	3	129	3076	1	0.74
NZ25-19069	44,710	198,877				5.9	2	137	3479	3/4	0.56
NZ25-23083	50,000	222,409				4.9	2	125	3175	3/4	0.56
NZ25-28714	44,883	199,645				3.9	2	137	3479	1/2	0.37
NZ25-40858	42,151	187,494				2.7	1	141	3581	1/3	0.25
NZ25-48256	49,783	221,442				2.3	1	130	3302	1/3	0.25

Consult the factory for additional speeds and capacities. Stroke lengths are available in 1 inch increments, please contact the factory for details.



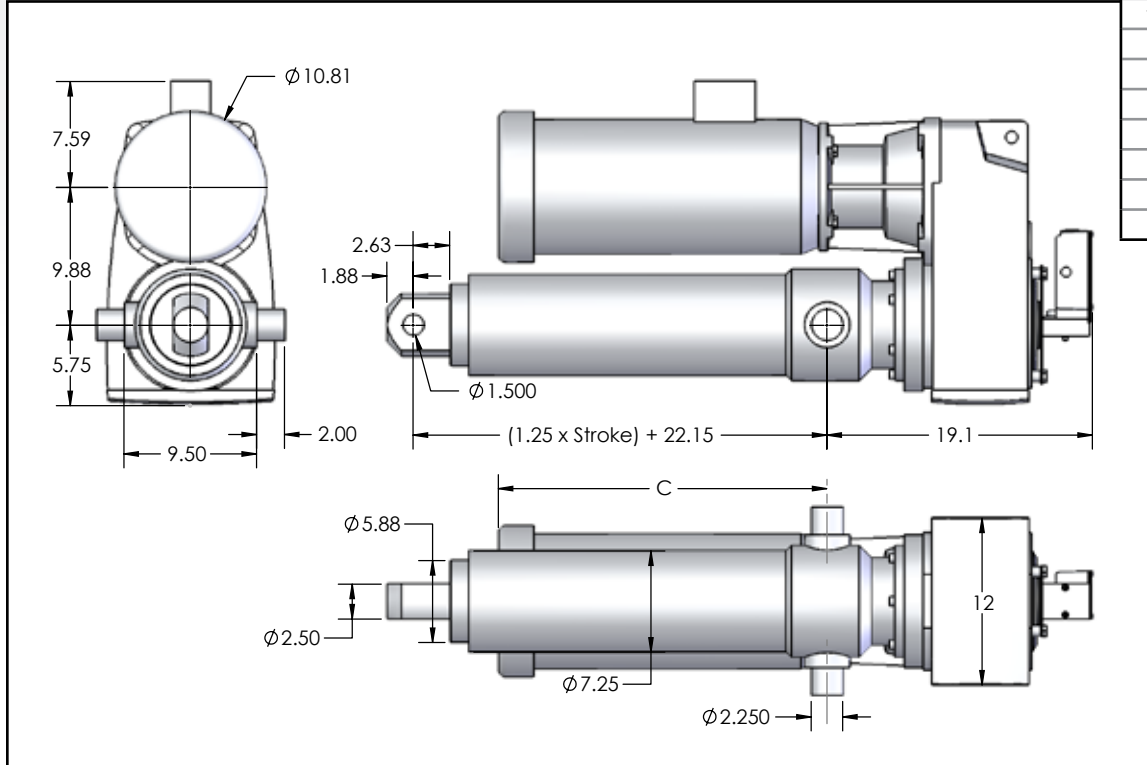
# SERIES

## SCN25

25 TON (222 kN)



### PARALLEL MOTOR

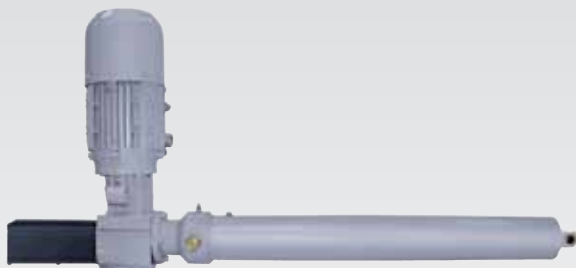


Motor HP	C
1/2 - 3/4	14.12
1	14.82
1-1/2	15.80
2	16.80
3	16.86
5	17.31
7-1/2	22.79
10	25.49

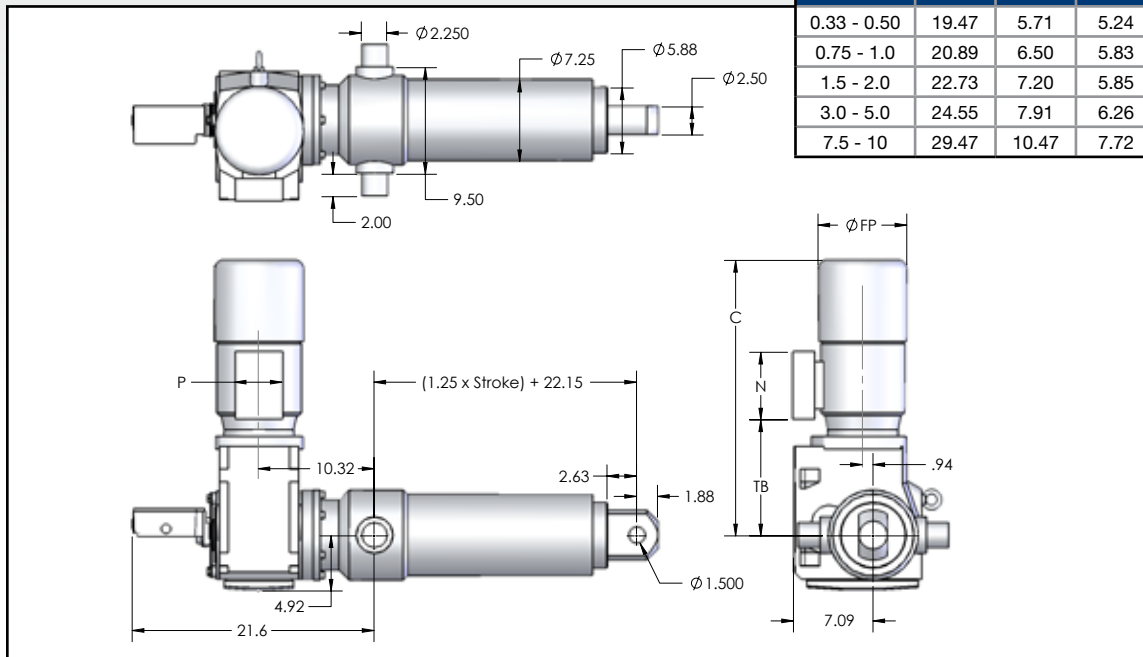
### PRODUCT INFORMATION

Part Number	Rated Load		Standard Stroke Lengths		Retracted Length in (mm)	Speed		Max Stroke		Motor	
	lbs	N	in	mm		in/min	mm/s	in	mm	HP	kW
NU25-0432	13,505	60,073	6, 12, 18, 24, 36	152, 304, 457, 609, 914	22.15 (562) + (1.25 x Stroke)	259.7	110	161	4089	10	7.40
NU25-0501	15,662	69,665				224.0	95	161	4089	10	7.40
NU25-0529	16,537	73,557				212.1	90	161	4089	10	7.40
NU25-0571	17,850	79,401				196.5	83	161	4089	10	7.40
NU25-0633	19,789	88,022				177.3	75	161	4089	10	7.40
NU25-0717	22,415	99,707				156.5	66	161	4089	10	7.40
NU25-0870	27,198	120,978				129.0	55	161	4089	10	7.40
NU25-0946	29,547	131,426				118.6	50	161	4089	10	7.40
NU25-1071	33,481	148,925				104.8	44	159	4039	10	7.40
NU25-1300	40,640	180,775				86.3	37	144	3657	10	7.40
NU25-1538	36,060	160,403				73.0	31	153	3886	7-1/2	5.52
NU25-1759	41,242	183,446				63.8	27	143	3632	7-1/2	5.52
NU25-1888	44,267	196,906				59.4	25	138	3505	7-1/2	5.52
NU25-2036	31,824	141,561				55.1	23	161	4089	5	3.72
NU25-2500	39,077	173,816				44.9	19	147	3734	5	3.73
NU25-3050	28,605	127,238				36.8	16	161	4089	3	2.23
NU25-3343	31,352	139,455				33.6	14	161	4089	3	2.24
NU25-3546	33,256	147,930				31.6	13	159	4039	3	2.23
NU25-4080	38,264	170,199				27.5	12	148	3759	3	2.24
NU25-5555	50,000	222,409				20.2	9	127	3225	3	2.23
NU25-8161	50,000	222,409	13.7	6	129	3276	2	1.49			
NU25-10019	46,982	208,977	11.2	5	134	3404	1-1/2	1.12			
NU25-13403	41,900	186,379	8.4	4	142	3606	1	0.74			

Consult the factory for additional speeds and capacities. Stroke lengths are available in 1 inch increments, please contact the factory for details.



## RIGHT ANGLE MOTOR



Motor HP	C	FP	AB	TB	N	P
0.33 - 0.50	19.47	5.71	5.24	9.82	5.20	3.43
0.75 - 1.0	20.89	6.50	5.83	9.90	6.02	4.25
1.5 - 2.0	22.73	7.20	5.85	10.09	6.02	4.25
3.0 - 5.0	24.55	7.91	6.26	10.33	6.02	4.25
7.5 - 10	29.47	10.47	7.72	10.13	7.28	5.47

## PRODUCT INFORMATION

Part Number	Rated Load		Standard Stroke Lengths		Retracted Length	Speed		Max Stroke		Motor	
	lbs	N	in	mm	in (mm)	in/min	mm/s	in	mm	HP	kW
NL25-0848	26,510	117,921				132.3	56	161	4089	10	7.40
NL25-1073	33,544	149,211				104.6	44	159	4039	10	7.40
NL25-1268	39,640	176,320				88.5	37	146.0	3708	10	7.40
NL25-1349	42,172	187,582				83.2	35	141.0	3581	10	7.40
NL25-1573	49,175	218,738				71.3	30	131	3327	10	7.40
NL25-1708	40,046	178,133				65.7	28	145	3683	7-1/2	5.52
NL25-2023	31,621	140,657				55.5	23	161	4089	5	3.72
NL25-2391	37,373	166,236				46.9	20	150.0	3810	5	3.73
NL25-2503	39,124	174,025				44.8	19	147.0	3734	5	3.73
NL25-2966	46,361	206,223				37.8	16	135	3429	5	3.72
NL25-3561	33,397	148,556				31.5	13	159	4039	3	2.23
NL25-3805	35,685	158,728				29.5	12	154.0	3912	3	2.24
NL25-4036	37,852	168,374				27.8	12	149	3785	3	2.23
NL25-4770	44,736	198,987				23.5	10	137.0	3480	3	2.24
NL25-4994	46,836	208,328				22.5	10	134.0	3404	3	2.24
NL25-5917	50,000	222,409				19.0	8	123	3124	3	2.23
NL25-6408	40,065	178,217				17.5	7	145	3683	2	1.49
NL25-7591	47,462	211,112				14.8	6	133.0	3378	2	1.49
NL25-8417	50,000	222,402				13.3	6	127.0	3226	2	1.49
NL25-9350	50,000	222,409				12.0	5	120	3048	2	1.49
NL25-11077	50,000	222,402				10.1	4	127.0	3226	1-1/2	1.12
NL25-11770	50,000	222,402				9.5	4	124.0	3150	1-1/2	1.12
NL25-13944	43,591	193,900				8.0	3	139	3530	1	0.74
NL25-15874	49,625	220,734				7.1	3	130.0	3302	1	0.75
NL25-18806	50,000	222,402				6.0	3	120.0	3048	1	0.75
NL25-19745	46,295	205,927				5.7	2	135	3429	3/4	0.56
NL25-23392	50,000	222,402				4.8	2	124.0	3150	3/4	0.56
NL25-24972	50,000	222,402				4.5	2	120.0	3048	3/4	0.56
NL25-29585	46,244	205,701				3.8	2	135	3429	1/2	0.37

Consult the factory for additional speeds and capacities. Stroke lengths are available in 1 inch increments, please contact the factory for details.