

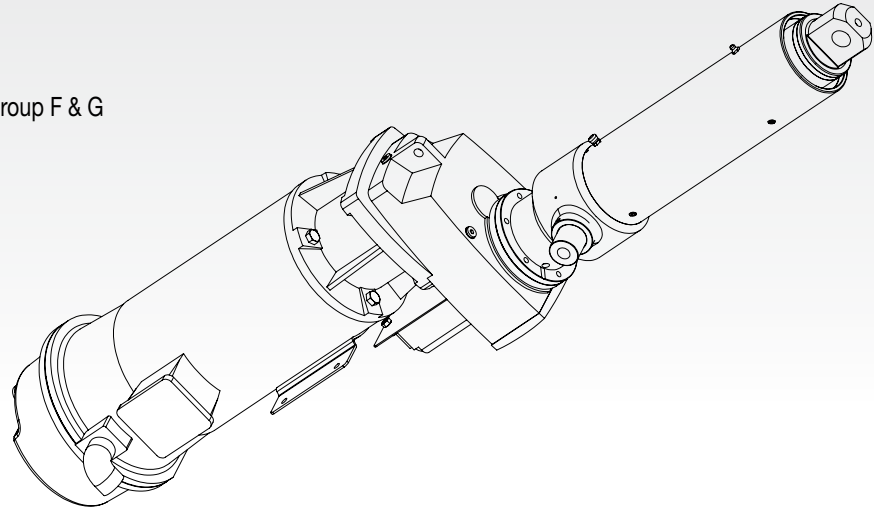
SERIES

SCN12 HAZARDOUS RATED

12 TON (106.7 kN)

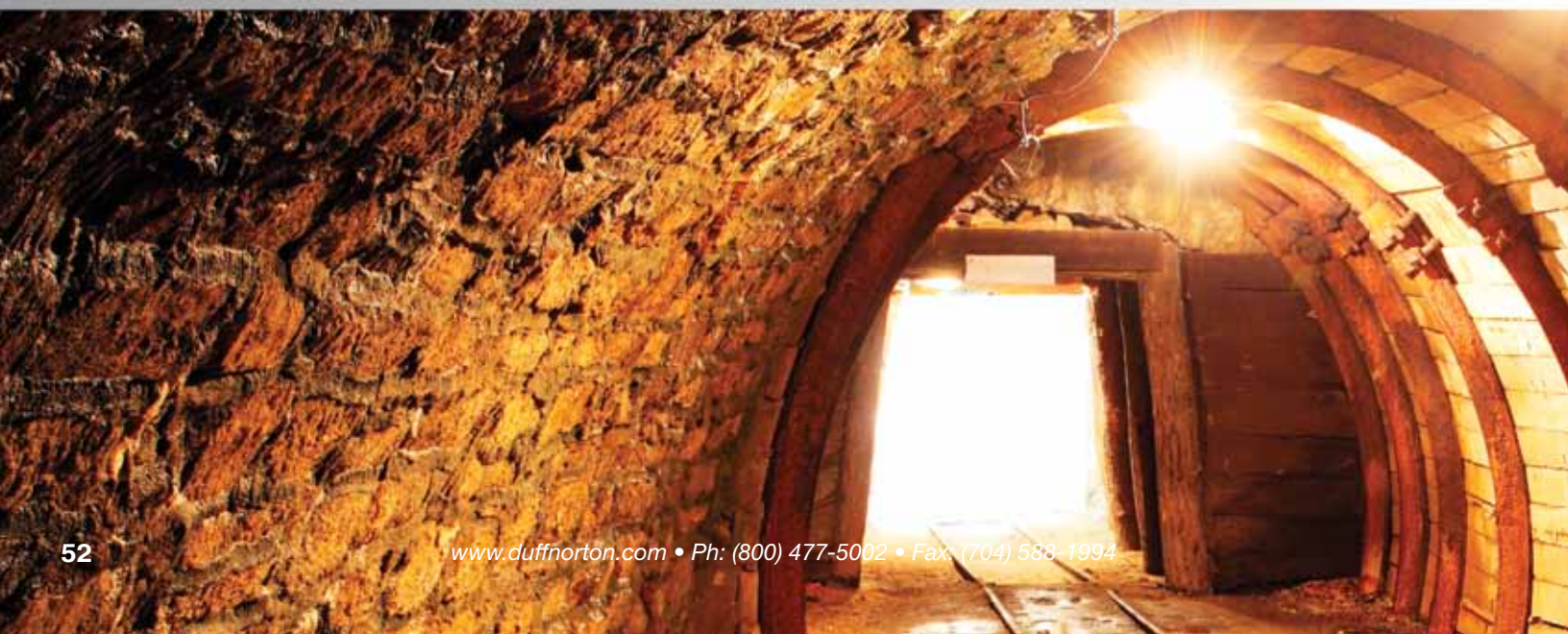
SPEED:	Up to 188.5 in/min (80 mm/s)
BRAKE MOTOR:	230/460 VAC, 3 ph, 60 Hz Class 1, Group D and Class 2, Group F & G
STROKES:	Up to 110 in (2794 mm)
TEMPERATURE RANGE:	0°F to 120°F (-18°C to 50°C)*

*For other temperatures please consult the factory



FEATURES & BENEFITS

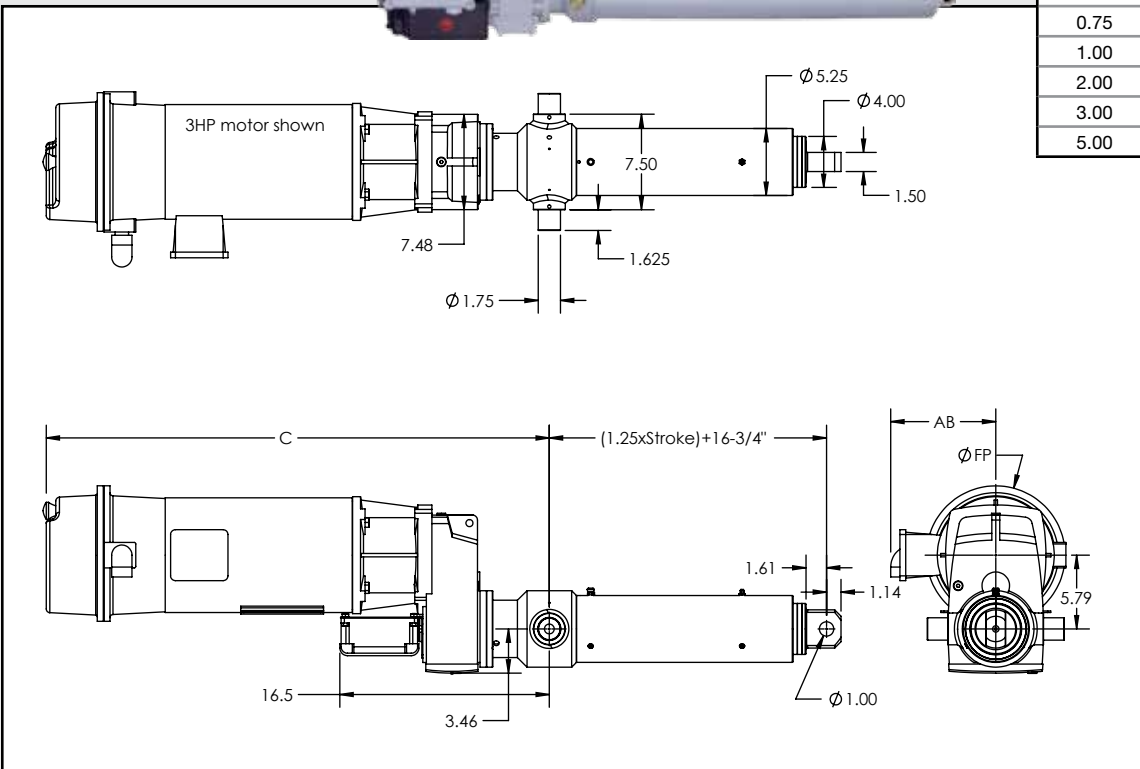
- Easy to install - reduces installation costs
 - Custom designed for your application
 - Low maintenance design - easy to maintain after installation
 - Long product life expectancy
 - Ball screw
 - Ductile iron housing
 - Chrome plated translating tube
 - Adjustable end of stroke limit switches
 - Clevis and trunnion mounting
 - Motor configuration include: parallel, right angle and OFFSET
 - **Motor rated for Class 1, Group D and Class 2, Groups F & G**
 - **Limit switches rated for NEMA 7/Class 1, Group D or NEMA 9/Class 2, Groups E, F & G.**
- Specify when ordering.**



OFFSET MOTOR



Motor HP	C	FP	AB
0.50	32	7.88	6.92
0.75	32	7.88	6.92
1.00	32	7.88	6.92
2.00	35.75	10.88	8.25
3.00	39.5	10.88	8.25
5.00	42.6	10.88	8.25



PRODUCT INFORMATION

Part Number	Rated Load		Standard Stroke Lengths		Retracted Length	Speed		Max Stroke		Motor	
	lbs	N	in	mm	in (mm)	in/min	mm/s	in	mm	HP	kW
NZ12EX-0451	9305	41,392	6, 12, 18, 24, 36	152, 304, 459, 609, 914	16.75 (425) + (1.25 x Stroke)	188.5	80	110	2794	5	3.73
NZ12EX-0572	11,802	52,498				148.6	63	110	2794	5	3.73
NZ12EX-0643	13,267	59,014				132.2	56	110	2794	5	3.73
NZ12EX-0748	15,433	68,651				113.6	48	110	2794	5	3.73
NZ12EX-0837	17,270	76,819				101.6	43	110	2794	5	3.73
NZ12EX-0903	18,631	82,877				94.1	40	107	2718	5	3.73
NZ12EX-1015	20,942	93,156				83.7	35	101	2565	5	3.73
NZ12EX-1181	14,620	65,035				72.0	30	110	2794	3	2.24
NZ12EX-1323	16,378	72,854				64.2	27	110	2794	3	2.24
NZ12EX-1653	20,464	91,027				51.4	22	102	2591	3	2.24
NZ12EX-3123	12,887	57,325				27.2	12	108	2743	1	0.75
NZ12EX-3654	15,078	67,072				23.3	10	108	2743	1	0.75
NZ12EX-3718	15,343	68,247				22.9	10	108	2743	1	0.75
NZ12EX-4511	18,615	82,803				18.8	8	108	2743	1	0.75
NZ12EX-5396	22,267	99,048				15.8	7	98	2489	1	0.75
NZ12EX-6383	24,000	106,757				13.3	6	90	2286	1	0.75
NZ12EX-6967	24,000	106,757				12.2	5	90	2286	1	0.75
NZ12EX-12751	24,000	106,757				6.7	3	90	2286	0.5	0.37
NZ12EX-13186	24,000	106,757				6.4	3	90	2286	0.5	0.37
NZ12EX-14996	24,000	106,757				5.7	2	90	2286	0.5	0.37

Consult the factory for additional speeds and capacities. Stroke lengths are available in 1 inch increments, please contact the factory for details.

SERIES

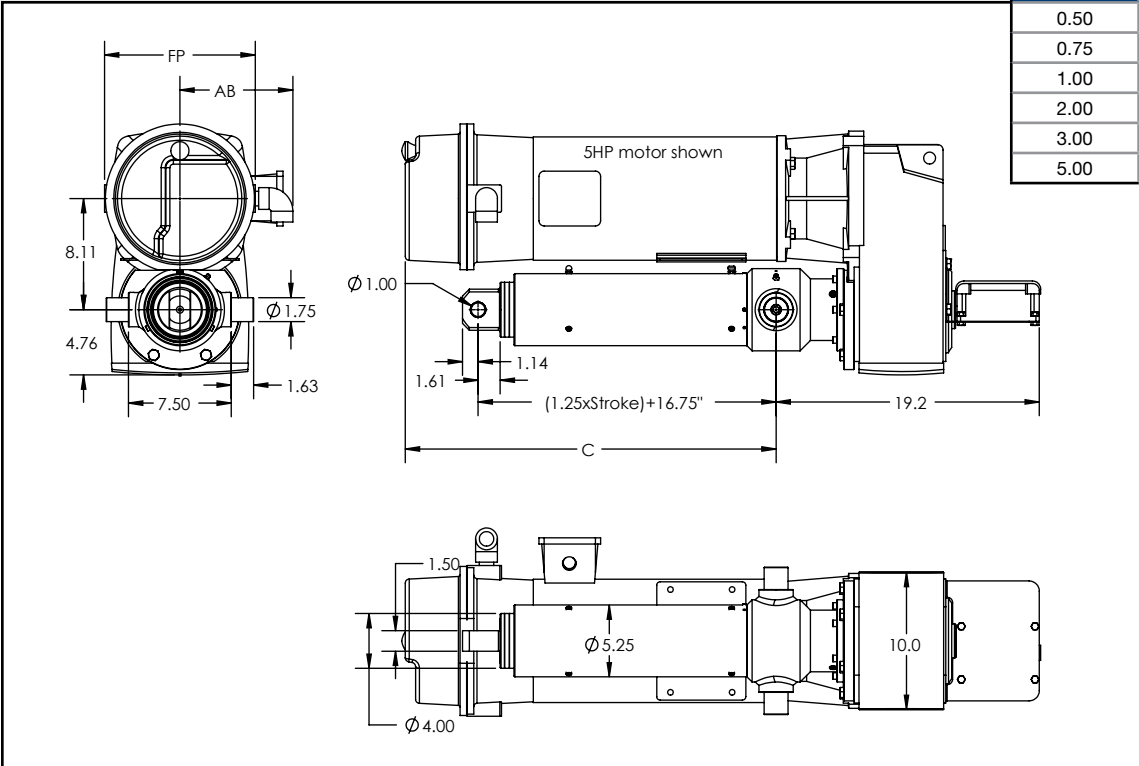
SCN12 HAZARDOUS RATED

12 TON (106.7 kN)



PARALLEL MOTOR

Motor HP	C	FP	AB
0.50	17.38	7.88	6.92
0.75	17.38	7.88	6.92
1.00	17.38	7.88	6.92
2.00	20.5	10.88	8.25
3.00	23.9	10.88	8.25
5.00	27	10.88	8.25



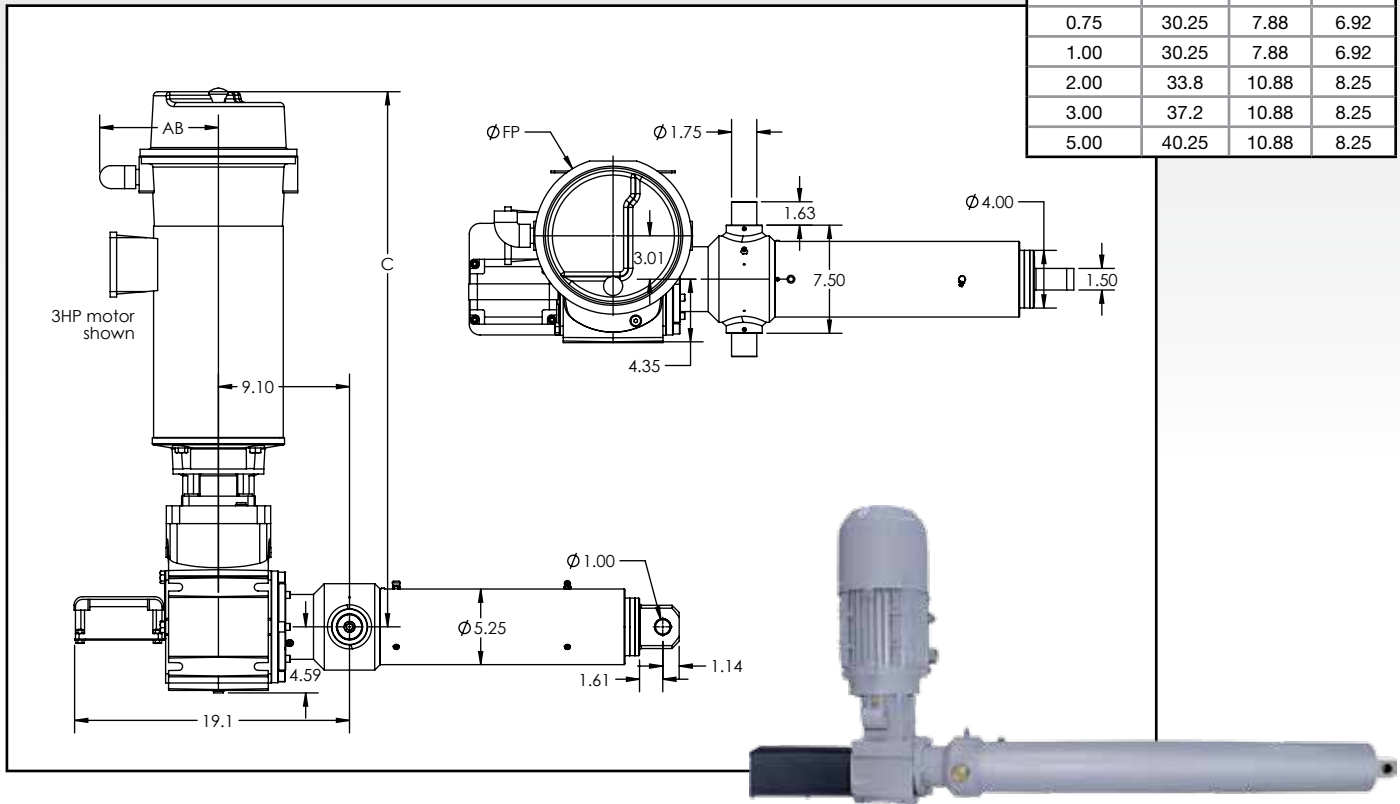
PRODUCT INFORMATION

Part Number	Rated Load		Standard Stroke Lengths		Retracted Length	Speed		Max Stroke		Motor	
	lbs	N	in	mm	in (mm)	in/min	mm/s	in	mm	HP	kW
NU12EX-0470	9697	43,136	6, 12, 18, 24, 36	152, 304, 459, 609, 914	16.75 (425) + (1.25 x Stroke)	180.9	77	110	2794	5	3.73
NU12EX-0500	10,316	45,890				170.0	72	110	2794	5	3.73
NU12EX-0543	11,204	49,836				156.5	66	110	2794	5	3.73
NU12EX-0606	12,503	55,618				140.3	59	110	2794	5	3.73
NU12EX-0713	14,711	65,439				119.2	50	110	2794	5	3.73
NU12EX-0823	17,187	76,452				102.0	43	110	2794	5	3.73
NU12EX-0923	19,044	84,712				92.1	39	106	2692	5	3.73
NU12EX-1085	13,432	59,748				78.3	33	110	2794	3	2.24
NU12EX-1268	15,697	69,826				67.0	28	110	2794	3	2.24
NU12EX-1520	18,817	83,703				55.9	24	107	2718	3	2.24
NU12EX-3234	13,345	59,363				26.3	11	108	2743	1	0.75
NU12EX-3681	15,190	67,568				23.1	10	108	2743	1	0.75
NU12EX-4074	16,812	74,782				20.9	9	108	2743	1	0.75
NU12EX-4505	18,590	82,693				18.9	8	108	2743	1	0.75
NU12EX-11078	22,857	101,673				7.7	3	96	2438	0.5	0.37

Consult the factory for additional speeds and capacities. Stroke lengths are available in 1 inch increments, please contact the factory for details.

RIGHT ANGLE MOTOR

Motor HP	C	FP	AB
0.50	30.25	7.88	6.92
0.75	30.25	7.88	6.92
1.00	30.25	7.88	6.92
2.00	33.8	10.88	8.25
3.00	37.2	10.88	8.25
5.00	40.25	10.88	8.25



PRODUCT INFORMATION

Part Number	Rated Load		Standard Stroke Lengths		Retracted Length in (mm)	Speed		Max Stroke		Motor	
	lbs	N	in	mm		in/min	mm/s	in	mm	HP	kW
NL12EX-0512	10,564	46,909	6, 12, 18, 24, 36	152, 304, 459, 609, 914	16.75 (425) + (1.25 x Stroke)	166.0	70	108	2743	5	3.73
NL12EX-0718	14,814	66,486				118.4	50	108	2743	5	3.73
NL12EX-0885	18,260	81,221				96.0	41	107	2718	5	3.73
NL12EX-0981	20,241	90,033				86.6	37	101	2565	5	3.73
NL12EX-1128	23,274	103,523				75.4	32	87	2210	5	3.73
NL12EX-1250	15,475	68,833				68.0	29	108	2743	3	2.24
NL12EX-1379	17,072	75,937				61.6	26	108	2743	3	2.24
NL12EX-1542	19,089	84,909				55.1	23	104	2642	3	2.24
NL12EX-1708	21,144	94,049				49.8	21	99	2515	3	2.24
NL12EX-3504	14,459	64,301				24.3	10	108	2743	1	0.75
NL12EX-3932	16,226	72,174				21.6	9	108	2743	1	0.75
NL12EX-4344	17,926	79,735				19.6	8	108	2743	1	0.75

Consult the factory for additional speeds and capacities. Stroke lengths are available in 1 inch increments, please contact the factory for details.