

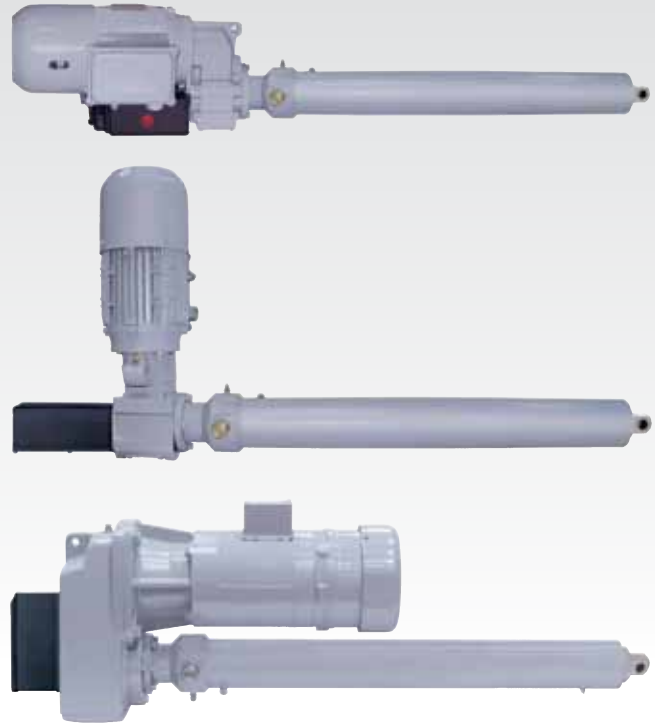
SERIES

SCN12

12 TON (106.7 kN)

SPEED:	Up to 203.8 in/min (86 mm/s)
BRAKE MOTOR:	TEFC 230/460 VAC, 3 ph, 60 Hz
STROKES:	Up to 110 in (2794 mm)
TEMPERATURE RANGE:	0°F to 120°F (-18°C to 50°C)*

*For other temperatures please consult the factory

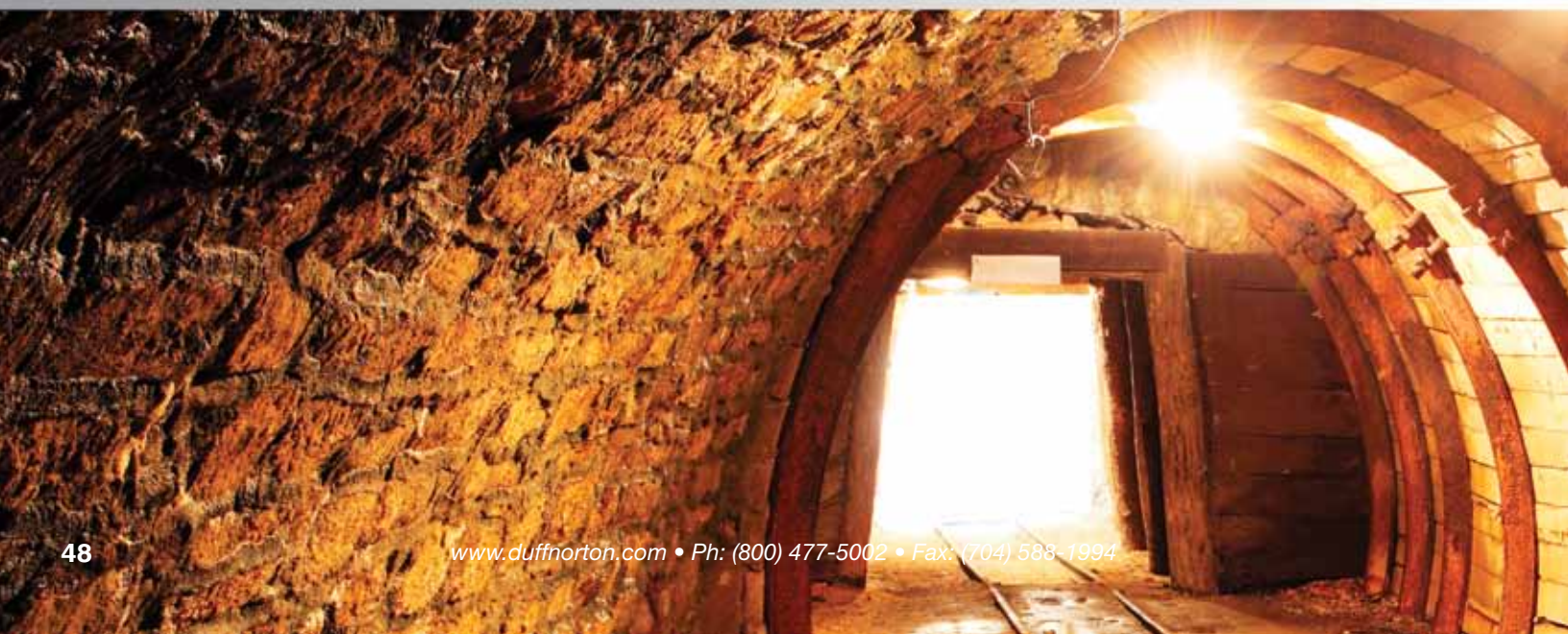


FEATURES & BENEFITS

- Easy to install - reduces installation costs
- Custom designed for your application
- Low maintenance design - easy to maintain after installation
- Long product life expectancy
- Ball screw
- Ductile iron housing
- Chrome plated translating tube
- Adjustable end of stroke limit switches
- Clevis and trunnion mounting
- Motor configuration include: parallel, right angle and OFFSET

OPTIONS

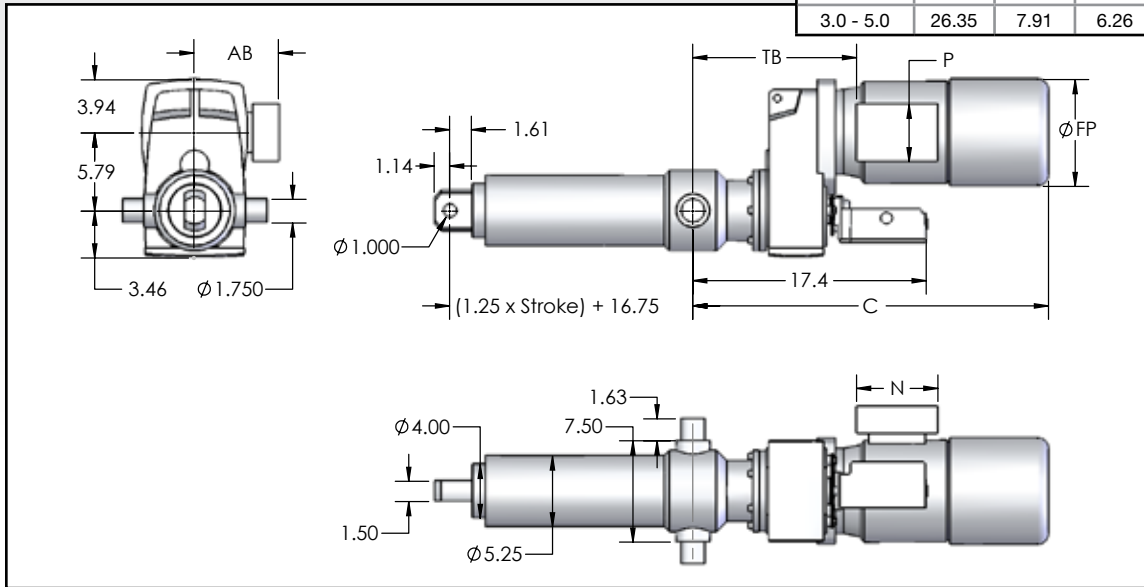
- Food grade component options available
- Explosion proof motor and limit switch (see pages 52-55)
- Product designs for outdoor applications
- Manual override
- Other special packages are available upon your application needs





Motor HP	C	FP	AB	TB	N	P
0.33 - 0.50	25.84	5.71	5.24	11.82	5.20	3.43
0.75 - 1.0	25.92	6.50	5.83	11.70	6.02	4.25
1.5 - 2.0	26.11	7.20	5.85	11.90	6.02	4.25
3.0 - 5.0	26.35	7.91	6.26	12.13	6.02	4.25

OFFSET MOTOR



PRODUCT INFORMATION

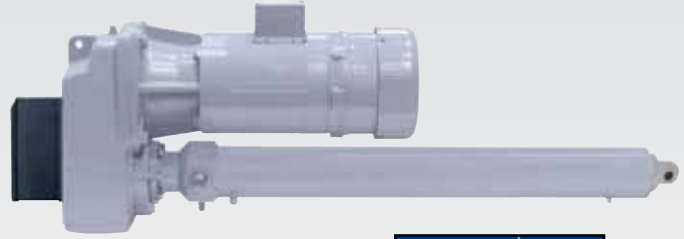
Part Number	Rated Load		Standard Stroke Lengths		Retracted Length	Speed		Max Stroke		Motor	
	lbs	N	in	mm	in (mm)	in/min	mm/s	in	mm	HP	kW
NZ12-0451	9305	41,390				188.5	80	110	2794	5	3.72
NZ12-0572	11,802	52,496				148.6	63	110	2794	5	3.72
NZ12-0643	13,267	59,012				132.2	56	110	2794	5	3.72
NZ12-0748	15,433	68,649				113.6	48	110	2794	5	3.72
NZ12-0837	17,270	76,821				101.6	43	110	2794	5	3.72
NZ12-0903	18,631	82,874				94.1	40	107	2717	5	3.72
NZ12-1015	20,942	93,151				83.7	35	101	2565	5	3.72
NZ12-1181	14,620	65,031				72.0	30	110	2794	3	2.23
NZ12-1323	16,378	72,850				64.2	27	110	2794	3	2.23
NZ12-1653	20,464	91,022				51.4	22	102	2591	3	2.23
NZ12-1851	15,277	67,950				45.9	19	110	2794	2	1.49
NZ12-2190	18,074	80,394				38.8	16	109	2769	2	1.49
NZ12-2396	19,774	87,959				35.5	15	104	2641	2	1.49
NZ12-2497	20,608	91,664				34.0	14	102	2591	2	1.49
NZ12-2683	16,607	73,869				31.7	13	110	2794	1-1/2	1.12
NZ12-2965	18,353	81,635	6, 12, 18, 24, 36	152, 304, 457, 609, 914	16.75 (425) + (1.25 x Stroke)	28.7	12	108	2743	1/2	0.37
NZ12-3132	19,331	85,985				27.2	12	105	2667	1/2	0.37
NZ12-3654	22,618	100,603				23.3	10	97	2464	1-1/2	1.12
NZ12-3718	15,343	68,244				22.9	10	110	2794	1	0.74
NZ12-4511	18,615	82,803				18.8	8	108	2743	1	0.74
NZ12-5396	22,267	99,044				15.8	7	98	2489	1	0.74
NZ12-6383	24,000	106,753				13.3	6	89	2261	1	0.74
NZ12-6967	24,000	106,752				12.2	5	85	2159	1	0.74
NZ12-8242	24,000	106,752				10.3	4	91	2311	3/4	0.56
NZ12-10098	24,000	106,753				8.4	4	81	2057	3/4	0.56
NZ12-10407	24,000	106,752				8.2	3	80	2032	3/4	0.56
NZ12-12751	24,000	106,752				6.7	3	89	2261	1/2	0.37
NZ12-13186	24,000	106,753				6.4	3	88	2235	1/2	0.37
NZ12-14996	24,000	106,752				5.7	2	82	2082	1/2	0.37
NZ12-18511	24,000	106,752				4.6	2	91	2311	1/3	0.25
NZ12-23611	24,000	106,752				3.6	2	80	2032	1/3	0.25
NZ12-27627	24,000	106,752				3.1	1	85	2159	1/4	0.19

Consult the factory for additional speeds and capacities. Stroke lengths are available in 1 inch increments, please contact the factory for details.

SERIES

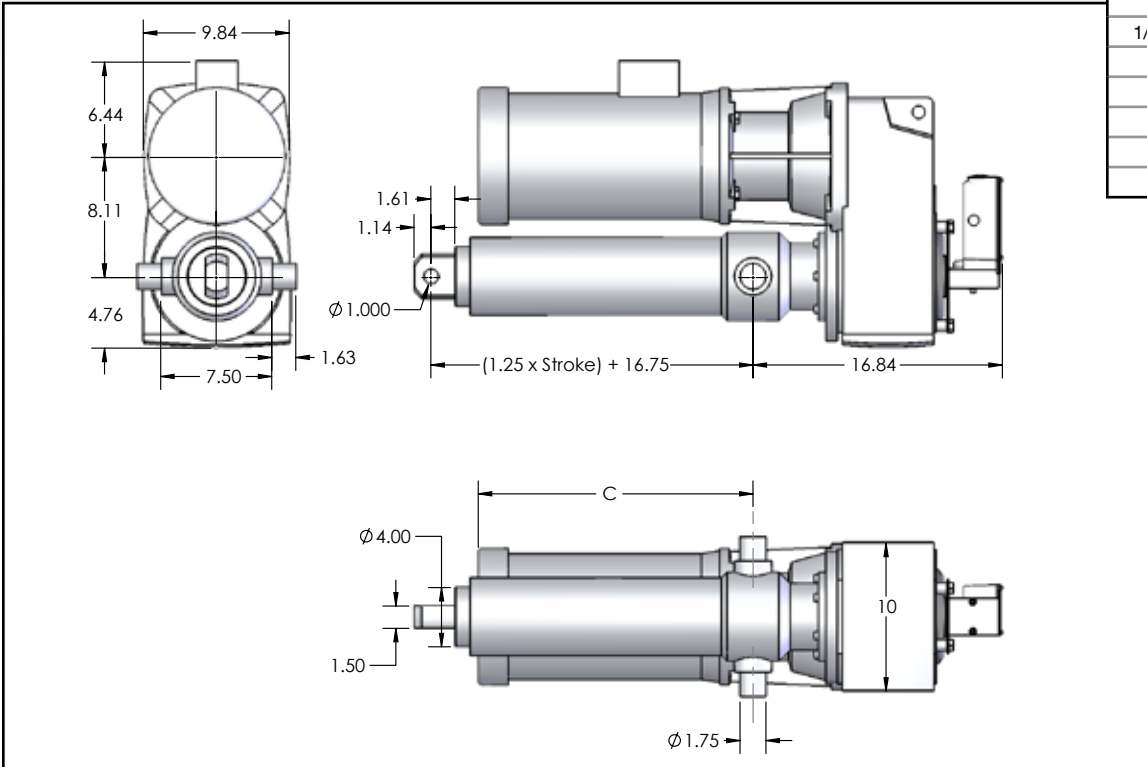
SCN12

12 TON (106.7 kN)



PARALLEL MOTOR

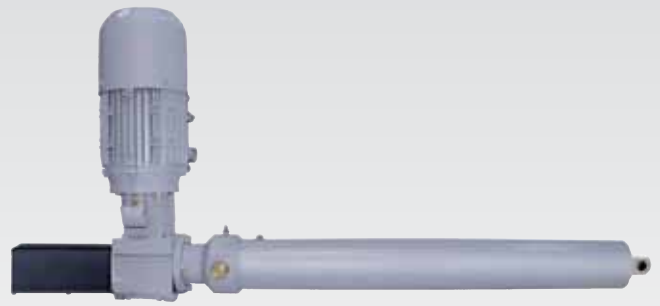
Motor HP	C
1/3	11.84
1/2 - 3/4	13.34
1	13.84
1-1/2	14.84
2	15.84
3	16.07
5	16.52



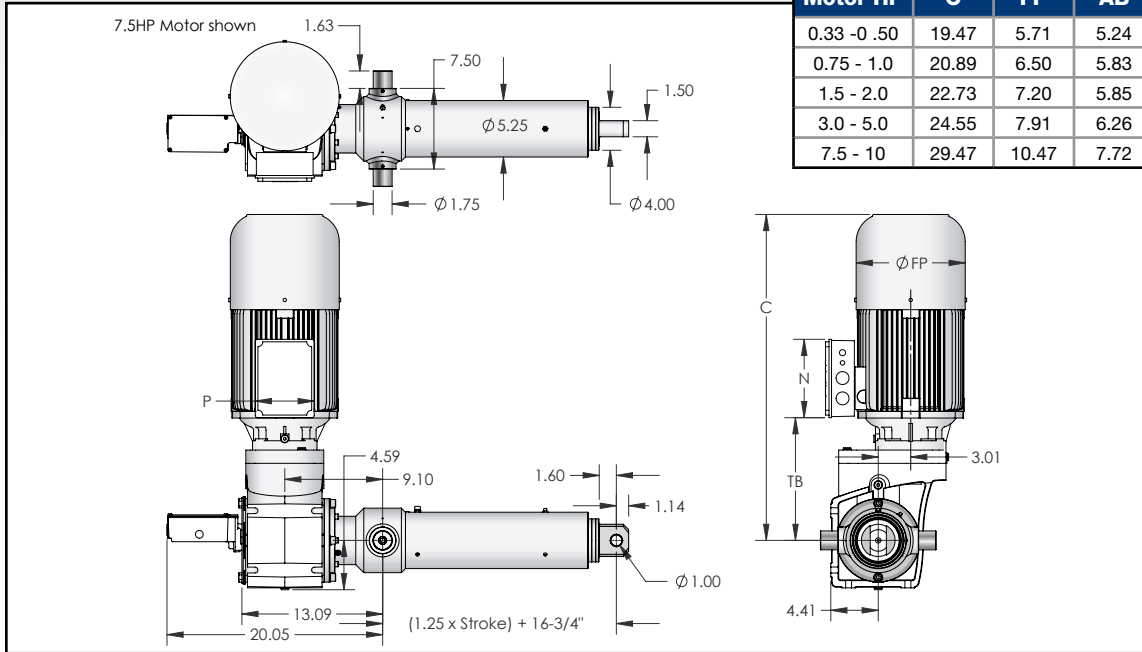
PRODUCT INFORMATION

Part Number	Rated Load		Standard Stroke Lengths		Retracted Length in (mm)	Speed		Max Stroke		Motor	
	lbs	N	in	mm		in/min	mm/s	in	mm	HP	kW
NU12-0470	9697	43,134	6, 12, 18, 24, 36	152, 304, 457, 609, 914	16.75 (425) + (1.25 x Stroke)	180.9	77	110	2794	5	3.72
NU12-0500	10,316	45,886				170.0	72	110	2794	5	3.72
NU12-0543	11,204	49,838				156.5	66	110	2794	5	3.72
NU12-0606	12,503	55,616				140.3	59	110	2794	5	3.72
NU12-0713	14,711	65,435				119.2	50	110	2794	5	3.72
NU12-0823	17,187	76,452				102.0	43	110	2794	5	3.72
NU12-0923	19,044	84,708				92.1	39	106	2692	5	3.72
NU12-1085	13,432	59,746				78.3	33	110	2794	3	2.23
NU12-1268	15,697	69,824				67.0	28	110	2794	3	2.23
NU12-1520	18,817	83,702				55.9	24	107	2717	3	2.23
NU12-1818	15,004	66,738				46.8	20	110	2794	2	1.49
NU12-2145	17,703	78,746				39.6	17	110	2794	2	1.49
NU12-2239	18,479	82,195				38.0	16	108	2743	2	1.49
NU12-2625	21,664	96,363				32.4	14	99	2515	2	1.49
NU12-2643	16,360	72,770				32.2	14	110	2794	1-1/2	1.12
NU12-3234	20,018	89,041				26.3	11	103	2616	1-1/2	1.12
NU12-3681	22,785	101,347				23.1	10	96	2438	1-1/2	1.12
NU12-4074	16,812	74,783				20.9	9	110	2794	1	0.74
NU12-4505	18,590	82,689				18.9	8	108	2743	1	0.74
NU12-9052	24,000	106,753				9.4	4	86	2184	3/4	0.56
NU12-11078	22,857	101,669	7.7	3	96	2438	1/2	0.37			
NU12-15540	21,162	94,128	5.5	2	100	2540	1/3	0.25			

Consult the factory for additional speeds and capacities. Stroke lengths are available in 1 inch increments, please contact the factory for details.



RIGHT ANGLE MOTOR



Motor HP	C	FP	AB	TB	N	P
0.33 - 0.50	19.47	5.71	5.24	9.82	5.20	3.43
0.75 - 1.0	20.89	6.50	5.83	9.90	6.02	4.25
1.5 - 2.0	22.73	7.20	5.85	10.09	6.02	4.25
3.0 - 5.0	24.55	7.91	6.26	10.33	6.02	4.25
7.5 - 10	29.47	10.47	7.72	10.13	7.28	5.47

PRODUCT INFORMATION

Part Number	Rated Load		Standard Stroke Lengths		Retracted Length in (mm)	Speed		Max Stroke		Motor	
	lbs	N	in	mm		in/min	mm/min	in	mm	HP	kW
NL12-0417	12,906	57,408	6, 12, 18, 24, 36	152, 304, 457, 609, 914	16.75 (425) + (1.25 x Stroke)	203.8	86	110	2794	7-1/2	5.59
NL12-0512	15,846	70,486				166.0	70	110	2794	7-1/2	5.59
NL12-0639	19,777	87,970				133.0	56	105	2667	7-1/2	5.59
NL12-0718	14,814	65,897				118.4	50	110	2794	5	3.73
NL12-0885	18,260	81,224				96.0	41	109	2769	5	3.73
NL12-0981	20,241	90,035				86.6	37	103	2616	5	3.73
NL12-1128	23,274	103,527				75.4	32	96	2438	5	3.73
NL12-1250	15,475	68,834				68.0	29	110	2794	3	2.24
NL12-1379	17,072	75,938				61.6	26	110	2794	3	2.24
NL12-1542	19,089	84,914				55.1	23	107	2718	3	2.24
NL12-1708	21,144	94,055				49.8	21	101	2565	3	2.24
NL12-1884	15,549	69,165				45.1	19	110	2794	2	1.49
NL12-1917	15,821	70,376				44.3	19	110	2794	2	1.49
NL12-2114	17,447	77,608				40.2	17	110	2794	2	1.49
NL12-2259	18,644	82,932				37.6	16	108	2743	2	1.49
NL12-2464	20,336	90,457				34.5	15	103	2616	2	1.49
NL12-2534	20,913	93,027				33.5	14	101	2565	2	1.49
NL12-2765	17,115	76,131				30.7	13	110	2794	1-1/2	1.12
NL12-2838	17,567	78,141				30.0	13	110	2794	1-1/2 *	1.12*
NL12-3185	19,715	87,695				26.7	11	105	2667	1-1/2 *	1.12*
NL12-3504	21,689	96,478				24.3	10	100	2540	1-1/2	1.12
NL12-3932	16,226	72,175				21.6	9	110	2794	1	0.75
NL12-4344	17,926	79,738				19.6	8	110	2794	1	0.75
NL12-4692	19,362	86,126				18.1	8	106	2692	1	0.75
NL12-5264	21,722	96,625				16.1	7	99	2515	1	0.75
NL12-5968	18,470	82,161				14.2	6	108	2743	3/4	0.56
NL12-6696	20,724	92,183				12.7	5	102	2591	3/4	0.56

Consult the factory for additional speeds and capacities. Stroke lengths are available in 1 inch increments, please contact the factory for details. *C-face only

www.duffnorton.com • Ph: (800) 477-5002 • Fax: (704) 588-1994