

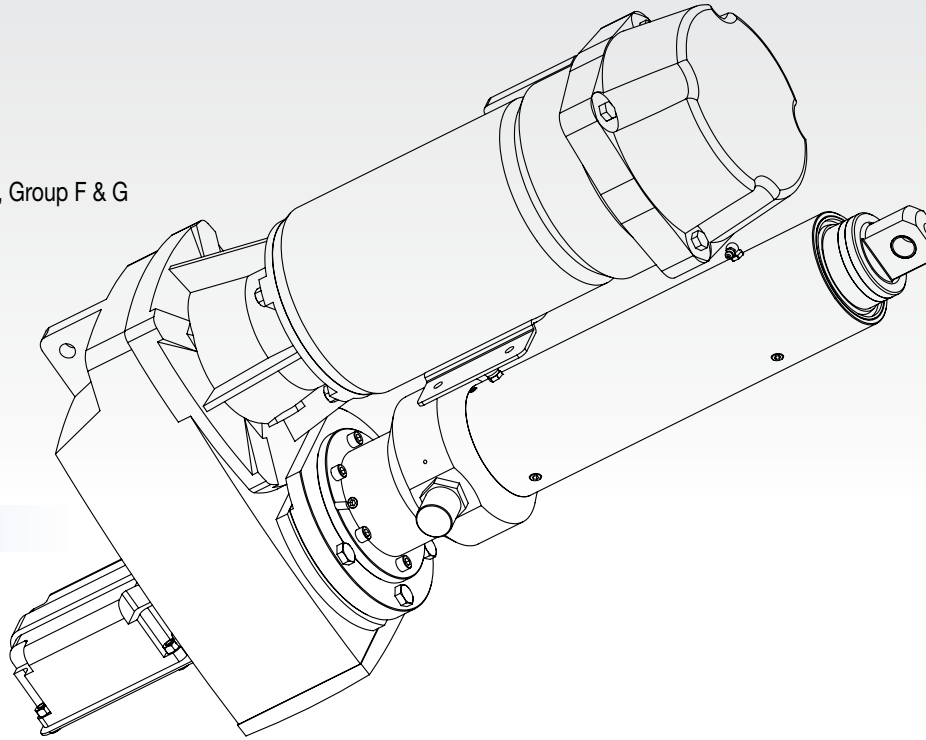
# SERIES

## SCN06 HAZARDOUS RATED

### 6 TON (53 kN)

SPEED:	Up to 457 in/min (193 mm/s)
BRAKE MOTOR:	230/460 VAC, 3 ph, 60 Hz Class 1, Group D and Class 2, Group F & G
STROKES:	Up to 80 in (2032 mm)
TEMPERATURE RANGE:	0°F to 120°F (-18°C to 50°C)*

\*For other temperatures please consult the factory



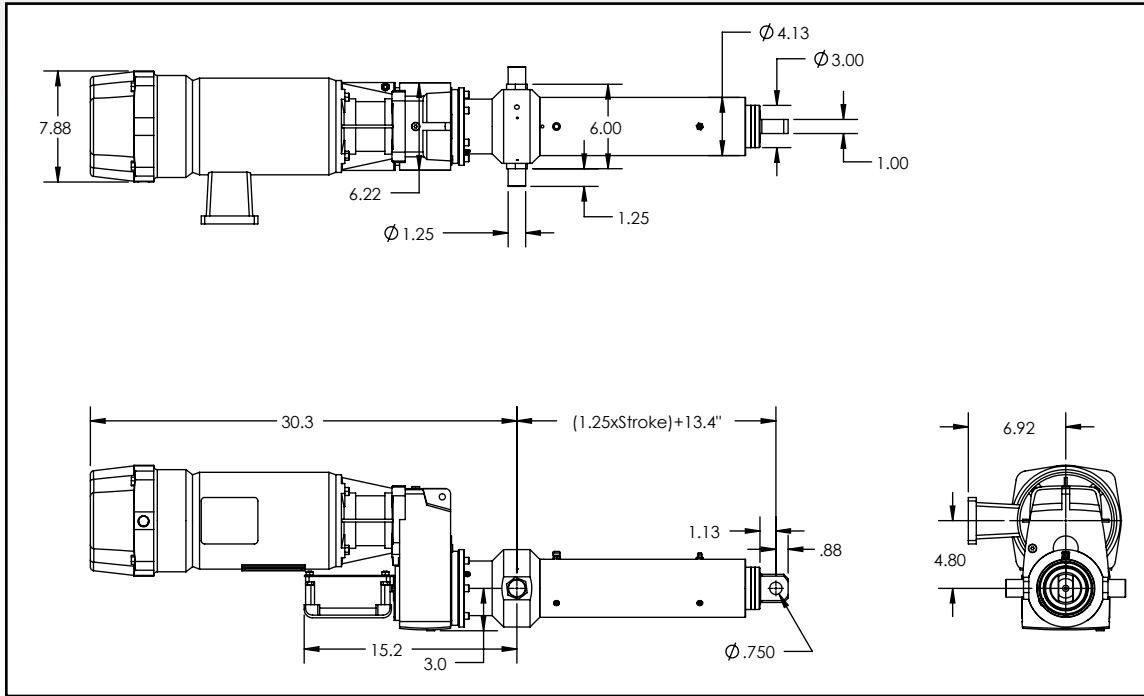
#### FEATURES & BENEFITS

- Easy to install - reduces installation costs
  - Custom designed for your application
  - Low maintenance design - easy to maintain after installation
  - Long product life expectancy
  - Ball screw
  - Ductile iron housing
  - Chrome plated translating tube
  - Adjustable end of stroke limit switches
  - Clevis and trunnion mounting
  - Motor configuration include: parallel, right angle and OFFSET
  - **Motor rated for Class 1, Group D and Class 2, Groups F & G**
  - **Limit switches rated for NEMA 7/Class 1, Group D or NEMA 9/Class 2, Groups E, F & G.**
- Specify when ordering.**





**OFFSET MOTOR**



**PRODUCT INFORMATION**

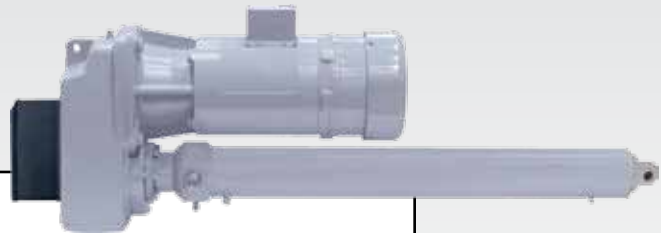
Part Number	Rated Load		Standard Stroke Lengths		Retracted Length in (mm)	Speed		Max Stroke		Motor	
	lbs	N	in	mm		in/min	mm/s	in	mm	HP	kW
NZH6EX-0479	988	4396	6, 12, 18, 24, 36	152, 304, 459, 609, 914	13.4 (304 + (1.25 x Stroke))	354.9	150	79	2007	1	0.75
NZH6EX-0547	1129	5020				310.8	132	79	2007	1	0.75
NZH6EX-0643	1327	5901				264.4	112	79	2007	1	0.75
NZH6EX-0724	1494	6645				234.8	99	79	2007	1	0.75
NZH6EX-0824	1700	7563				206.3	87	79	2007	1	0.75
NZH6EX-0918	1894	8425				185.2	78	79	2007	1	0.75
NZ06EX-0479	2103	9354				168.2	71	79	2007	1	0.75
NZ06EX-0547	2401	10,682				147.3	62	79	2007	1	0.75
NZ06EX-0643	2823	12,556				125.3	53	79	2007	1	0.75
NZ06EX-0724	3178	14,138				111.3	47	79	2007	1	0.75
NZ06EX-0824	3617	16,091				97.8	41	79	2007	1	0.75
NZ06EX-0918	4030	17,926				87.8	37	79	2007	1	0.75
NZ06EX-1034	4539	20,191				77.9	33	79	2007	1	0.75
NZ06EX-1176	5163	22,964				68.5	29	79	2007	1	0.75
NZ06EX-1411	6194	27,553				57.1	24	78	1981	1	0.75
NZ06EX-1721	7555	33,607				46.8	20	70	1778	1	0.75
NZ06EX-2057	9030	40,168				39.2	17	64	1626	1	0.75
NZ06EX-4107	9015	40,100				19.6	8	64	1626	0.5	0.37
NZ06EX-4925	10,810	48,086				16.4	7	59	1499	0.5	0.37
NZ06EX-5889	12,926	57,499				13.7	6	54	1372	0.5	0.37

Consult the factory for additional speeds and capacities. Stroke lengths are available in 1 inch increments, please contact the factory for details.

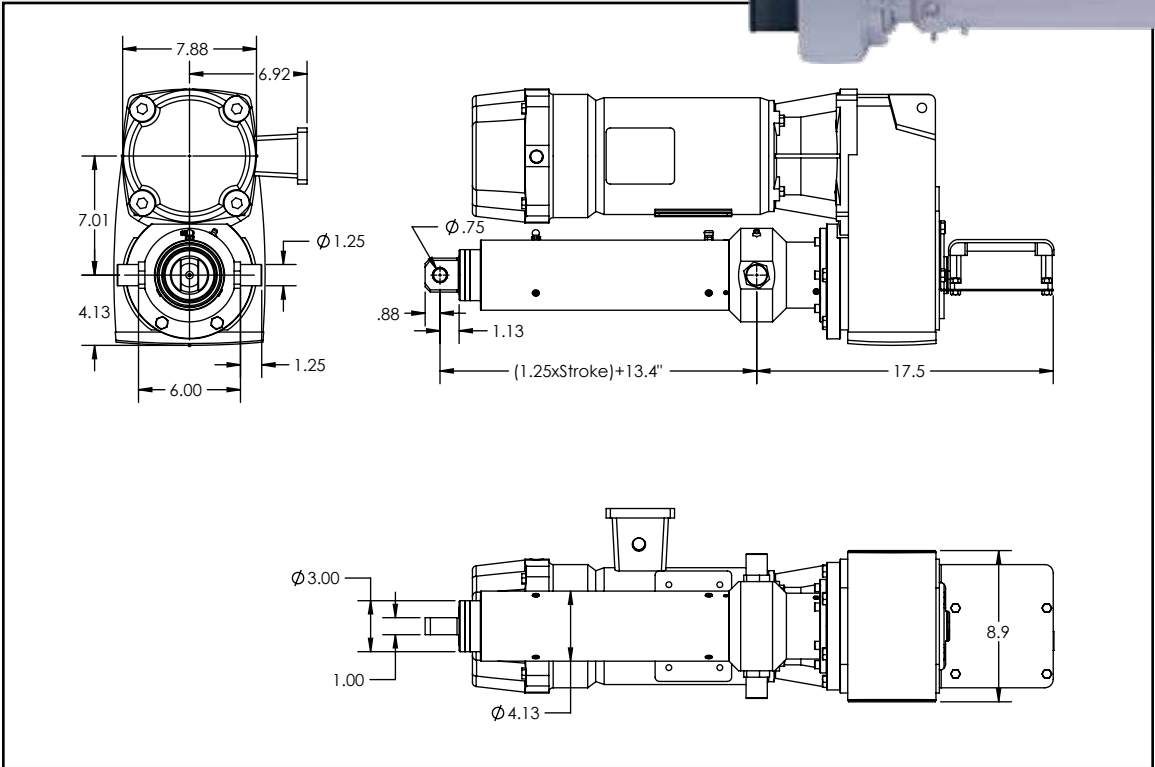
# SERIES

## SCN06 HAZARDOUS RATED

### 6 TON (53 kN)



PARALLEL MOTOR



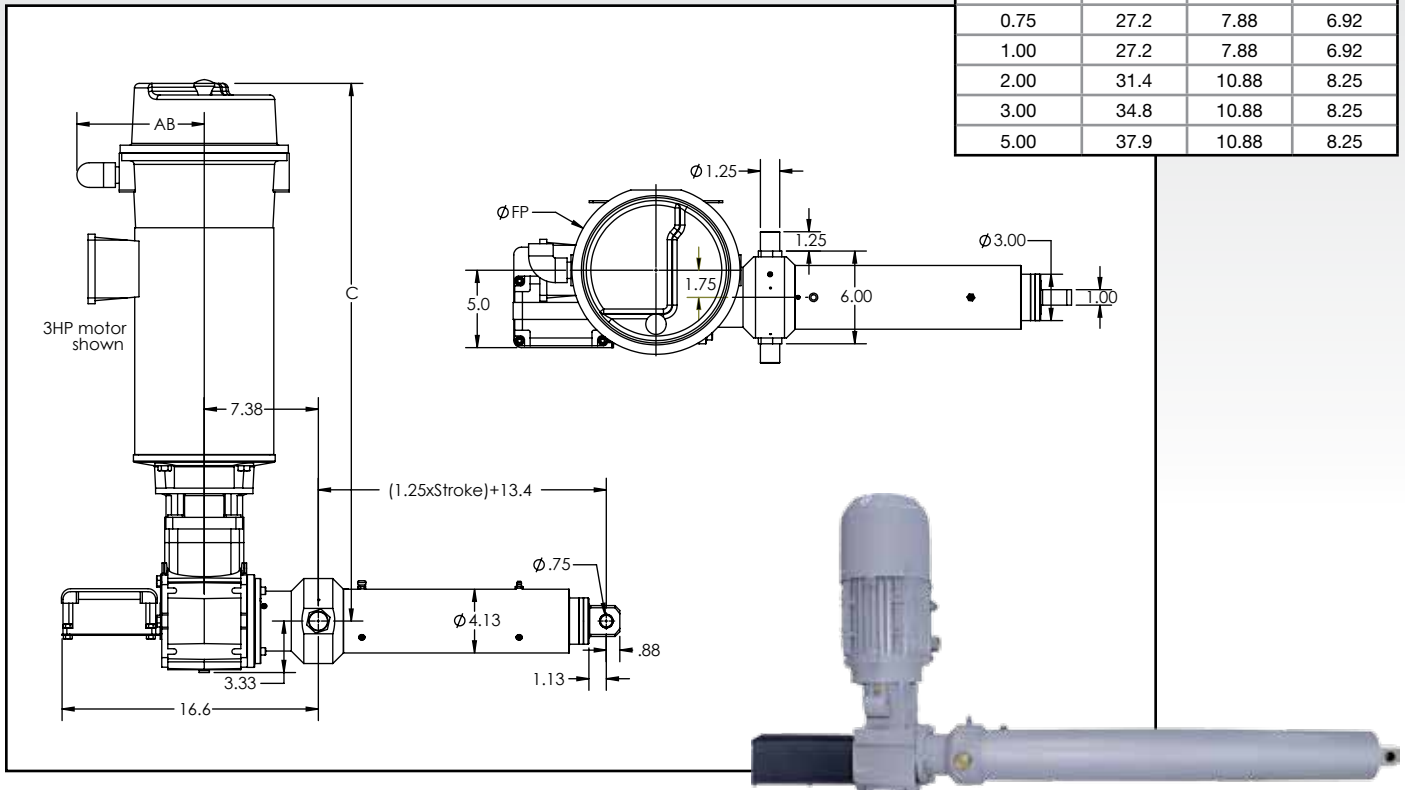
## PRODUCT INFORMATION

Part Number	Rated Load		Standard Stroke Lengths		Retracted Length	Speed		Max Stroke		Motor	
	lbs	N	in	mm	in (mm)	in/min	mm/s	in	mm	HP	kW
NUH6EX-0448	924	4112				379.5	161	80	2032	1	0.75
NUH6EX-0568	1172	5213				299.3	127	80	2032	1	0.75
NUH6EX-0670	1382	6149				253.7	107	80	2032	1	0.75
NUH6EX-0831	1715	7627				204.6	87	80	2032	1	0.75
NU06EX-0448	1967	8748				179.9	76	80	2032	1	0.75
NU06EX-0568	2493	11,092				141.9	60	79	2007	1	0.75
NU06EX-0670	2941	13,083				120.3	51	79	2007	1	0.75
NU06EX-0831	3648	16,227				97.0	41	79	2007	1	0.75
NU06EX-0980	4302	19,137				82.2	35	79	2007	1	0.75
NU06EX-1138	4996	22,222	6, 12, 18, 24, 36	152, 304, 459, 609, 914	13.4 (304) + (1.25 x Stroke)	70.8	30	79	2007	1	0.75
NU06EX-1411	6194	27,553				57.1	24	78	1981	1	0.75
NU06EX-1667	7318	32,552				48.3	20	71	1803	1	0.75
NU06EX-2018	8859	39,406				39.9	17	65	1651	1	0.75
NU06EX-2138	9386	41,750				37.7	16	63	1600	1	0.75
NU06EX-2245	9855	43,839				35.9	15	62	1575	1	0.75
NU06EX-3777	8290	36,878				21.3	9	67	1702	0.5	0.37
NU06EX-4202	9223	41,027				19.2	8	64	1626	0.5	0.37
NU06EX-4485	9844	43,790				18.0	8	62	1575	0.5	0.37
NU06EX-5297	11,627	51,719				15.2	6	57	1448	0.5	0.37

Consult the factory for additional speeds and capacities. Stroke lengths are available in 1 inch increments, please contact the factory for details.

**RIGHT ANGLE**

Motor HP	C	FP	AB
0.50	27.2	7.88	6.92
0.75	27.2	7.88	6.92
1.00	27.2	7.88	6.92
2.00	31.4	10.88	8.25
3.00	34.8	10.88	8.25
5.00	37.9	10.88	8.25



**PRODUCT INFORMATION**

Part Number	Rated Load		Standard Stroke Lengths		Retracted Length	Speed		Max Stroke		Motor	
	lbs	N	in	mm	in (mm)	in/min	mm/s	in	mm	HP	kW
NLH6EX-0372	3838	17,225				457.0	193	80	2032	5	3.73
NLH6EX-0431	4446	19,954				394.4	167	80	2032	5	3.73
NLH6EX-0513	5292	23,751				331.4	140	80	2032	5	3.73
NLH6EX-0583	6014	26,991				291.6	123	79	2006	5	3.73
NLH6EX-0667	4129	18,531				254.9	108	80	2032	3	2.24
NLH6EX-0701	4339	19,474				242.5	103	80	2032	3	2.24
NL06EX-0372	4899	21,987				216.6	92	80	2032	3	2.24
NL06EX-0431	5676	25,474				187.0	79	80	2032	3	2.24
NL06EX-0513	6756	30,321	6, 12, 18, 24, 36	152, 304, 459, 609, 914	13.4 (304) + (1.25 x Stroke)	157.1	67	75	1905	3	2.24
NL06EX-0583	7678	34,459				138.2	59	70	1778	3	2.24
NL06EX-1412	6199	27,821				57.1	24	78	1981	1	0.75
NL06EX-1584	6954	31,210				50.9	22	74	1879	1	0.75
NL06EX-1833	8047	35,802				44.0	19	69	1752	1	0.75
NL06EX-2004	8797	39,481				40.2	17	66	1676	1	0.75
NL06EX-2249	9873	43,915				35.8	15	62	1575	1	0.75
NL06EX-3680	8078	35,931				21.9	9	69	1752	1/2	0.37
NL06EX-4146	9100	40,477				19.4	8	65	1651	1/2	0.37

Consult the factory for additional speeds and capacities. Stroke lengths are available in 1 inch increments, please contact the factory for details.