

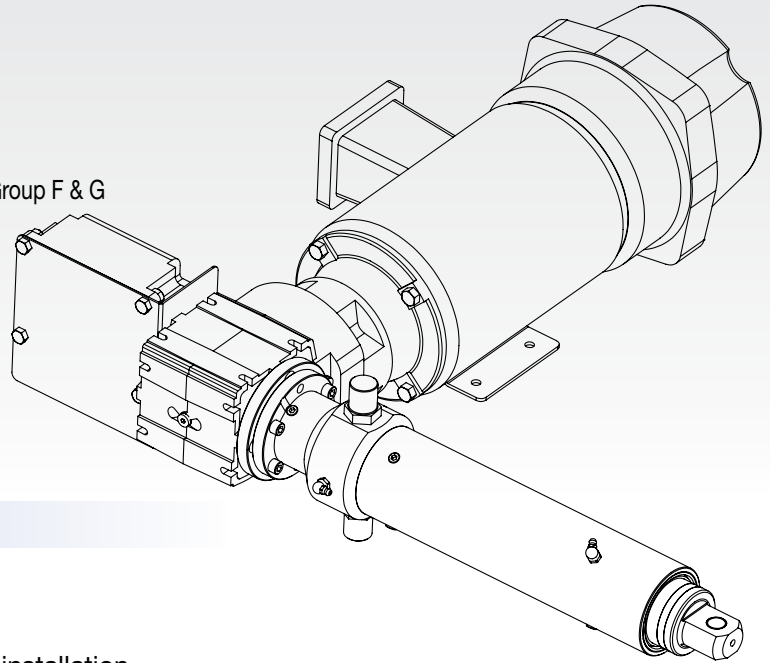
# SERIES

## SCN03 HAZARDOUS RATED

### 3 TON (26.6 kN)

SPEED:	Up to 196.1 in/min (83 mm/s)
BRAKE MOTOR:	230/460 VAC, 3 ph, 60 Hz Class 1, Group D and Class 2, Group F & G
STROKES:	Up to 61 in (1549 mm)
TEMPERATURE RANGE:	0°F to 120°F (-18°C to 50°C)*

\*For other temperatures please consult the factory

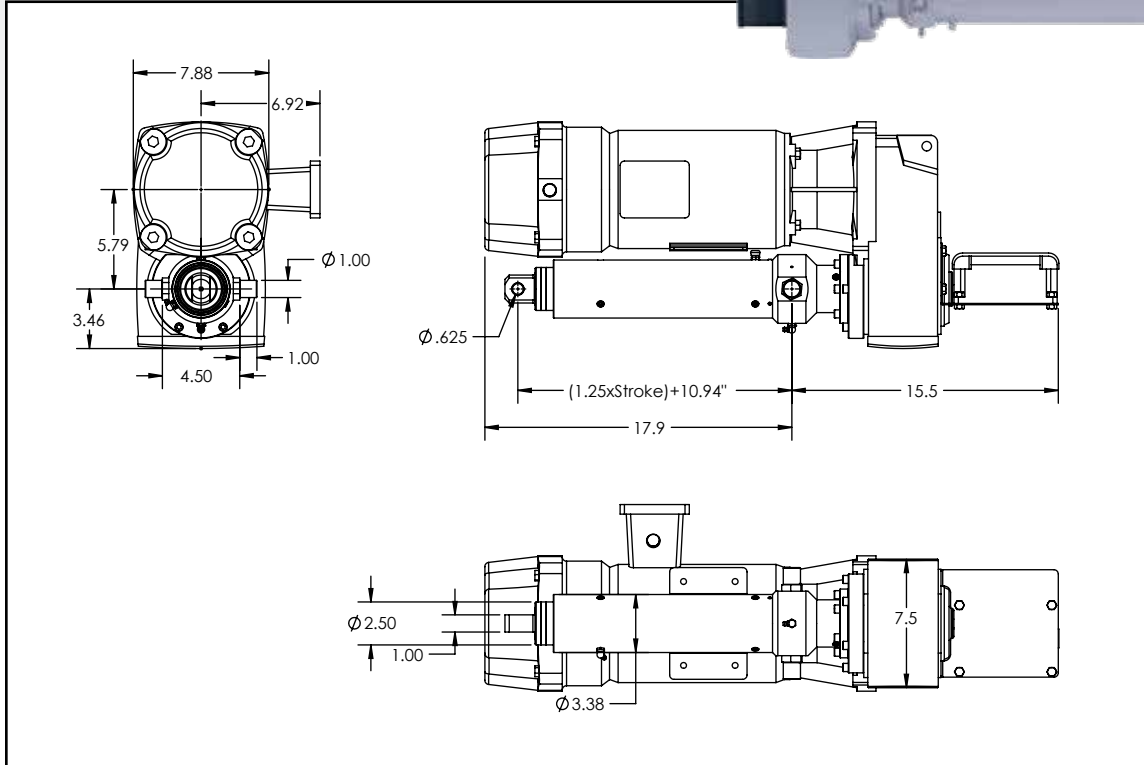
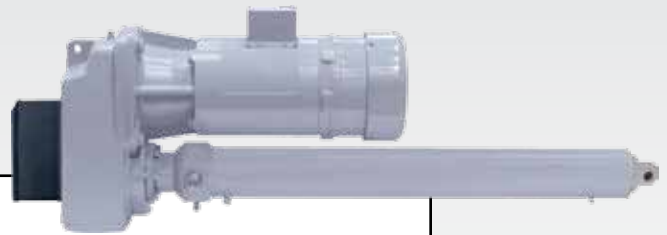


#### FEATURES & BENEFITS

- Easy to install - reduces installation costs
- Custom designed for your application
- Low maintenance design - easy to maintain after installation
- Long product life expectancy
- Ball screw
- Ductile iron housing
- Chrome plated translating tube
- Adjustable end of stroke limit switches
- Clevis and trunnion mounting
- Motor configuration include: parallel, right angle and OFFSET
- **Motor rated for Class 1, Group D and Class 2, Groups F & G**
- **Limit switches rated for NEMA 7/Class 1, Group D or NEMA 9/Class 2, Groups E, F & G. Specify when ordering.**



PARALLEL MOTOR



PRODUCT INFORMATION

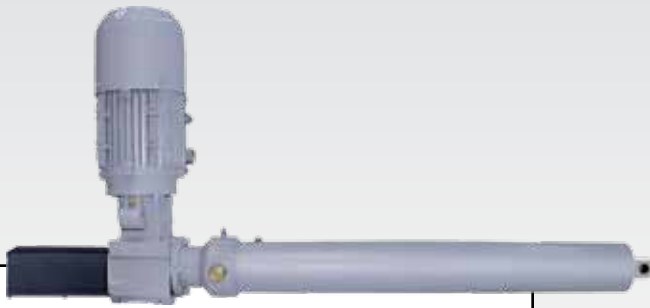
Part Number	Rated Load		Standard Stroke Lengths		Retracted Length in (mm)	Speed		Max Stroke		Motor	
	lbs	N	in	mm		in/min	mm/s	in	mm	HP	kW
NU03EX-0451	2270	10,096	6, 12, 18, 24, 36	152, 304, 459, 609, 914	10.94 (277) + (1.25 x Stroke)	155.7	66	61	1549	1	0.75
NU03EX-0572	2879	12,804				122.7	52	61	1549	1	0.75
NU03EX-0643	3236	14,394				109.2	46	61	1549	1	0.75
NU03EX-0748	3764	16,744				93.9	40	58	1473	1	0.75
NU03EX-0837	3159	14,052				83.9	36	61	1549	0.75	0.56
NU03EX-1323	3329	14,808				53.1	22	61	1549	0.5	0.37
NU03EX-1653	4159	18,501				42.5	18	55	1397	0.5	0.37
NU03EX-1851	4657	20,717				37.9	16	53	1346	0.5	0.37
NU03EX-2190	5510	24,512				32.1	14	48	1219	0.5	0.37
NU03EX-2396	6029	26,817				29.3	12	46	1168	0.5	0.37

Consult the factory for additional speeds and capacities. Stroke lengths are available in 1 inch increments, please contact the factory for details.

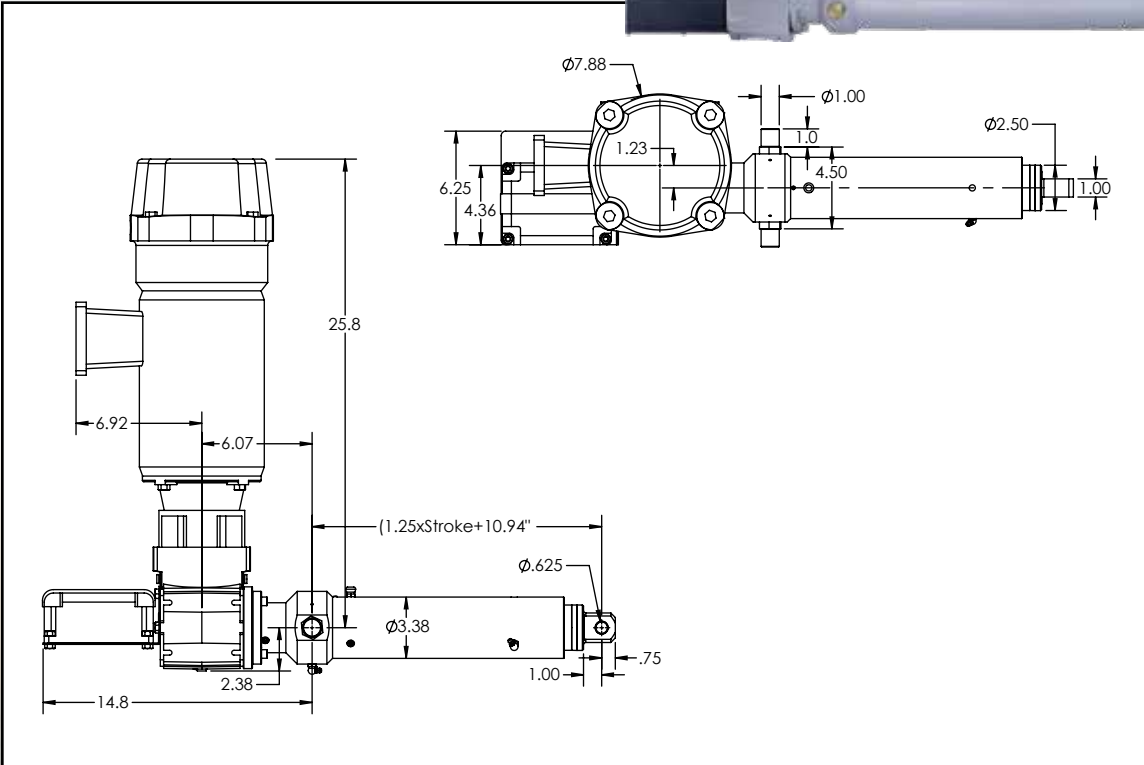
# SERIES

## SCN03 HAZARDOUS RATED

### 3 TON (26.6 kN)



RIGHT ANGLE



## PRODUCT INFORMATION

Part Number	Rated Load		Standard Stroke Lengths		Retracted Length in (mm)	Speed		Maximum Stroke		Motor	
	lbs	N	in	mm		in/min	mm/s	in	mm	HP	kW
NL03EX-0358	1802	8018	6, 12, 18, 24, 36	152, 304, 459, 609, 914	10.94 (277) + (1.25 x Stroke)	196.1	83	61	1549	1	0.75
NL03EX-0397	1998	8891				176.9	75	61	1549	1	0.75
NL03EX-0465	2340	10413				151.0	64	61	1549	1	0.75
NL03EX-0517	2602	11596				135.8	57	61	1549	1	0.75
NL03EX-0583	2934	13056				120.4	51	61	1549	1	0.75
NL03EX-0667	3357	14938				105.3	45	61	1549	1	0.75
NL03EX-0758	3815	16976				92.6	39	58	1473	1	0.75
NL03EX-1111	2795	12437				63.2	27	61	1549	1/2	0.37
NL03EX-1278	3216	14311				54.9	23	61	1549	1/2	0.37
NL03EX-1600	4026	17915				43.9	19	57	1447	1/2	0.37
NL03EX-1852	4660	20737				37.9	16	53	1346	1/2	0.37
NL03EX-2080	5234	23291				33.8	14	50	1270	1/2	0.37
NL03EX-2407	6000	26700				29.2	12	46	1168	1/2	0.37

Consult the factory for additional speeds and capacities. Stroke lengths are available in 1 inch increments, please contact the factory for details.