

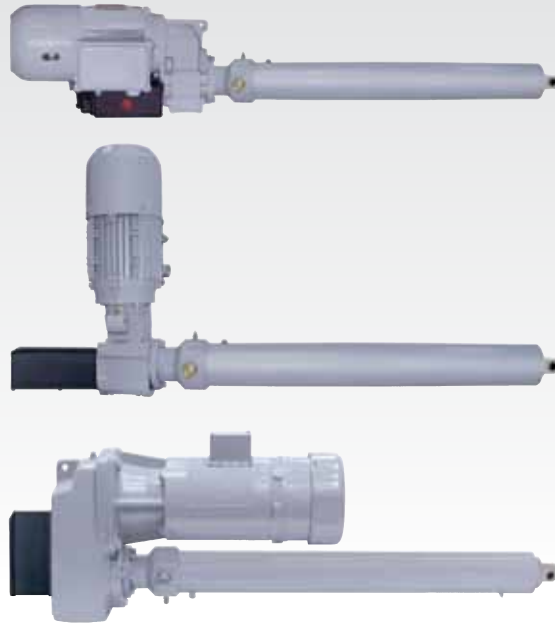
SERIES

SCN03

3 TON (26.6 kN)

SPEED:	Up to 196.1 in/min (83 mm/s)
BRAKE MOTOR:	TEFC 230/460 VAC, 3 ph, 60 Hz
STROKES:	Up to 61 in (1549 mm)
TEMPERATURE RANGE:	0°F to 120°F (-18°C to 50°C)*

*For other temperatures please consult the factory



FEATURES & BENEFITS

- Easy to install - reduces installation costs
- Custom designed for your application
- Low maintenance design - easy to maintain after installation
- Long product life expectancy
- Ball screw
- Ductile iron housing
- Chrome plated translating tube
- Adjustable end of stroke limit switches
- Clevis and trunnion mounting
- Motor configuration include: parallel, right angle and OFFSET

OPTIONS

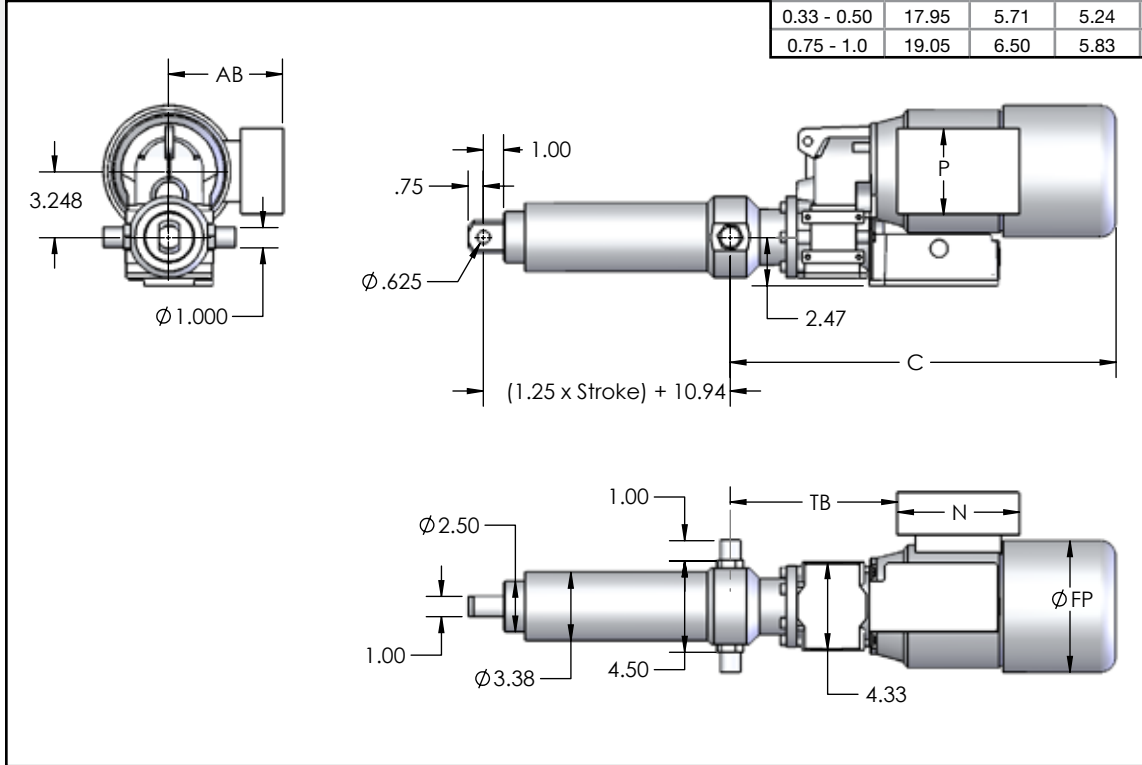
- Food grade component options available
- Explosion proof motor and limit switch (see pages 36-39)
- Product designs for outdoor applications
- Manual override
- Other special packages are available upon your application needs





OFFSET MOTOR

Motor HP	C	FP	AB	TB	N	P
0.16 - 0.25	17.00	5.17	4.84	7.94	5.20	3.43
0.33 - 0.50	17.95	5.71	5.24	8.25	5.20	3.43
0.75 - 1.0	19.05	6.50	5.83	8.21	6.02	4.25



PRODUCT INFORMATION

Part Number	Rated Load		Standard Stroke Lengths		Retracted Length	Speed		Max Stroke		Motor	
	lbs	N	in	mm	in (mm)	in/min	mm/s	in	mm	HP	kW
NZ03-0424	2134	9492	6, 12, 18, 24, 36	152, 304, 457, 609, 914	10.94 (277) + (1.25 x Stroke)	165.6	70	61	1549	1	0.74
NZ03-0534	2687	11,952				131.5	56	61	1549	1	0.74
NZ03-0635	3196	14,216				110.6	47	61	1549	1	0.74
NZ03-0726	3654	16,235				96.7	41	59	1499	1	0.74
NZ03-0864	3261	14,505				81.3	34	61	1549	3/4	0.56
NZ03-0949	3582	15,933				74.0	31	59	1499	3/4	0.56
NZ03-1166	2934	13,051				60.2	25	61	1549	1/2	0.37
NZ03-1384	3482	15,487				50.7	21	60	1524	1/2	0.37
NZ03-1492	3754	16,697				47.1	20	58	1473	1/2	0.37
NZ03-1653	4159	18,499				42.5	18	55	1397	1/2	0.37
NZ03-1879	4728	21,031				37.4	16	52	1321	1/2	0.37
NZ03-2235	3712	16,511				31.4	13	58	1473	1/3	0.24
NZ03-2455	4077	18,143				28.6	12	56	1422	1/3	0.24
NZ03-2913	4838	21,519				24.1	10	51	1295	1/3	0.24
NZ03-3181	5283	23,498				22.1	9	49	1244	1/3	0.24
NZ03-3480	5779	25,706				20.2	9	47	1193	1/3	0.24
NZ03-3773	6000	26,689				18.6	8	45	1143	1/3	0.24
NZ03-4185	5265	23,419				16.8	7	49	1245	1/4	0.19
NZ03-4965	6000	26,689				14.1	6	45	1143	1/4	0.19
NZ03-5933	6000	26,689				11.8	5	41	1041	1/4	0.19
NZ03-8171	6000	26,689	8.6	4	44	1118	1/6	0.12			

Consult the factory for additional speeds and capacities. Stroke lengths are available in 1 inch increments, please contact the factory for details.

SERIES

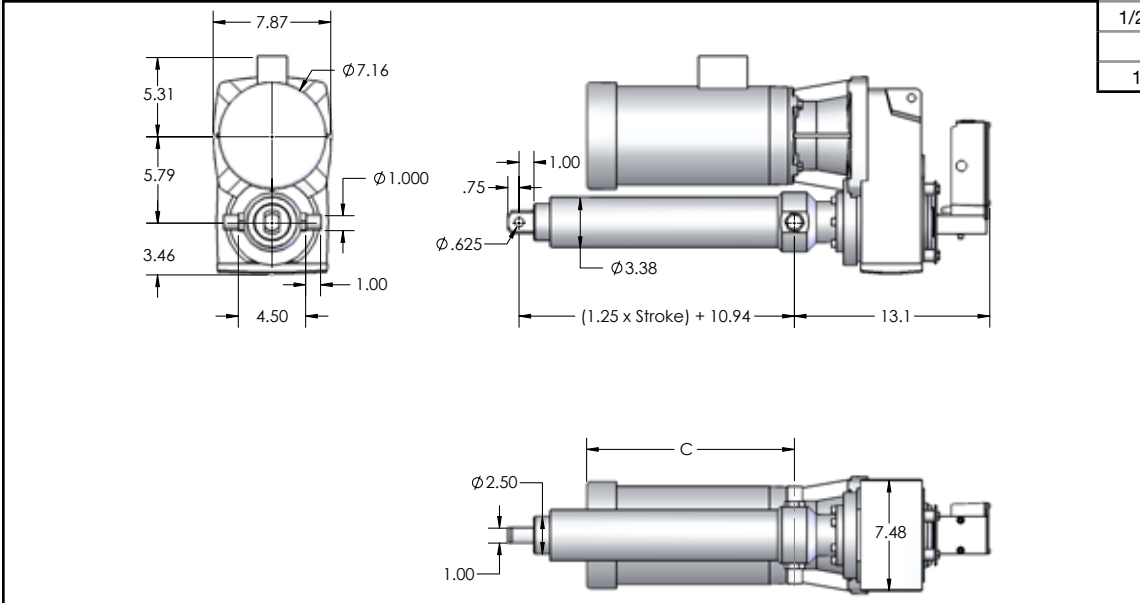
SCN03

3 TON (26.6 kN)



PARALLEL MOTOR

Motor HP	C
1/3	11.92
1/2 - 3/4	13.42
1	13.92
1-1/2	15.36



PRODUCT INFORMATION

Part Number	Rated Load		Standard Stroke Lengths		Retracted Length in (mm)	Speed		Max Stroke		Motor	
	lbs	N	in	mm		in/min	mm/s	in	mm	HP	kW
NU03-0451	3404	15,141	6, 12, 18, 24, 36	152, 304, 457, 609, 914	10.94 (277) + (1.25 x Stroke)	155.7	66	61	1549	1-1/2	1.11
NU03-0572	2879	12,806				122.7	52	61	1549	1	0.74
NU03-0643	3236	14400				109.2	46	61	1549	1	0.74
NU03-0748	3764	16749				93.9	40	58	1473	1	0.74
NU03-0837	3159	14,051				83.9	36	61	1549	3/4	0.56
NU03-0903	3408	15165				77.8	33	61	1549	3/4	0.56
NU03-1015	3831	17,048				69.2	29	57	1447	3/4	0.56
NU03-1181	2972	13,220				59.4	25	61	1549	1/2	0.37
NU03-1323	3329	14814				53.1	22	61	1549	1/2	0.37
NU03-1653	4159	18,508				42.5	18	55	1397	1/2	0.37
NU03-1851	3074	13,673				37.9	16	61	1549	1/3	0.24
NU03-2190	3637	16184				32.1	14	59	1499	1/3	0.24
NU03-2396	3979	17706				29.3	12	56	1422	1/3	0.24
NU03-2497	4147	18454				28.1	12	55	1397	1/3	0.24
NU03-2683	3375	15,012				26.2	11	61	1549	1/4	0.19
NU03-2965	3730	16,599				23.7	11	58	1473	1/4	0.19
NU03-3123	3929	17,484				22.5	10	57	1447	1/4	0.19
NU03-3654	4597	20456				19.2	8	52	1320	1/4	0.19
NU03-3718	4678	20,817				18.9	8	52	1321	1/4	0.19
NU03-4511	3632	16,155				15.6	7	59	1499	1/6	0.12
NU03-5396	4345	19335				13.0	6	54	1371	1/6	0.12
NU03-6383	5139	22868				11.0	5	50	1270	1/6	0.12
NU03-6967	5610	24,965				10.1	4	47	1193	1/6	0.12
NU03-8242	6000	26,700				8.5	4	44	1117	1/6	0.12
NU03-10098	6000	26700				7.0	3	39	990	1/6	0.12
NU03-10407	6000	26700				6.7	3	39	990	1/6	0.12
NU03-12751	6000	26700				5.5	2	35	889	1/6	0.12

Consult the factory for additional speeds and capacities. Stroke lengths are available in 1 inch increments, please contact the factory for details.

