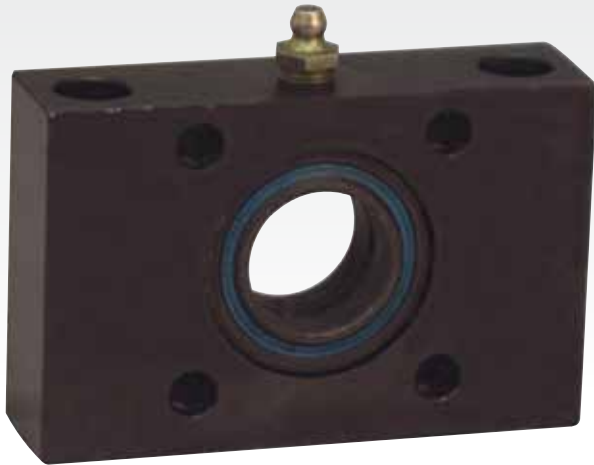


SUPERCYLINDER

MOUNTING COMPONENTS

TRUNNION BLOCKS



ANSI Standard through holes, and black oxide finish



ANSI Standard tapped holes, and dust seal

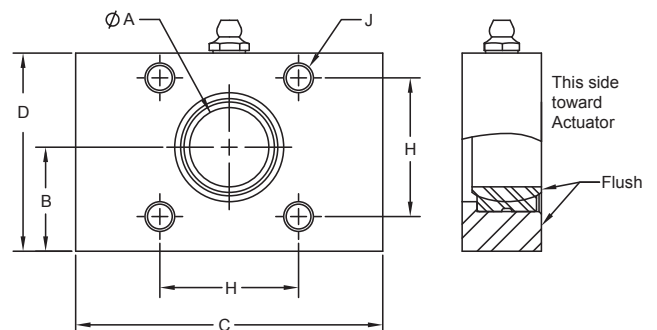
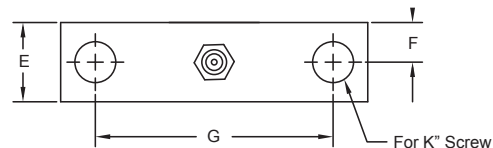
Duff-Norton SCN and SCD SuperCylinders are available with trunnion mounting only and are fitted with trunnion pins as standard. The trunnion pins are designed to fit standard dimension radial spherical plain bearings (Torrington type SF, or SKF type GEZ, for example). Duff-Norton offers Trunnion Blocks to facilitate the installation of SCN and SCD series SuperCylinders. These blocks are solid steel and house properly sized spherical plain bearings. The blocks are drilled for mounting either as a conventional pillow blocks or as a flange units. Heat-treated fasteners should be used for all attachments.

If Duff-Norton Trunnion Blocks are not chosen for the SuperCylinder's installation, we strongly recommended that the trunnion pins be supported by some type of self-aligning bearing, as perfect alignment of trunnion support bearings is difficult to achieve. Standard pillow blocks are not recommended, as their maximum static load rating is usually less than that of the SuperCylinder. In addition, most pillow blocks use gray cast iron frames, which are subject to fracture under heavy loads.

PRODUCT SPECIFICATIONS

Capacity	Part #	A	B	C	D	E	F	G	H	J	K
3 Ton	NZ03-510	1.00	1.31	3.87	2.50	1.00	0.50	3.00	1.75	3/8-16	1/2
6 Ton	NZ06-510	1.25	1.56	4.50	3.00	1.12	0.56	3.50	2.00	1/2-13	5/8
12 Ton	NZ12-510	1.75	2.06	5.50	4.00	1.50	0.75	4.25	2.75	5/8-11	3/4
25 Ton	NZ25-510	2.25	2.56	7.50	5.00	2.00	1.00	5.50	3.25	3/4-10	1-1/4

Measurements in inches



HOW TO ORDER:

SuperCylinder Series	Mounting Blocks (2 Required)
NZ03, NL03, NU03	Part No. NZ03-510
NZ06, NL06, NU06	Part No. NZ06-510
NZ12, NL12, NU12	Part No. NZ12-510
NZ25, NL25, NU25	Part No. NZ25-510