

ACME SCREWS & NUTS

Duff-Norton has been manufacturing Acme screws and nuts for our actuator products for decades, and is now applying those years of experience to bring you an expanded assortment of Acme screws and nuts for your application requirements. Consider these advantages:

Multiple Leads



Nine inch screws for steel processing applications



Multiple Diameters



FEATURES & BENEFITS

Performance

- Excellent performance ratings.

Quality

- Centralizing class screw and nut assemblies. Good lead accuracy.

Delivery

- In stock on the most popular sizes.

Broad Assortment

- We offer a very broad assortment of acme diameters and leads.

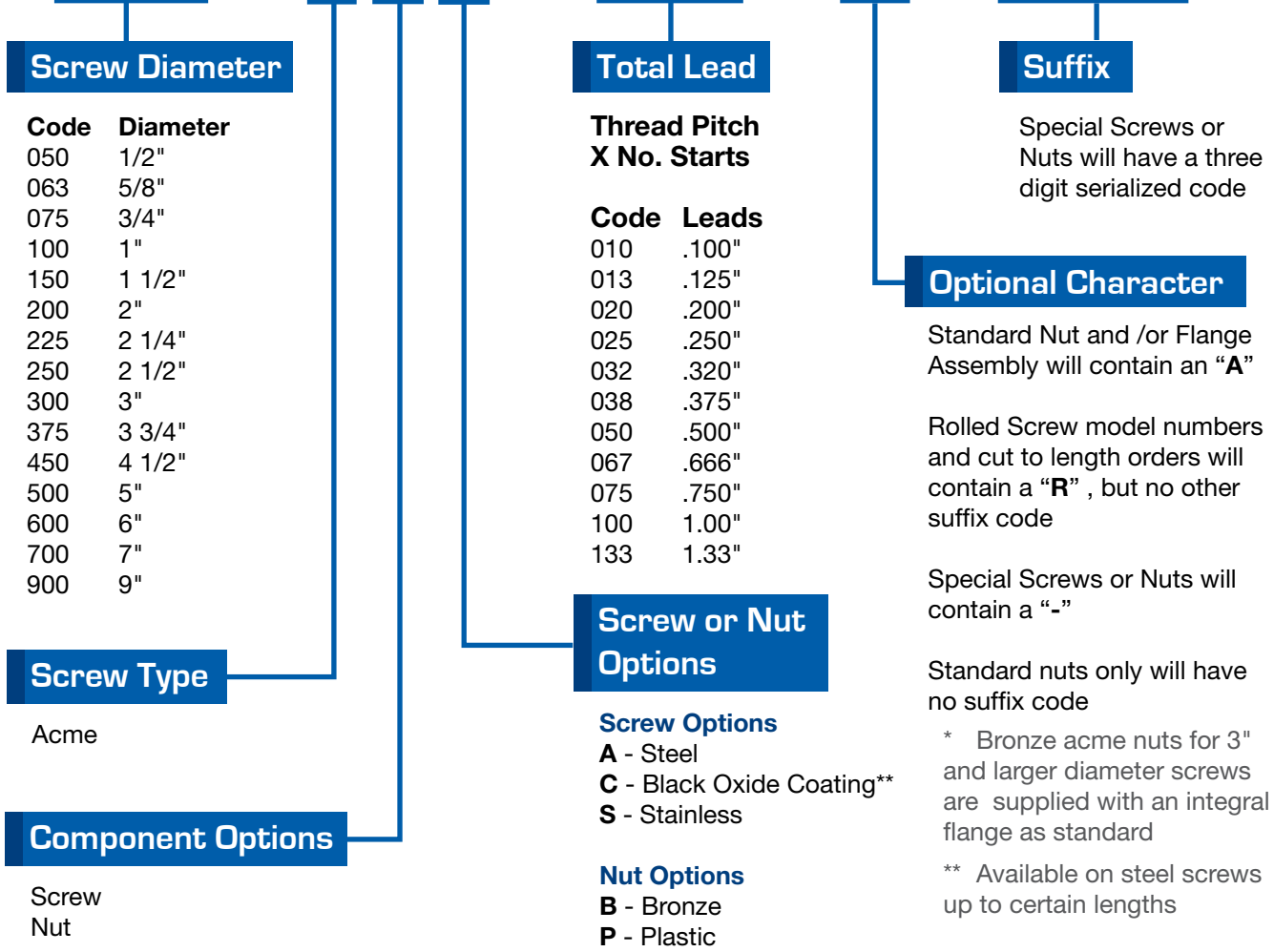
System Integration

- Duff-Norton can provide you with an entire screw and nut system: mounting components, drive components, controls, and protective coverings.

Customer Service

- Talk to one of our knowledgeable customer service agents or application engineers.

050 - ASA - 050 - X - XXX



ACME SCREWS & NUTS TWIN LEAD SCREWS

Twin Lead Screws can be used in applications where opposing motion is required such as paint/coatings, food processing, material handling, plastic molding, and automated assembly applications.

Our production techniques allow for the following features:

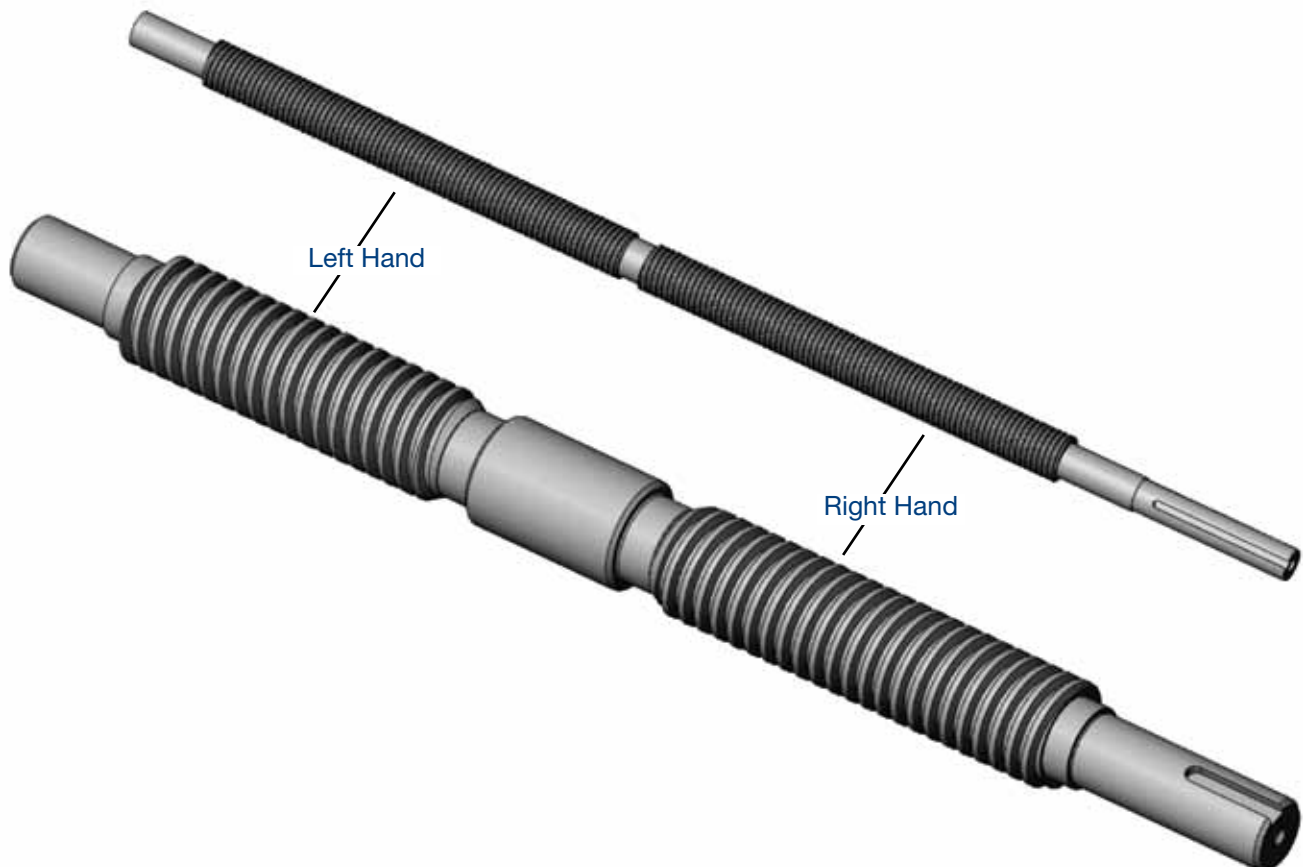
- 1 inch minimum gap between fully usable opposing acme threads
- Flexible availability with long overall and/or acme thread lengths*
- Different thread lengths available on opposing sides
- Flexibility with journal end machining
- Screw material options:
 - Carbon Steel
 - Stainless Steel
 - Black Oxide coating (some maximum length restrictions apply)

Can be used with Duff Norton acme nuts (bronze or plastic), end blocks, and other drive and control components.

*NOTE

Please consult our Engineering Guide pages 131-142 for specific application information such as Critical Speeds, and Column Loading recommendations.

Twin Lead Screws



ACME SCREWS & NUTS COMBINATION LEAD SCREW

Combination Lead Screws can be used in applications where dual motion is required along the same shaft length, but at different travel rates. This is advantageous in applications where space is restricted and there simply is not room for more than one screw.

A requirement for such screw designs is to account for the differences needed in the threaded length based on the travel rate while the screw is being turned. For instance, on a screw with a combination of 1/2-inch TPI and 1/4-inch TPI, the threaded length of the 1/2-inch section would need to be twice as long as the threaded length of the 1/4-inch section.

Our production techniques allow for the following features:

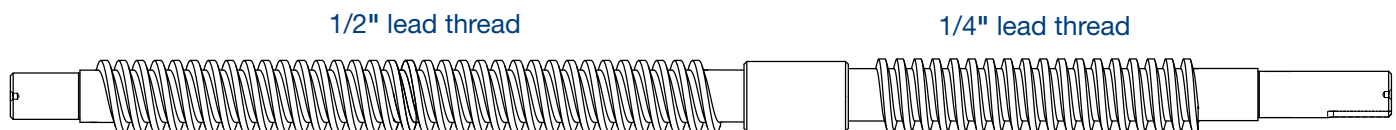
- 1 inch minimum gap between acme threads
- Flexible availability with long overall and/or acme thread lengths*
- Flexibility with journal end machining
- Screw material options:
 - Carbon Steel
 - Stainless Steel
 - Black Oxide coating (some maximum length restrictions apply)

Can be used with Duff Norton acme nuts (bronze or plastic), end blocks, and other drive and control components.

*NOTE

Please consult our Engineering Guide pages 131-142 for specific application information such as Critical Speeds, and Column Loading recommendations. .

Combination Lead Screws



ACME

SCREWS & NUTS

QUICK REFERENCE

Acme Screw & Nut Right-Hand Selection Overview

Screw Diameter (in)	Acme Screw Part Number	Screw Lead (in)	Turns Per Inch	Thread Starts	Standard Length	Root Diameter (in)	Acme Nut Part Number	Acme Nut Description	Flange Part Number	
1/2	050ASA010R	0.100	10	Single RH	6 ft.	.359	050ANB010	Bronze	FL0937	
	050ASA020R	0.200	5			.362	050ANB020			
	050ASA025R	0.250	4			.381	050AN(B,P)025			
	050ASA050R	0.500	2	Double RH		.377	050AN(B,P)050	Bronze or Plastic		
5/8	063ASA010R	0.100	10	Single RH	6 ft.	.484	063ANB010	Bronze	FL0937	
	063ASA013R	0.125	8			.470	063ANB013			
	063ASA020R	0.200	5			.487	063ANB020			
	063ASA025R	0.250	4			Double RH	.506	063AN(B,P)025		Bronze or Plastic
	063ASA050R	0.500	2	063AN(B,P)050						
3/4	075ASA010R	0.100	10	Single RH	12 ft.	.608	075ANB010	Bronze	FL1000	
	075ASA020R	0.200	5			.517	075ANB020			
	075ASA025	0.250	4		5 ft.	.450	075AN(B,P)025	Bronze or Plastic		
	075ASA050	0.500	2	Double RH			075AN(B,P)050			
1	100ASA010R	0.100	10	Single RH	12 ft.	.857	100ANB010	Bronze	FL1375	
	100ASA020R	0.200	5			.751	100ANB020			
	100ASA025R	0.250	4			Double RH	.715	100AN(B,P)025		Bronze or Plastic
	100ASA050R	0.500	2					100AN(B,P)050		
	100ASA100R	1.000	1	Quad RH		100AN(B,P)100				
1-1/2	150ASA010R	0.100	10	Single RH	12 ft.	1.355	150ANB010	Bronze	FL1967	
	150ASA020R	0.200	5			1.249	150ANB020			
	150ASA025R	0.250	4			1.215	150AN(B,P)025			
	150ASA038R	0.375	2.67	Double RH		1.053	150AN(B,P)038	Bronze or Plastic		
	150ASA050R	0.500	2			1.196	150AN(B,P)050			
	150ASA100R	1.000	4	Quad RH		150AN(B,P)100				
2	200ASA025	0.250	4	Single RH	12 ft.	1.713	200ANB025	Bronze	FL2548	
	200ASA050R	0.500	2			1.435	200ANB050			
2-1/4	225ASA025	0.250	4	Single RH	12 ft.	1.944	225ANB025	Bronze	FL3137	
	225ASA050R	0.500	2			1.685	225ANB050			
2-1/2	250ASA025	0.250	4	Single RH	12 ft.	2.213	250ANB025	Bronze	FL3137	
	250ASA050R	0.500	2			1.934	250ANB050			
3	300ASA032	0.320	3.125	Single RH	12 ft.	2.761	300ANB032	Bronze	FL3137	
	300ASA067R	0.666	1.520			2.548	300ANB067			
3-3/4	375ASA032	0.320	3.125	Single RH	12 ft.	3.390	375ANB032	Bronze	FL3137	
	375ASA067R	0.666	2.000			3.297	375ANB067			
	375ASA133	1.330	0.750	Double RH		3.295	375ANB133			
4-1/2	450ASA032	0.320	3.125	Single RH	12 ft.	4.139	450ANB032	Bronze Nuts with Integral Flanges	Bronze Nuts with Integral Flanges	
	450ASA067	0.666	1.520			3.978	450ANB067			
5	500ASA067	0.666	1.520	Single RH	12 ft.	4.343	500ANB067	Bronze	FL3137	
6	600ASA075	0.750	1.330	Single RH	12 ft.	5.196	600ANB075	Bronze	FL3137	
	600ASA100	1.000	1.000			5.074	600ANB100			
7	700ASA100	1.000	1.000	Single RH	12 ft.	6.058	700ANB100	Bronze	FL3137	
9	900ASA100	1.000	1.000	Single RH	12 ft.	7.850	900ANB100	Bronze	FL3137	

Note: Unless otherwise specified all dimensions are in inches

Note: Model numbers with an asterisk have Modified Square Threads

Acme Screw & Nut Left-Hand Selection Overview

Screw Diameter (in)	Acme Screw Part Number	Screw Lead (in)	Turns Per Inch	Thread Starts	Standard Length	Root Diameter (in)	Acme Nut Part Number	Acme Nut Description	Flange Part Number
3/4	075ASA010L	0.100	10	Single LH	12 ft.	.608	075ANB010L	Bronze	FL1000
1	100ASA010L	0.100	10	Single LH	12 ft.	.857	100ANB010L	Bronze	FL1375
	100ASA020L	0.200	5	Single LH	12 ft.	.751	100ANB020L	Bronze	FL1375
	100ASA025L	0.250	4	Single LH	12 ft.	.715	100AN(B,P)025L	Bronze or Plastic	FL1375
1-1/2	150ASA010L	0.100	10	Single LH	12 ft.	1.355	150ANB010L	Bronze	FL1967
	150ASA020L	0.200	5	Single LH	12 ft.	1.249	150ANB020L	Bronze	FL1967
	150ASA025L	0.250	4	Single LH	12 ft.	1.215	150AN(B,P)025L	Bronze or Plastic	FL1967
2	200ASA025L	0.250	4	Single LH	12 ft.	1.713	200ANB025L	Bronze	FL2548

