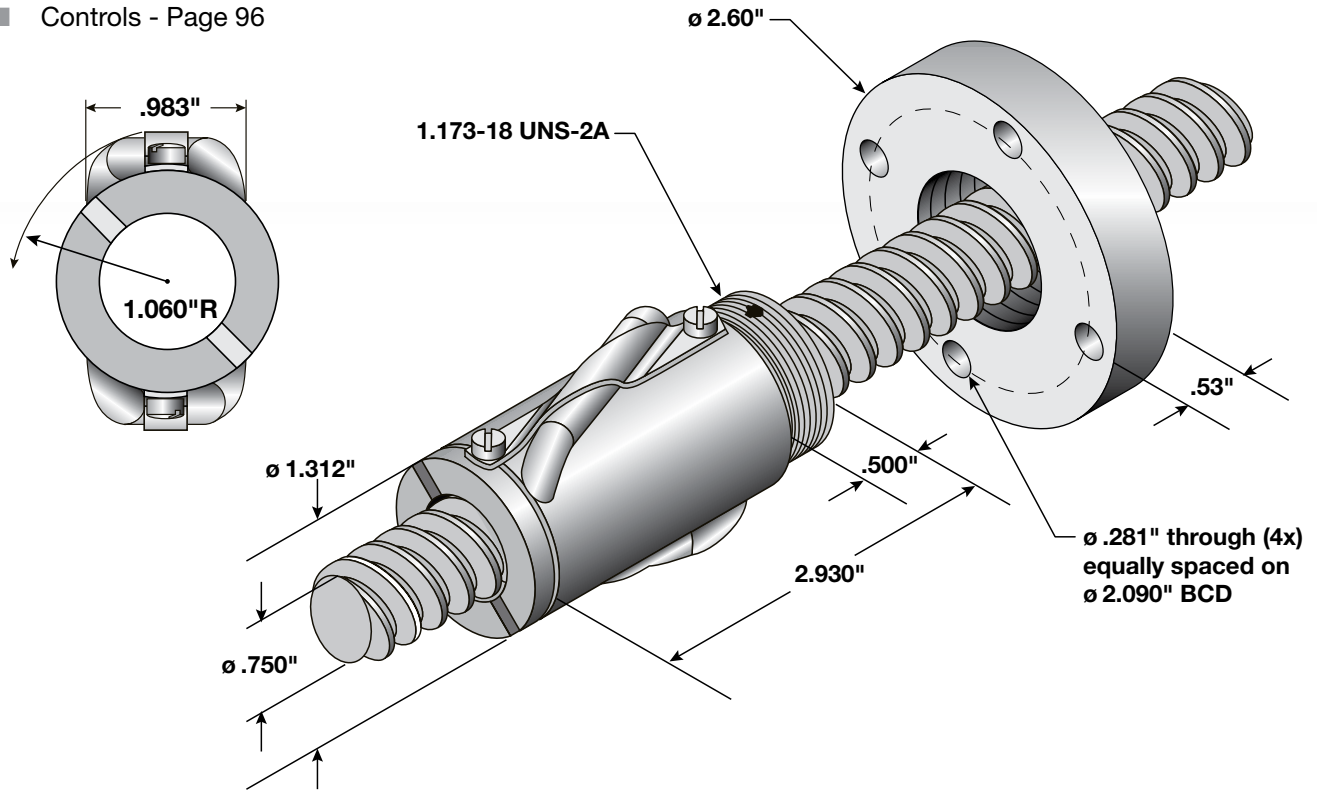


# BALL SCREWS & NUTS

3/4 x .500 Inch (.750 x .500 Inch) - Right Hand

Duff-Norton offers complete close mounted systems to complement these screw & nut assemblies as follows:

- Screw Journal Ends - Page 64
- End Blocks - Page 66
- Motor Flanges - Page 70
- Gearmotors - Page 76
- Controls - Page 96



## Ball Screw & Nut 3/4 x .500 (.750 x .500 Inch) Diameter - Right Hand

Ball Screw	Screw Dia.	Lead	Pitch	No. Starts	Root Dia.	Thread Form	Material	Maximum Backlash	Standard Lengths		
									36 Inch	72 Inch	144 Inch
075BSA050	.750	.500	.250	2	.630	Ball RH	Alloy	.002 to .015	Yes	Yes	—
Ball Nut	*Static Load	*Dynamic Load	*Max. Speed	T.P.I.	Efficiency	Torque to Raise 1 Lb.	Material	Mounting Thread	Mounting Length	Nut Length	Nut Diameter
075BNH050	24,200	3,450	800.00	2	+90%	0.088	Steel	1.173-18 UNS-2A	.500	2.930	1.312
Flange	Overall Dia.	Bolt Cir. Dia.	Bolt Hole Dia.	Mounting Holes	Flange Width	Treated	Material	Mounting Thread			
FL1173	2.60	2.090	.281	4	.53	Black Oxide	Steel	1.173-18 UNS-2B	2	.983	1.060

Note: Unless otherwise specified, all capacities are in Pounds, all dimensions are in Inches, and all speeds are in Inches per Minute.

\*Load ratings are based on what the screw & nut assembly is capable of achieving. Actual load performance for a given screw and nut assembly will vary from application to application.

\*Speed ratings are based on a DN spec of 3000, actual speeds will vary from application to application.

Please contact our customer service department for assistance.