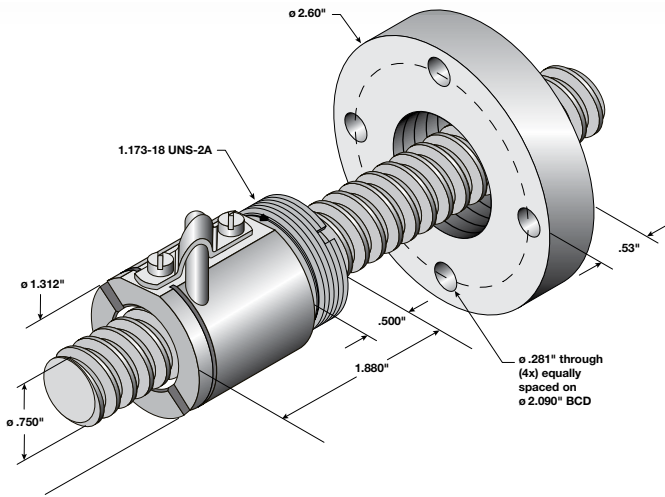
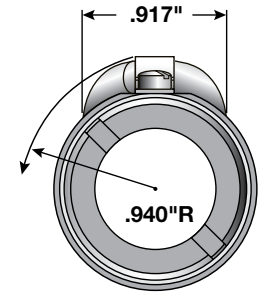
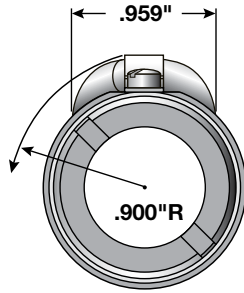


BALL SCREWS & NUTS

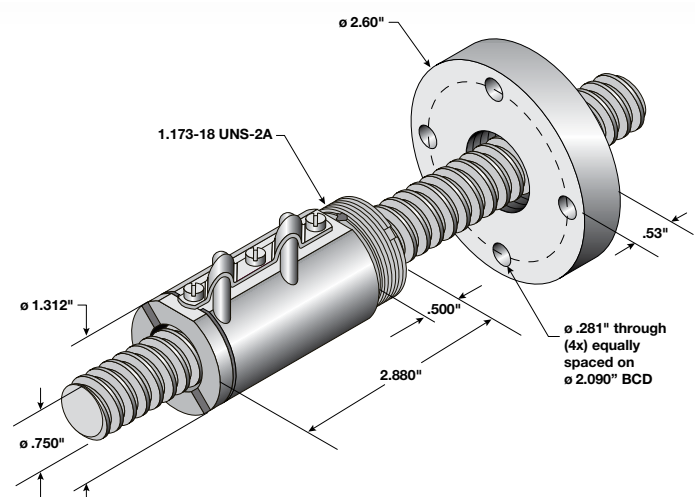
3/4 x .200 Inch (.750 x .200 Inch) - Right Hand

Duff-Norton offers complete close mounted systems to complement these screw & nut assemblies as follows:

- Screw Journal Ends - Page 64
- End Blocks - Page 66
- Motor Flanges - Page 70
- Gearmotors - Page 76
- Controls - Page 96



Single Return Tube Ball Nut



Double Return Tube Ball Nut

Ball Screw & Nut 3/4 x .200 (.750 x .200 Inch) Diameter - Right Hand

Ball Screw and Single Return Tube Ball Nut

| Ball Screw | Screw Dia. | Lead | Pitch | No. Starts | Root Dia. | Thread Form | Material | Maximum Backlash | Standard Lengths | | |
|------------|--------------|----------------|----------------|----------------|--------------|-----------------------|----------|------------------|------------------|------------|--------------|
| | | | | | | | | | 36 Inch | 72 Inch | 144 Inch |
| 075BSA020 | .750 | .200 | .200 | 1 | .660 | Ball RH | Alloy | .002 to .015 | Yes | Yes | — |
| Ball Nut | *Static Load | *Dynamic Load | *Max. Speed | T.P.I. | Efficiency | Torque to Raise 1 Lb. | Material | Mounting Thread | Mounting Length | Nut Length | Nut Diameter |
| 075BNG020 | 7,750 | 950 | 800.00 | 5 | +90% | 0.035 | Steel | 1.173-18 UNS-2A | .500 | 1.880 | 1.312 |
| Flange | Overall Dia. | Bolt Cir. Dia. | Bolt Hole Dia. | Mounting Holes | Flange Width | Treated | Material | Mounting Thread | | | |
| FL1173 | 2.60 | 2.090 | .281 | 4 | .53 | Black Oxide | Steel | 1.173-18 UNS-2B | 1 | .959 | .900 |

Double Return Tube Ball Nut

| Ball Nut | *Static Load | *Dynamic Load | *Max. Speed | T.P.I. | Efficiency | Torque to Raise 1 Lb. | Material | Mounting Thread | Mounting Length | Nut Length | Nut Diameter |
|-----------|--------------|----------------|----------------|----------------|--------------|-----------------------|----------|-----------------|-----------------|------------|--------------|
| 075BNH020 | 18,800 | 1,900 | 800.00 | 5 | +90% | 0.035 | Steel | 1.173-18 UNS-2A | .500 | 2.880 | 1.312 |
| Flange | Overall Dia. | Bolt Cir. Dia. | Bolt Hole Dia. | Mounting Holes | Flange Width | Treated | Material | Mounting Thread | | | |
| FL1173 | 2.60 | 2.090 | .281 | 4 | .53 | Black Oxide | Steel | 1.173-18 UNS-2B | 2 | .917 | .940 |

Note: Unless otherwise specified, all capacities are in Pounds, all dimensions are in Inches, and all speeds are in Inches per Minute.

*Load ratings are based on what the screw & nut assembly is capable of achieving. Actual load performance for a given screw and nut assembly will vary from application to application.

*Speed ratings are based on a DN spec of 3000, actual speeds will vary from application to application.

Please contact our customer service department for assistance.