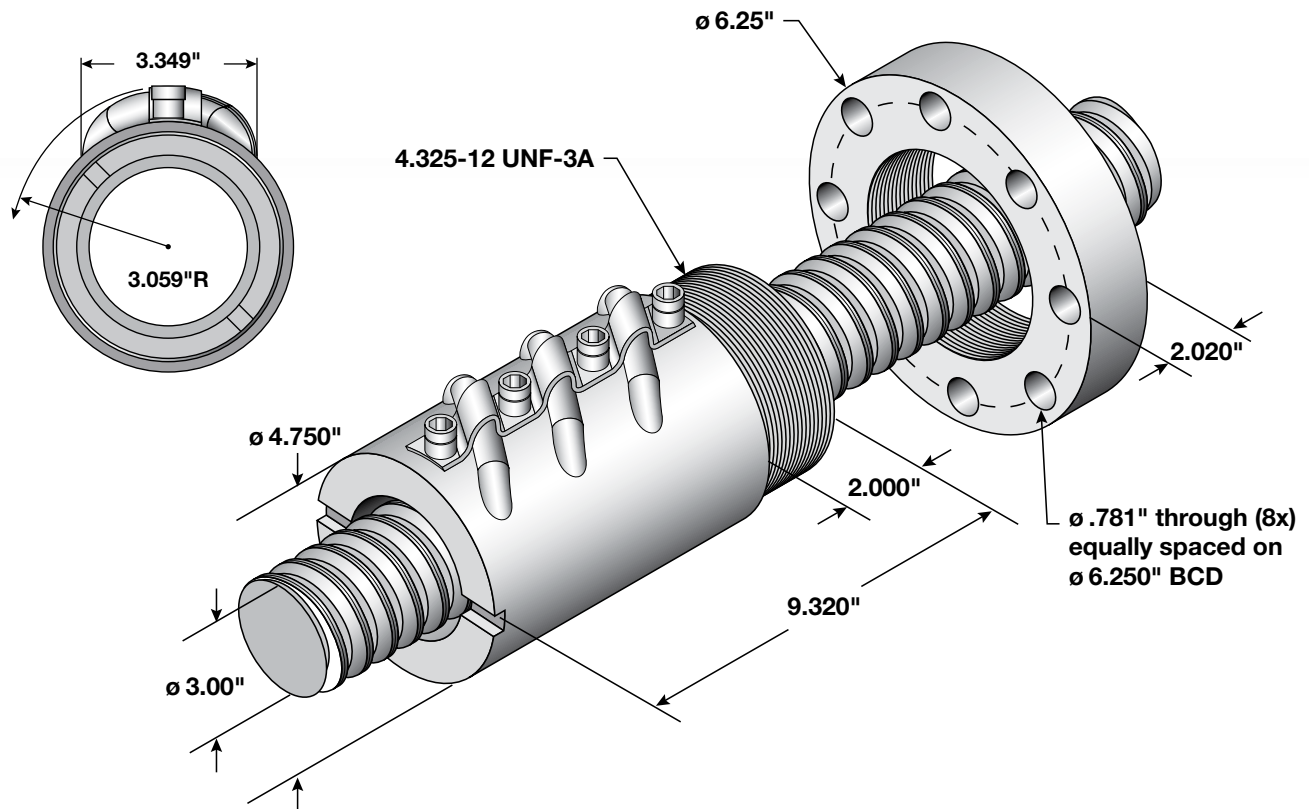


BALL SCREWS & NUTS

3 x .660 Inch (3.00 x .660 Inch) - Right Hand

Duff-Norton offers complete close mounted systems to complement these screw & nut assemblies as follows:

- Screw Journal Ends - Page 64
- End Blocks - Page 66
- Motor Flanges - Page 70
- Gearmotors - Page 76
- Controls - Page 96



Ball Screw & Nut 3 x .660 (3.00 x .660 Inch) Diameter - Right Hand

Ball Screw	Screw Dia.	Lead	Pitch	No. Starts	Root Dia.	Thread Form	Material	Maximum Backlash	Standard Lengths		
									36 Inch	72 Inch	144 Inch
300BSA066	3.000	.660	.660	1	2.480	Ball RH	Alloy	.002 to .015	Yes	Yes	Yes
Ball Nut	*Static Load	*Dynamic Load	*Max. Speed	T.P.I.	Efficiency	Torque to Raise 1 Lb.	Material	Mounting Thread	Mounting Length	Nut Length	Nut Diameter
300BNJ066	323,950	44,316	660.00	1.515	+90%	0.116	Alloy	4.325-12 UNF-3A	2.000	9.320	4.750
Flange	Overall Dia.	Bolt Cir. Dia.	Bolt Hole Dia.	Mounting Holes	Flange Width	Treated	Material	Mounting Thread			
FL4325	7.375	6.250	.781	8	2.020	Black Oxide	Steel	4.325-12 UNF-3B	3	3.356	3.340

Note: Unless otherwise specified, all capacities are in Pounds, all dimensions are in Inches, and all speeds are in Inches per Minute.

*Load ratings are based on what the screw & nut assembly is capable of achieving. Actual load performance for a given screw and nut assembly will vary from application to application.

*Speed ratings are based on a DN spec of 3000, actual speeds will vary from application to application.

Please contact our customer service department for assistance.