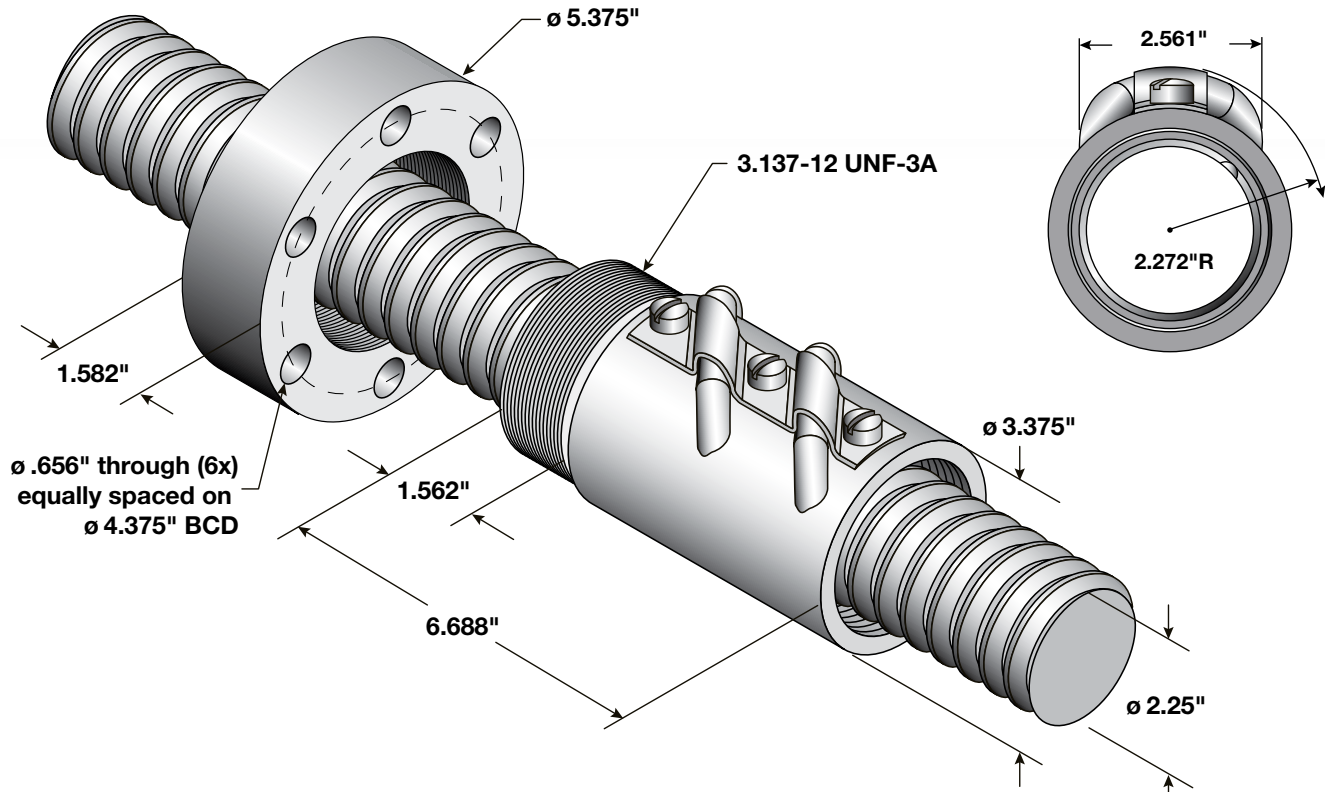


# BALL SCREWS & NUTS

## 2-1/4 x .500 Inch (2.25 x .500 Inch) - Left Hand

Duff-Norton offers complete close mounted systems to complement these screw & nut assemblies as follows:

- Screw Journal Ends - Page 64
- End Blocks - Page 66
- Motor Flanges - Page 70
- Gearmotors - Page 76
- Controls - Page 96



### Ball Screw & Nut 2-1/4 x .500 (2.25 x .500 Inch) Diameter - Left Hand

Ball Screw	Screw Dia.	Lead	Pitch	No. Starts	Root Dia.	Thread Form	Material	Maximum Backlash	Standard Lengths		
									36 Inch	72 Inch	144 Inch
225BSA050L	2.250	.500	.500	1	1.850	Ball RH	Alloy	.002 to .015	Yes	Yes	Yes
Ball Nut	*Static Load	*Dynamic Load	*Max. Speed	T.P.I.	Efficiency	Torque to Raise 1 Lb.	Material	Mounting Thread	Mounting Length	Nut Length	Nut Diameter
225BNH050L	161,150	21,306	667.00	2	+90%	0.088	Alloy	3.137-12 UNF-3A	1.562	6.688	3.375
Flange	Overall Dia.	Bolt Cir. Dia.	Bolt Hole Dia.	Mounting Holes	Flange Width	Treated	Material	Mounting Thread			
FL3137	5.375	4.375	.656	8	1.582	Black Oxide	Steel	3.137-12 UNF-3B	2	2.561	2.272

Note: Unless otherwise specified, all capacities are in Pounds, all dimensions are in Inches, and all speeds are in Inches per Minute.

\*Load ratings are based on what the screw & nut assembly is capable of achieving. Actual load performance for a given screw and nut assembly will vary from application to application.

\*Speed ratings are based on a DN spec of 3000, actual speeds will vary from application to application.

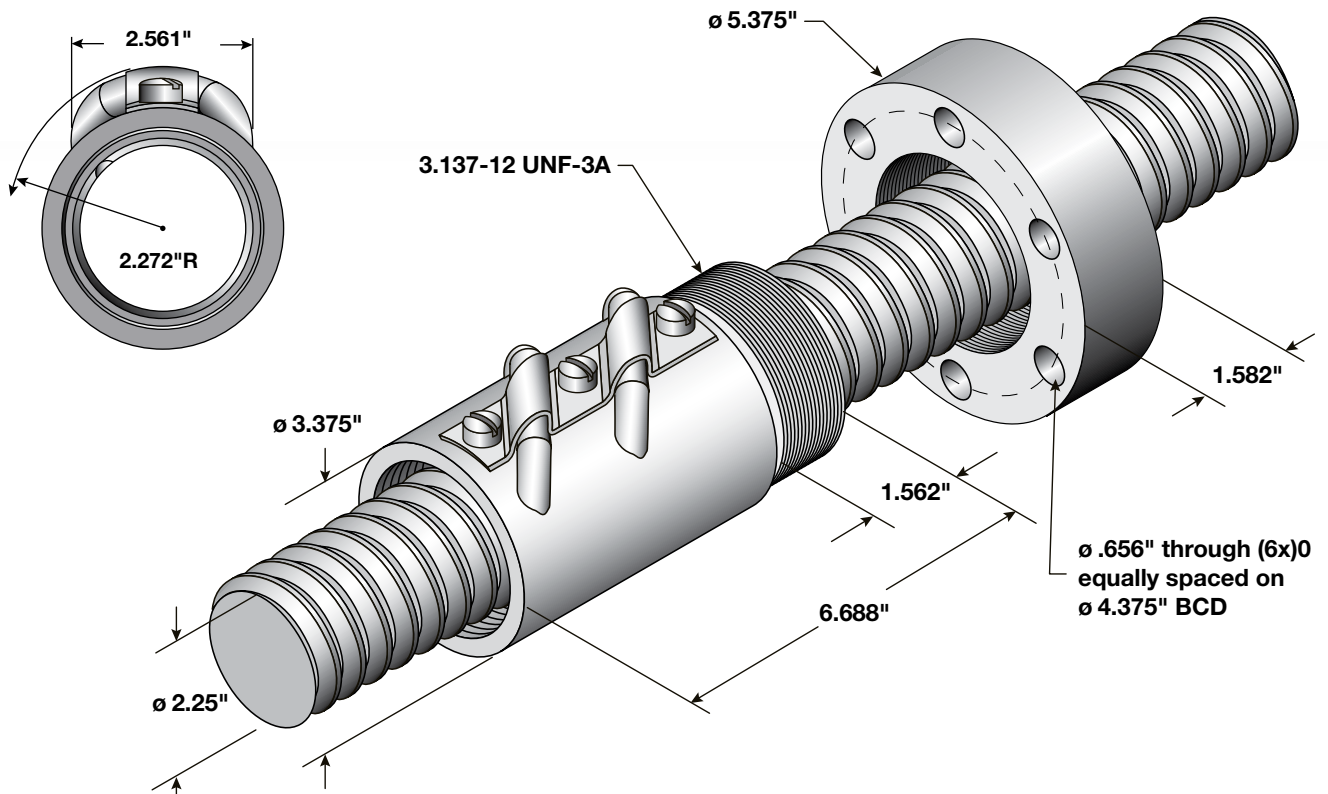
Please contact our customer service department for assistance.

# BALL SCREWS & NUTS

2-1/4 x .500 Inch (2.25 x .500 Inch) - Right Hand

Duff-Norton offers complete close mounted systems to complement these screw & nut assemblies as follows:

- Screw Journal Ends - Page 64
- End Blocks - Page 66
- Motor Flanges - Page 70
- Gearmotors - Page 76
- Controls - Page 96



## Ball Screw & Nut 2-1/4 x .500 (2.25 x .500 Inch) Diameter - Right Hand

Ball Screw	Screw Dia.	Lead	Pitch	No. Starts	Root Dia.	Thread Form	Material	Maximum Backlash	Standard Lengths		
									36 Inch	72 Inch	144 Inch
225BSA050	2.250	.500	.500	1	1.850	Ball RH	Alloy	.002 to .015	Yes	Yes	Yes
Ball Nut	*Static Load	*Dynamic Load	*Max. Speed	T.P.I.	Efficiency	Torque to Raise 1 Lb.	Material	Mounting Thread	Mounting Length	Nut Length	Nut Diameter
225BNH050	161,150	21,306	667.00	2	+90%	0.088	Alloy	3.137-12 UNF-3A	1.562	6.688	3.375
Flange	Overall Dia.	Bolt Cir. Dia.	Bolt Hole Dia.	Mounting Holes	Flange Width	Treated	Material	Mounting Thread			
FL3137	5.375	4.375	.656	6	1.582	Black Oxide	Steel	3.137-12 UNF-3B	2	2.561	2.272

Note: Unless otherwise specified, all capacities are in Pounds, all dimensions are in Inches, and all speeds are in Inches per Minute.

\*Load ratings are based on what the screw & nut assembly is capable of achieving. Actual load performance for a given screw and nut assembly will vary from application to application.

\*Speed ratings are based on a DN spec of 3000, actual speeds will vary from application to application.

Please contact our customer service department for assistance.