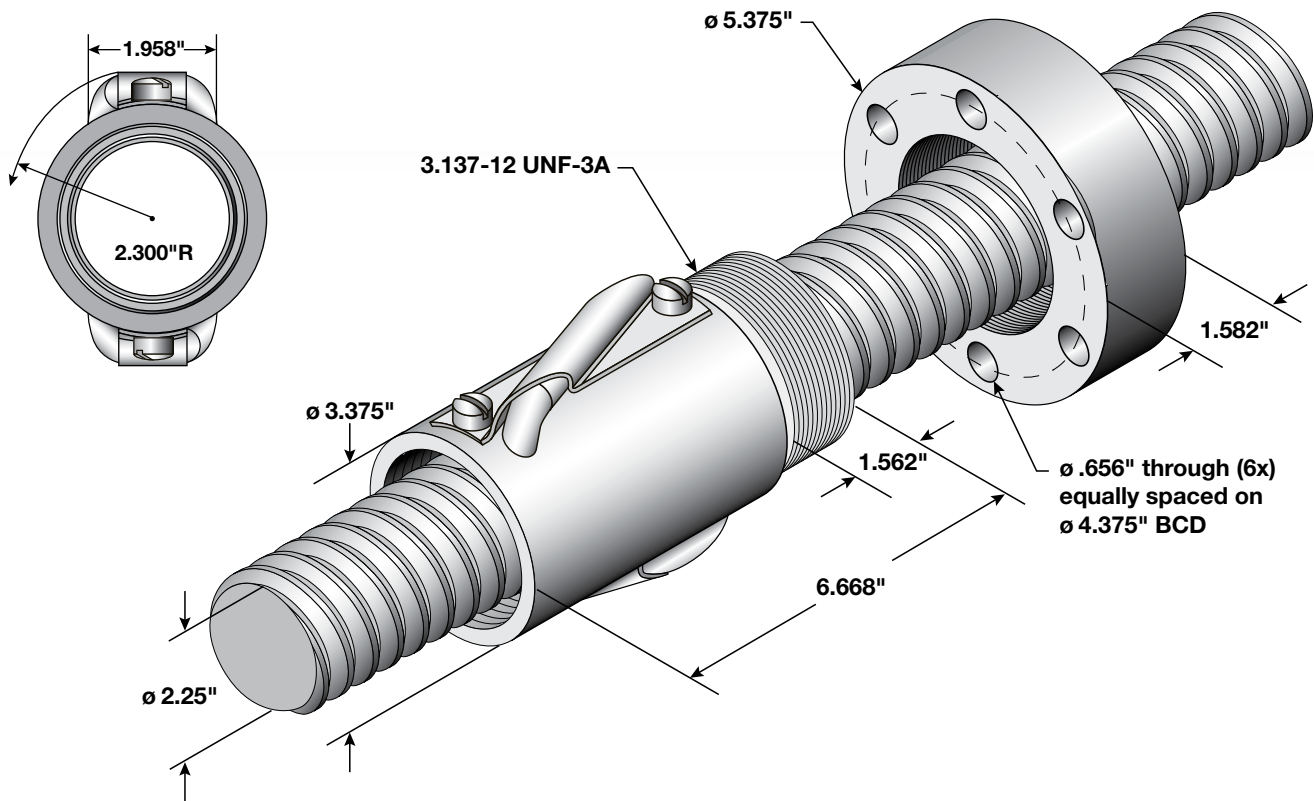


BALL SCREWS & NUTS

2-1/4 x 1.00 Inch (2.25 x 1.00 Inch) - Right Hand

Duff-Norton offers complete close mounted systems to complement these screw & nut assemblies as follows:

- Screw Journal Ends - Page 64
- End Blocks - Page 66
- Motor Flanges - Page 70
- Gearmotors - Page 76
- Controls - Page 96



Ball Screw & Nut 2-1/4 x 1.00 (2.25 x 1.00 Inch) Diameter - Right Hand

| Ball Screw | Screw Dia. | Lead | Pitch | No. Starts | Root Dia. | Thread Form | Material | Maximum Backlash | Standard Lengths | | |
|------------|--------------|----------------|----------------|----------------|--------------|-----------------------|----------|------------------|------------------|------------|--------------|
| | | | | | | | | | 36 Inch | 72 Inch | 144 Inch |
| 225BSA100 | 2.250 | 1.000 | .500 | 2 | 1.850 | Ball RH | Alloy | .002 to .015 | Yes | Yes | Yes |
| Ball Nut | *Static Load | *Dynamic Load | *Max. Speed | T.P.I. | Efficiency | Torque to Raise 1 Lb. | Material | Mounting Thread | Mounting Length | Nut Length | Nut Diameter |
| 225BNH100 | 161,150 | 26538 | 1333.00 | 2 | +90% | 0.176 | Steel | 3.137-12 UNF-3A | 1.562 | 6.688 | 3.375 |
| Flange | Overall Dia. | Bolt Cir. Dia. | Bolt Hole Dia. | Mounting Holes | Flange Width | Treated | Material | Mounting Thread | | | |
| FL3137 | 5.375 | 4.375 | .656 | 6 | 1.582 | Black Oxide | Steel | 3.137-12 UNF-3B | 2 | 1.958 | 2.300 |

Note: Unless otherwise specified, all capacities are in Pounds, all dimensions are in Inches, and all speeds are in Inches per Minute.

*Load ratings are based on what the screw & nut assembly is capable of achieving. Actual load performance for a given screw and nut assembly will vary from application to application.

*Speed ratings are based on a DN spec of 3000, actual speeds will vary from application to application.

Please contact our customer service department for assistance.