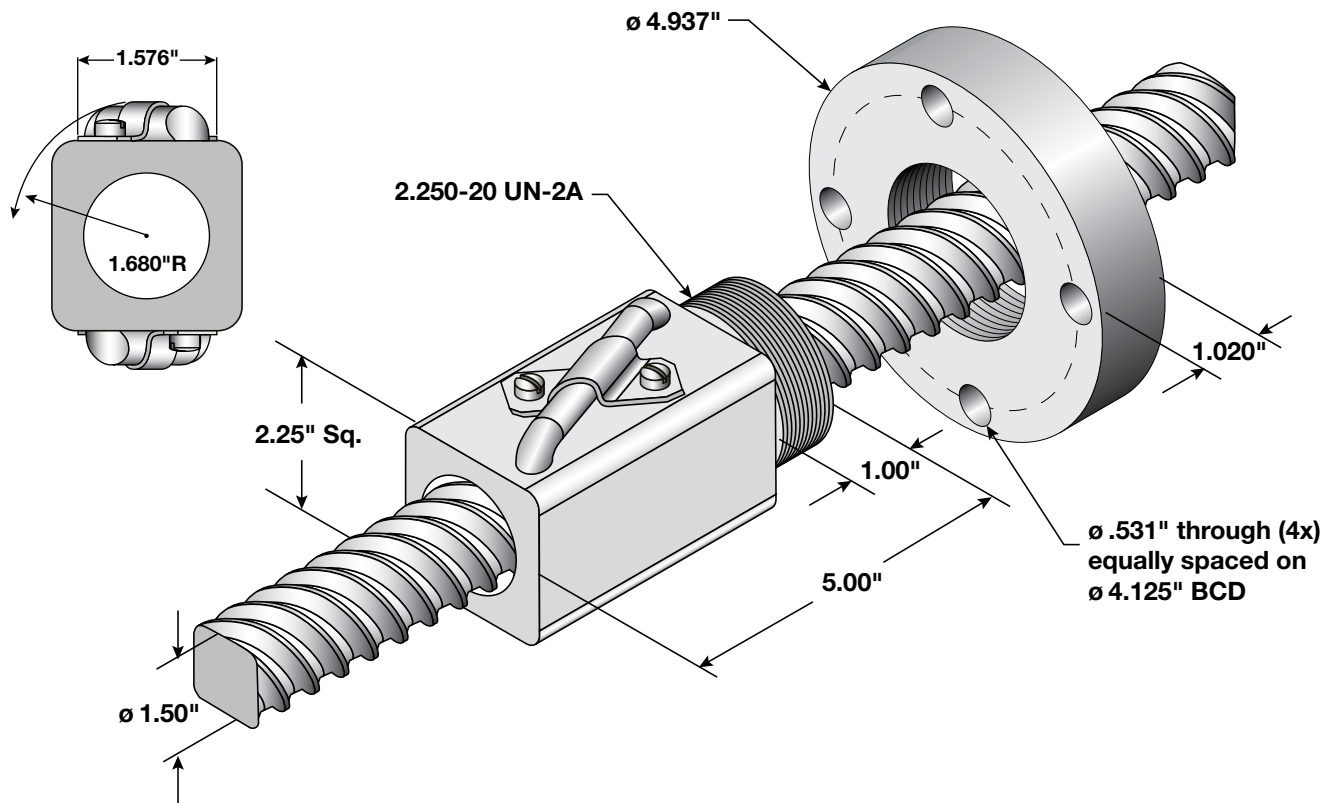


BALL SCREWS & NUTS

1-1/2 x 1.875 Inch (1.50 x 1.875 Inch) - Right Hand

Duff-Norton offers complete close mounted systems to complement these screw & nut assemblies as follows:

- Screw Journal Ends - Page 64
- End Blocks - Page 66
- Motor Flanges - Page 70
- Gearmotors - Page 76
- Controls - Page 96



Ball Screw & Nut 1-1/2 x 1.875 (1.50 x 1.875 Inch) Diameter - Right Hand

| Ball Screw | Screw Dia. | Lead | Pitch | No. Starts | Root Dia. | Thread Form | Material | Maximum Backlash | Standard Lengths | | |
|------------|--------------|----------------|-------------|----------------|--------------|-----------------------|----------|------------------|------------------|------------|--------------|
| | | | | | | | | | 36 Inch | 72 Inch | 144 Inch |
| 150BSA187 | 1.500 | 1.875 | .468 | 4 | 1.190 | Ball | Alloy | .002 to .015 | Yes | Yes | Yes |
| Ball Nut | *Static Load | *Dynamic Load | *Max. Speed | T.P.I. | Efficiency | Torque to Raise 1 Lb. | Material | Mounting Thread | Mounting Length | Nut Length | Nut Diameter |
| 150BNF187 | 29895 | 7242 | 3750.00 | 0.53 | +90% | 0.332 | Steel | 2.250-20 UN-2A | 1.00 | 5.000 | 2.245 Sq. |
| Flange | Overall Dia. | Bolt Cir. Dia. | Hole Dia. | Mounting Holes | Flange Width | Treated | Material | Mounting Thread | | | |
| FL2250 | 4.94 | 4.125 | .531 | 4 | 1.020 | Black Oxide | Steel | 1.250-20 UN-2B | 2 | 1.567 | 1.680 |

Note: Unless otherwise specified, all capacities are in Pounds, all dimensions are in Inches, and all speeds are in Inches per Minute.

*Load ratings are based on what the screw & nut assembly is capable of achieving. Actual load performance for a given screw and nut assembly will vary from application to application.

*Speed ratings are based on a DN spec of 3000, actual speeds will vary from application to application.

Please contact our customer service department for assistance.