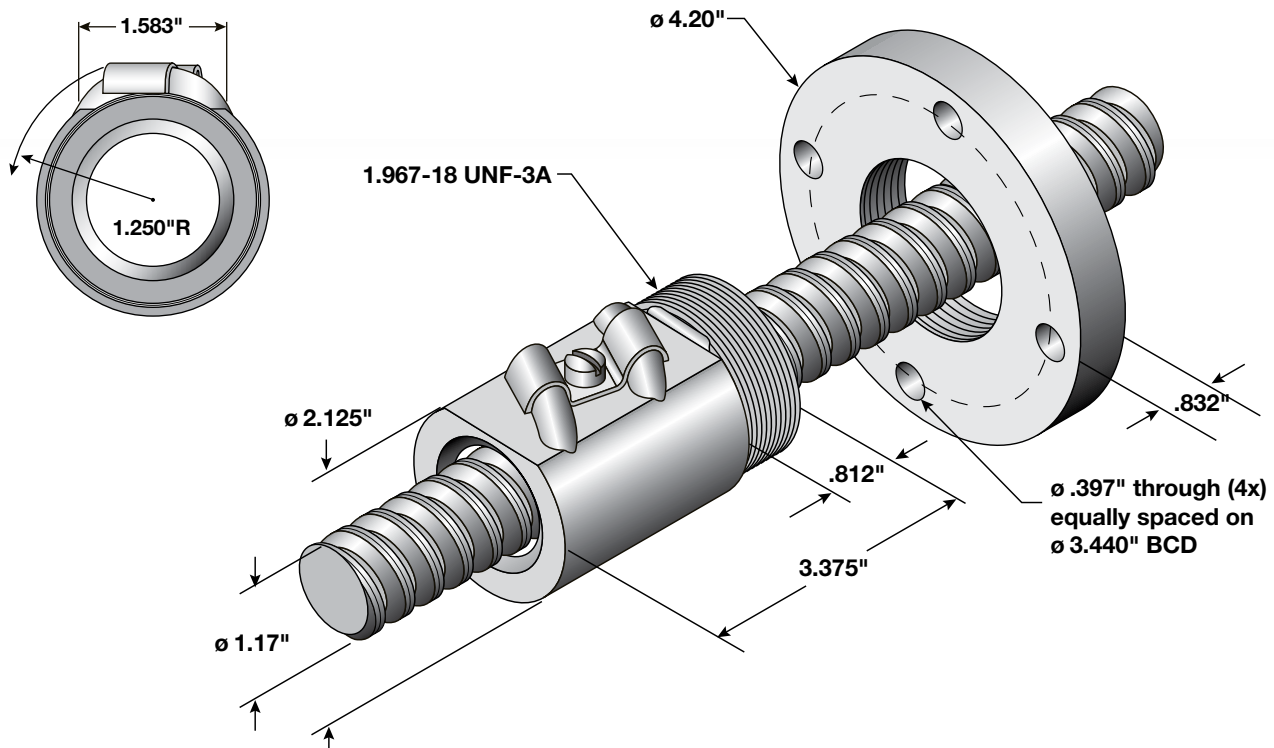


BALL SCREWS & NUTS

1.17 x .413 Inch - Right Hand

Duff-Norton offers complete close mounted systems to complement these screw & nut assemblies as follows:

- Screw Journal Ends - Page 64
- End Blocks - Page 66
- Motor Flanges - Page 70
- Gearmotors - Page 76
- Controls - Page 96



Ball Screw & Nut 1.17 x .413 Inch Diameter - Right Hand

Ball Screw	Screw Dia.	Lead	Pitch	No. Starts	Root Dia.	Thread Form	Material	Maximum Backlash	Standard Lengths		
									36 Inch	72 Inch	144 Inch
117BSA041	1.171	.413	.413	1	.870	Ball RH	Alloy	.002 to .015	Yes	Yes	Yes
Ball Nut	*Static Load	*Dynamic Load	*Max. Speed	T.P.I.	Efficiency	Torque to Raise 1 Lb.	Material	Mounting Thread	Mounting Length	Nut Length	Nut Diameter
117BNH041	22,917	3,894	1058.00	2.421	+90%	0.073	Steel	1.967-18 UNF-3A	.812	3.375	2.125
Flange	Overall Dia.	Bolt Cir. Dia.	Bolt Hole Dia.	Mounting Holes	Flange Width	Treated	Material	Mounting Thread			
FL1967	4.20	3.44	.397	4	.832	Black Oxide	Steel	1.967-18 UNF-3B	2	1.583	1.250

Note: Unless otherwise specified, all capacities are in Pounds, all dimensions are in Inches, and all speeds are in Inches per Minute.

*Load ratings are based on what the screw & nut assembly is capable of achieving. Actual load performance for a given screw and nut assembly will vary from application to application.

*Speed ratings are based on a DN spec of 3000, actual speeds will vary from application to application.

Please contact our customer service department for assistance.