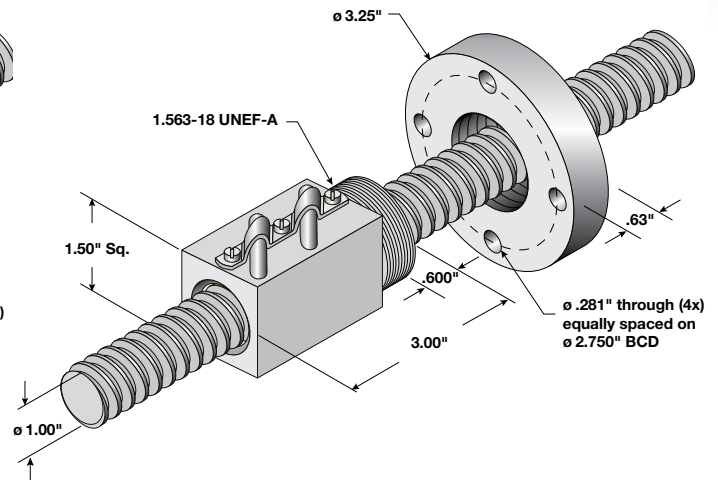
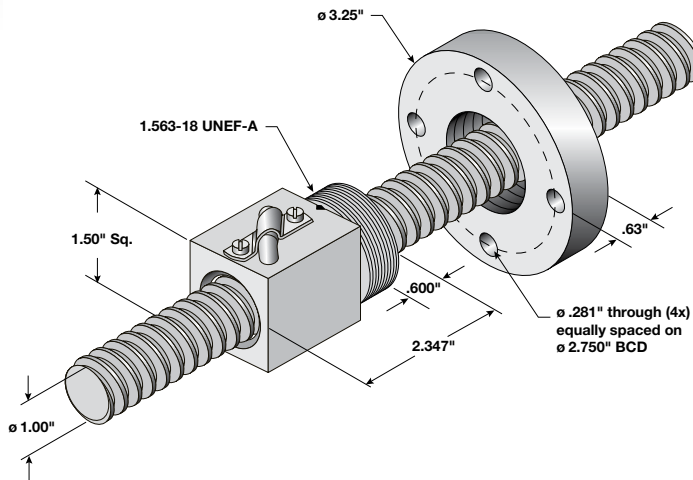
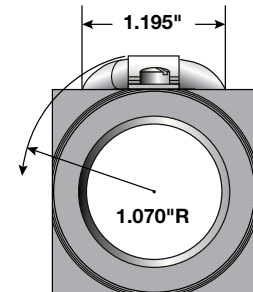
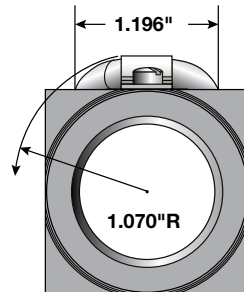


BALL SCREWS & NUTS

1 x .250 Inch (1.00 x .250 Inch) - Right Hand

Duff-Norton offers complete close mounted systems to complement these screw & nut assemblies as follows:

- Screw Journal Ends - Page 64
- End Blocks - Page 66
- Motor Flanges - Page 70
- Gearmotors - Page 76
- Controls - Page 96



Ball Screw & Nut 1 x .250 (1.00 x .250 Inch) Diameter - Right Hand

Ball Screw and Single Return Tube Ball Nut

Ball Screw	Screw Dia.	Lead	Pitch	No. Starts	Root Dia.	Thread Form	Material	Maximum Backlash	Standard Lengths		
									36 Inch	72 Inch	144 Inch
100BSA025	1.00	.250	.250	1	.840	Ball RH	Alloy	.002 to .015	Yes	Yes	Yes
Ball Nut	*Static Load	*Dynamic Load	*Max. Speed	T.P.I.	Efficiency	Torque to Raise 1 Lb.	Material	Mounting Thread	Mounting Length	Nut Length	Nut Diameter
100BNE025	15,300	1,612	1200.00	4	+90%	0.044	Steel	1.563-18 UNEF-A	.600	2.347	1.500 Sq.
Flange	Overall Dia.	Bolt Cir. Dia.	Bolt Hole Dia.	Mounting Holes	Flange Width	Treated	Material	Mounting Thread			
FL1563	3.25	2.750	.281	4	.63	Black Oxide	Steel	1.563-18 UNEF-B	1	1.195	1.070

Double Return Tube Ball Nut

Ball Nut	*Static Load	*Dynamic Load	*Max. Speed	T.P.I.	Efficiency	Torque to Raise 1 Lb.	Material	Mounting Thread	Mounting Length	Nut Length	Nut Diameter
100BNF025	30,750	3,350	1200.00	4	+90%	0.044	Steel	1.563-18 UNEF-A	.600	3.00	1.500 Sq.
Flange	Overall Dia.	Bolt Cir. Dia.	Bolt Hole Dia.	Mounting Holes	Flange Width	Treated	Material	Mounting Thread			
FL1563	3.25	2.750	.281	4	.63	Black Oxide	Steel	1.563-18 UNEF-B	2	1.196	1.070

Note: Unless otherwise specified, all capacities are in Pounds, all dimensions are in Inches, and all speeds are in Inches per Minute.

*Load ratings are based on what the screw & nut assembly is capable of achieving. Actual load performance for a given screw and nut assembly will vary from application to application.

*Speed ratings are based on a DN spec of 3000, actual speeds will vary from application to application.

Please contact our customer service department for assistance.