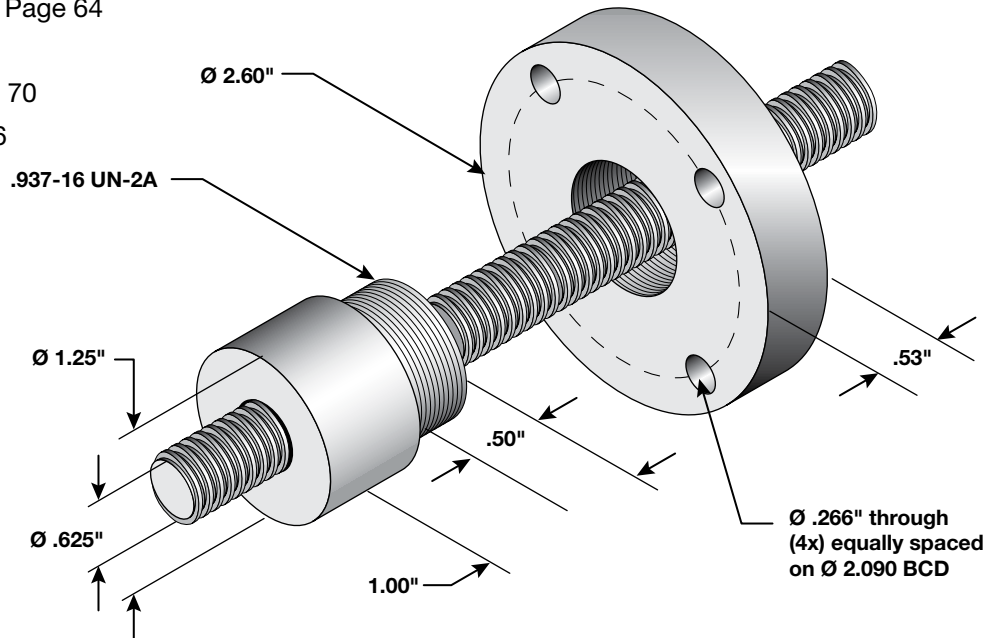


ACME SCREWS & NUTS

5/8 Inch (.625 Inch)

Duff-Norton offers complete close mounted systems to complement these screw & nut assemblies as follows:

- Screw Journal Ends - Page 64
- End Blocks - Page 66
- Motor Flanges - Page 70
- Gearmotors - Page 76
- Controls - Page 96



Acme Screw & Nut 5/8 Inch (.625 Inch) Diameter

Acme Screw	Screw Dia.	Lead	Pitch	No. Starts	Root Dia.	Thread Form	Material	Maximum Backlash	Standard Lengths		
									36 Inch	72 Inch	144 Inch
063ASA010R	.625	.100	.100	1	0.484	Centralizing RH	Steel	0.009	Yes	Yes	—
063ASA013R		.125	.125		0.470			0.010			
063ASA020R		.200	.200		0.487			0.011			
063ASA025R		.250	.250	0.506	0.004						
063ASA050R		.500			0.006						
Acme Nut	*Static Load	*Dynamic Load	*Max. Speed	T.P.I.	Efficiency	Torque to Raise 1 Lb.	Material	Mounting Thread	Mounting Length	Nut Length	Nut Diameter
063ANB010	9,487	2,897	172.50	10	29%	0.054	Bronze	.937-16 UN-2A	.50	1.00	1.25
063ANB013	9,553	2,836	215.63	8	34%	0.058					
063ANB020	8,671	1,544	345.00	5	45%	0.071					
063ANB025	8,786	1,137	431.25	4	51%	0.078					
063ANB050	8,296	1,163	862.50	2	65%	0.122					
063ANP025	828	828	431.25	4	62%	0.064	Plastic				
063ANP050	808	808	862.50	2	75%	0.106					
Flange	Overall Dia.	Bolt Cir. Dia.	Bolt Hole Dia.	Mounting Holes	Flange Width	Treated	Material	Mounting Thread			
FL0937	2.60	2.090	.266	4	.53	Black Oxide	Steel	.397-16 UN-2B			

Note: Unless otherwise specified, all capacities are in Pounds, all dimensions are in Inches, and all speeds are in Inches per Minute.

*Load ratings are based on what the screw & nut assembly is capable of achieving. Actual load performance for a given screw and nut assembly will vary from application to application.

*Speed ratings are based on a directly coupled screw & motor turning at 1725 rpm. Actual speeds for a given screw and nut assembly will vary from application to application.

In many cases Duff-Norton can provide screw materials such as 316SS, longer screw lengths, or thread directions other than what has been cataloged.

Please contact our customer service department for assistance.



1/2 inch to 1-1/2 inch
bronze and plastic nuts
available in select T.P.I