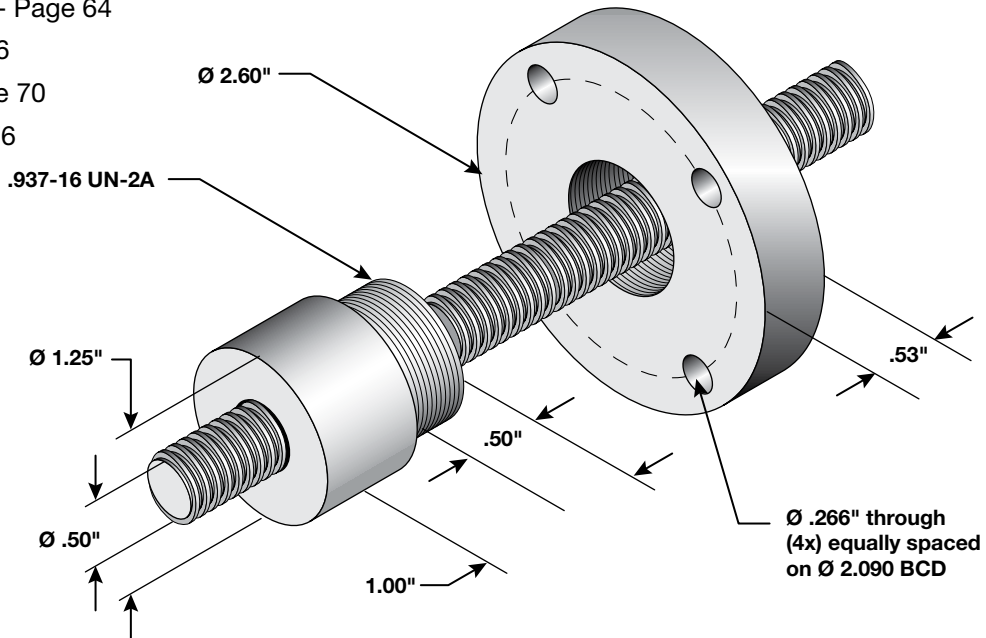


ACME SCREWS & NUTS

1/2 Inch (.500 Inch)

Duff-Norton offers complete close mounted systems to complement these screw & nut assemblies as follows:

- Screw Journal Ends - Page 64
- End Blocks - Page 66
- Motor Flanges - Page 70
- Gearmotors - Page 76
- Controls - Page 96



Acme Screw & Nut 1/2 Inch (.500 Inch) Diameter

Acme Screw	Screw Dia.	Lead	Pitch	No. Starts	Root Dia.	Thread Form	Material	Maximum Backlash	Standard Lengths		
									36 Inch	72 Inch	144 Inch
050ASA010R	.50	.100	.100	1	.359	Centralizing RH	Steel	0.009	Yes	Yes	—
050ASA020R		.200	.200		.362			0.011			
050ASA025R		.250	.250	.381	0.004						
050ASA050R		.500	.250	.377							
Acme Nut	*Static Load	*Dynamic Load	*Max. Speed	T.P.I.	Efficiency	Torque to Raise 1 lb. (in/lb)	Material	Mounting Thread	Mounting Length	O.A. Nut Length	O.A. Nut Diameter
050ANB010	7,589	2,282	172.50	10	35%	0.046	Bronze	.937-16 UN-2A	.50	1.00	1.25
050ANB020	6,936	1,219	345.00	5	50%	0.063					
050ANB025	7,054	908	431.25	4	56%	0.071					
050ANB050	6,734		862.50	2	70%	0.114					
050ANP025	665	665	431.25	4	67%	0.059	Plastic				
050ANP050			862.50	2	79%	0.101					
Flange	Overall Dia.	Bolt Cir. Dia.	Bolt Hole Dia.	Mounting Holes	Flange Width	Treated	Material	Mounting Thread			
FL0937	2.60	2.090	.266	4	.53	Black Oxide	Steel	.937-16 UN-2B			

Note: Unless otherwise specified, all capacities are in Pounds, all dimensions are in Inches, and all speeds are in Inches per Minute.

*Load ratings are based on what the screw and nut assembly is capable of achieving. Actual load performance for a given screw and nut assembly will vary from application to application.

*Speed ratings are based on a directly coupled screw and motor turning at 1725 rpm. Actual speeds for a given screw and nut assembly will vary from application to application.

In many cases Duff-Norton can provide screw materials such as 316SS, longer screw lengths, or thread directions other than what has been cataloged.

Please contact our customer service department for assistance.



1/2 inch to 1-1/2 inch
bronze and plastic nuts
available in select T.P.I