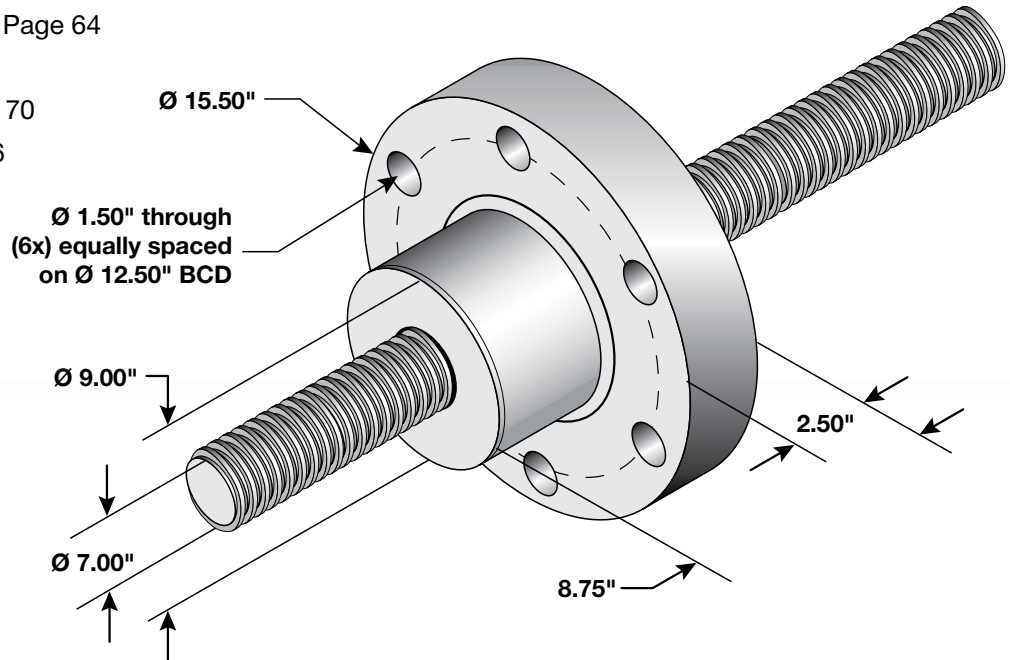


ACME SCREWS & NUTS 7 Inch (7.00 Inch) - Right Hand

Duff-Norton offers complete close mounted systems to complement these screw & nut assemblies as follows:

- Screw Journal Ends - Page 64
- End Blocks - Page 66
- Motor Flanges - Page 70
- Gearmotors - Page 76
- Controls - Page 96



Acme Screw & Nut 7 Inch (7.00 Inch) Diameter - Right Hand

Acme Screw	Screw Dia.	Lead	Pitch	No. Starts	Root Dia.	Thread Form	Material	Maximum Backlash	Standard Lengths		
									36 Inch	72 Inch	144 Inch
700ASA100	7.00	1.00	1.00	1	6.058	Mod Sq RH	Steel	0.013	Yes	Yes	Yes
Acme Nut	*Static Load	*Dynamic Load	*Max. Speed	T.P.I.	Efficiency	Torque to Raise 1 Lb.	Material	Mounting Thread	Mounting Length	Nut Length	Nut Diameter
700ANB100	487409	256345	1725.00	1.00	27%	0.591	Bronze	Integral Flange	2.5	8.75	9.00
Flange	Overall Dia.	Bolt Cir. Dia.	Bolt Hole Dia.	Mounting Holes	Flange Width	Treated	Material	Mounting Thread			
Integral	15.50	12.50	1.50	6	2.50	N/A	Bronze	Inregal Flange			

Note: Unless otherwise specified, all capacities are in Pounds, all dimensions are in Inches, and all speeds are in Inches per Minute.

*Load ratings are based on what the screw & nut assembly is capable of achieving. Actual load performance for a given screw and nut assembly will vary from application to application.

*Speed ratings are based on a directly coupled screw & motor turning at 1725 rpm. Actual speeds for a given screw and nut assembly will vary from application to application.

In many cases Duff-Norton can provide screw materials such as 316SS, longer screw lengths, or thread directions other than what has been cataloged.

Please contact our customer service department for assistance.



1/2 inch to 1-1/2 inch
bronze and plastic nuts
available in select T.P.I