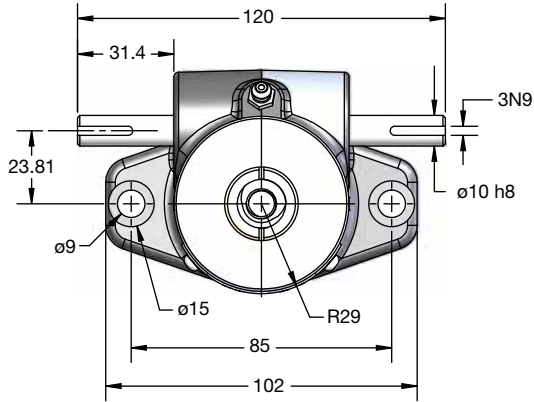
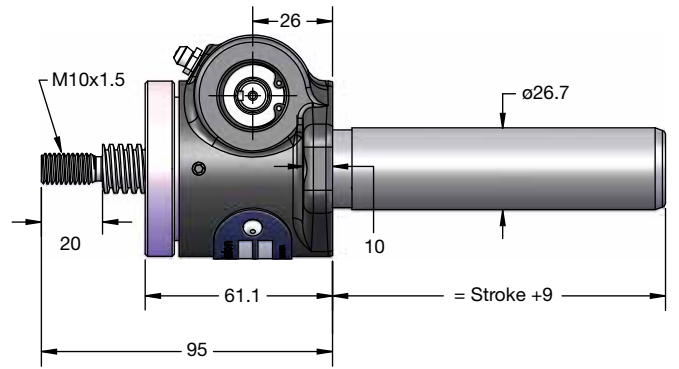


# METRIC MACHINE SCREW ACTUATORS

## 5 kN CAPACITY

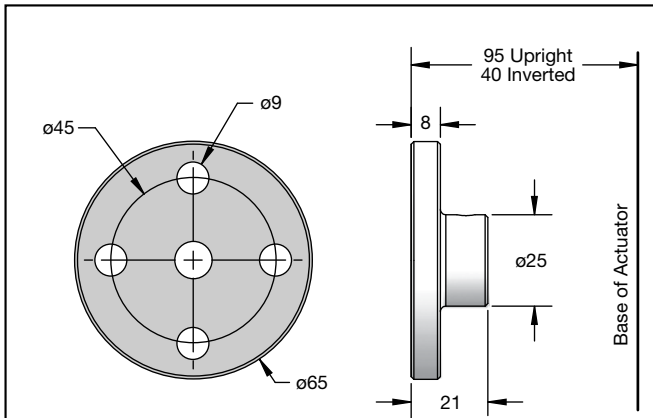


**Top View: G9225T**

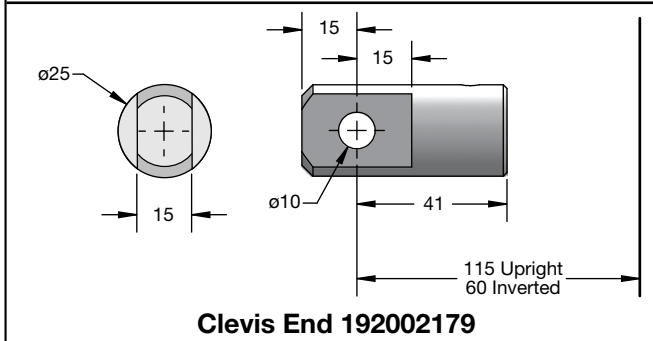


**Upright: G9225T**

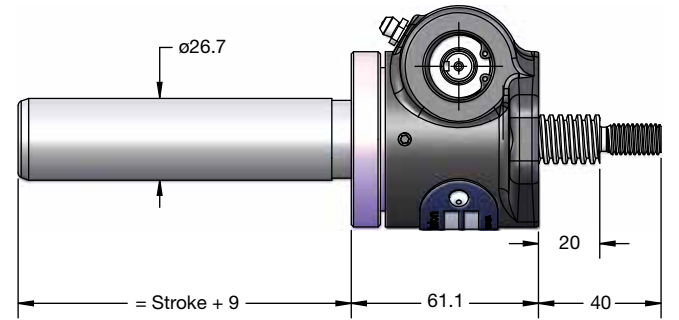
**16mm O.D. x 3mm Lead Lifting Screws**



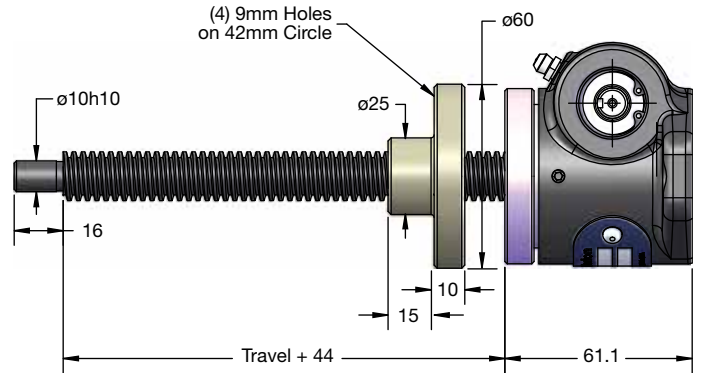
**Top Plate 192002178**



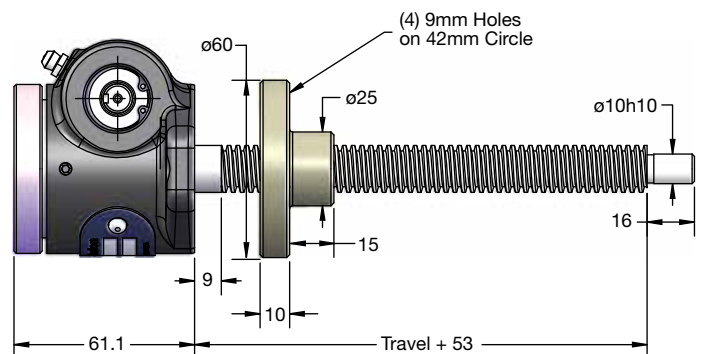
**Clevis End 192002179**



**Inverted: G9225TV**



**Upright Rotating: G9225U**



**Inverted Rotating: G9225D**