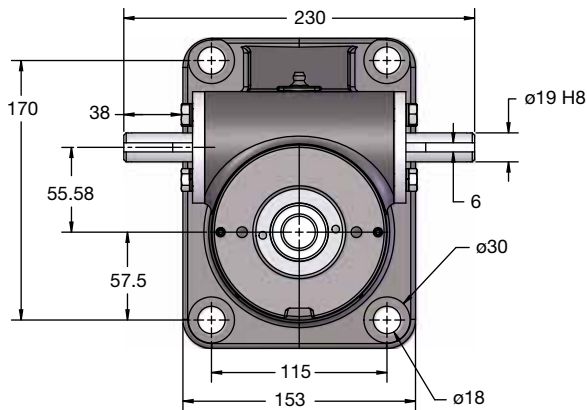


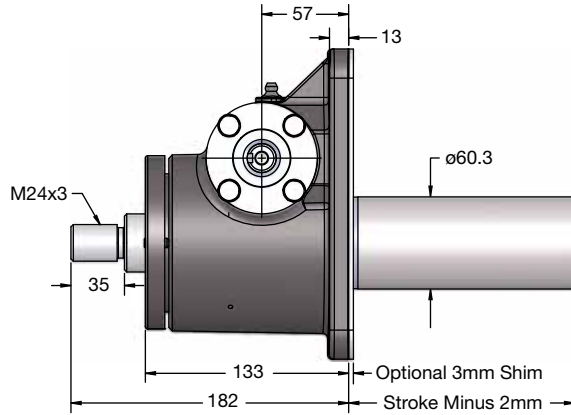
METRIC MACHINE SCREW

ACTUATORS

50 kN CAPACITY

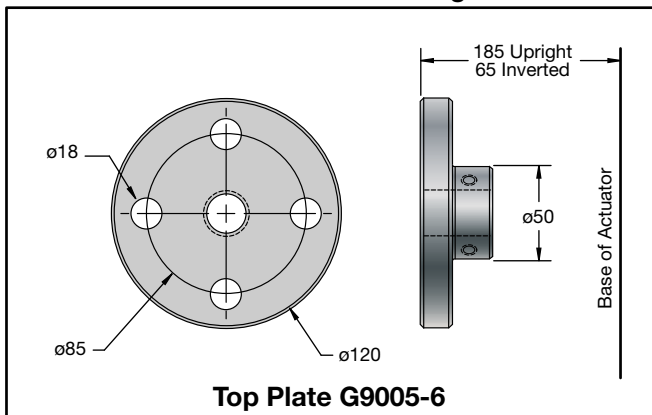


Top View: G9005T

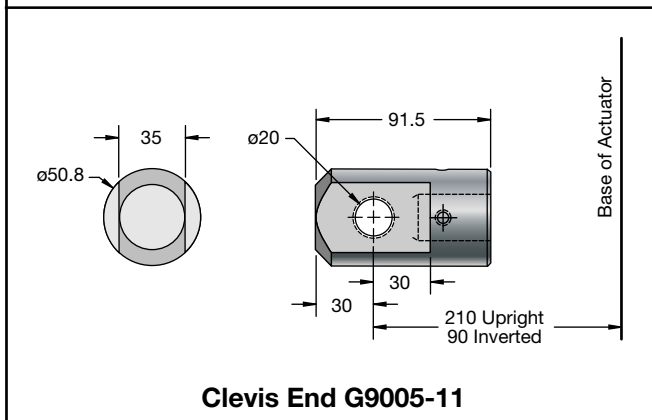


Upright: G9005T

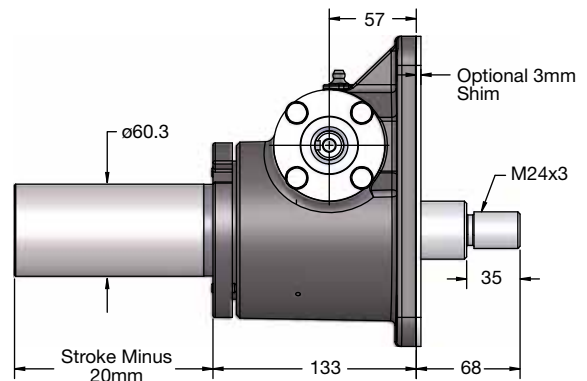
30mm O.D. 9mm Lead Lifting Screws



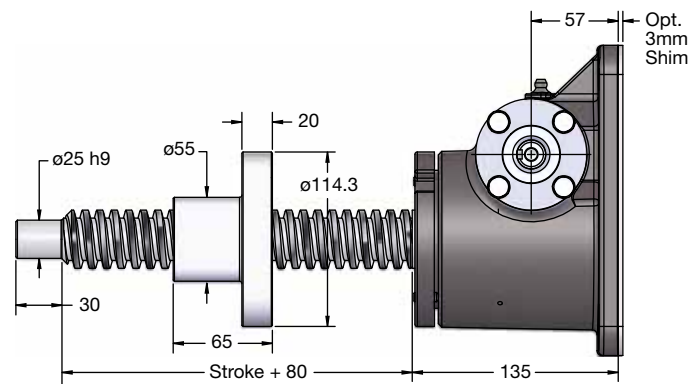
Top Plate G9005-6



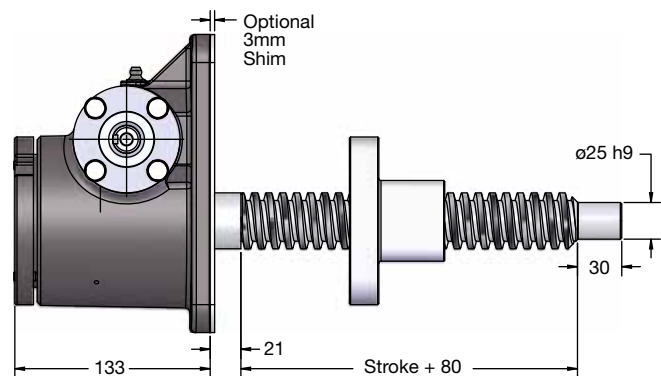
Clevis End G9005-11



Inverted: G9005TV



Upright Rotating: G9005U



Inverted Rotating: G9005D