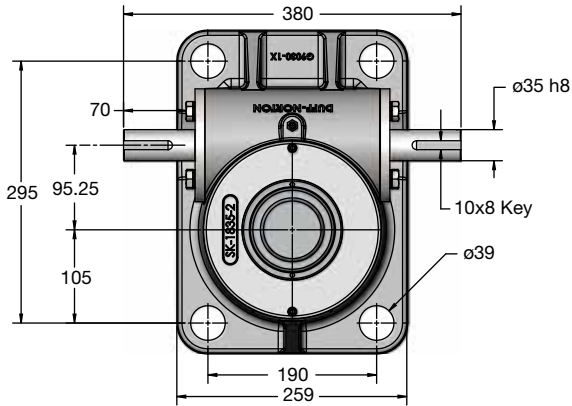


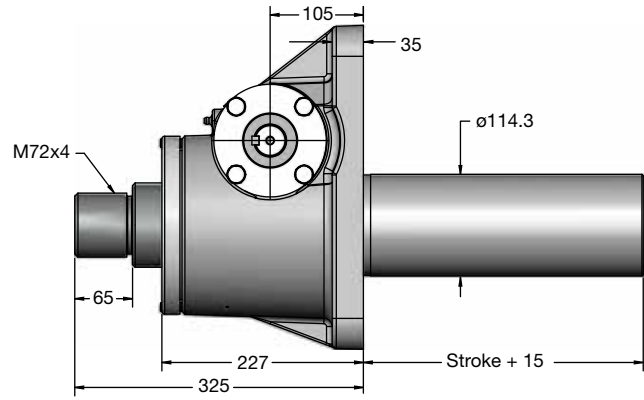
METRIC MACHINE SCREW

ACTUATORS

300 kN CAPACITY

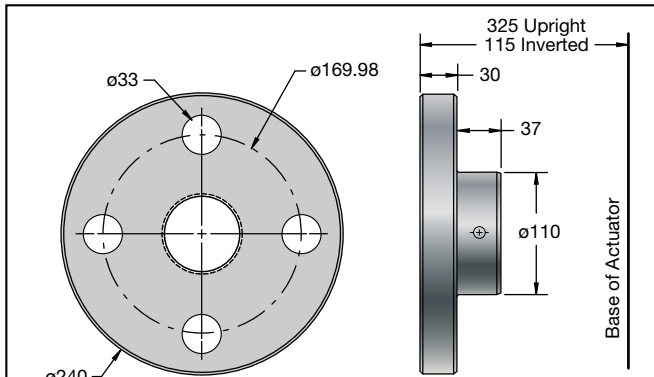


Top View: G9030T

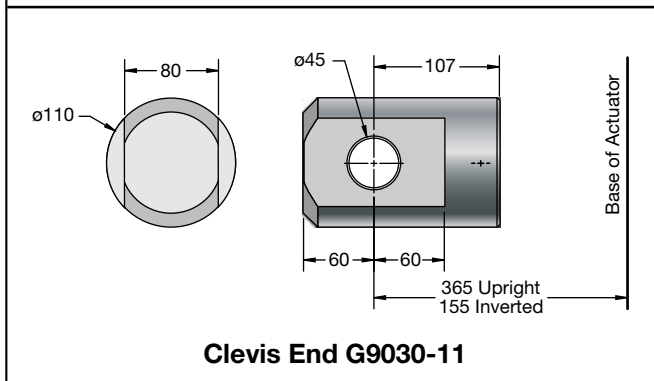


Upright: G9030T

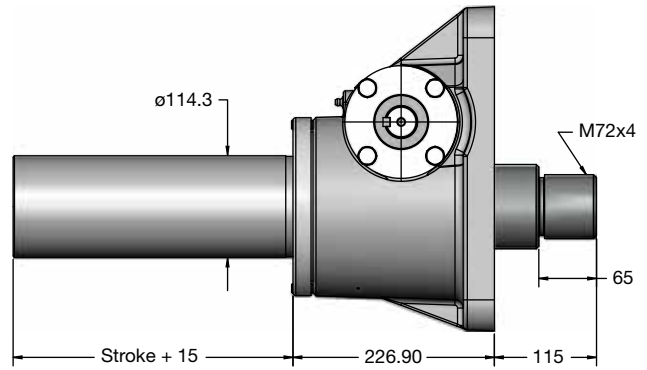
95mm O.D. x 16mm Lead Lifting Screws



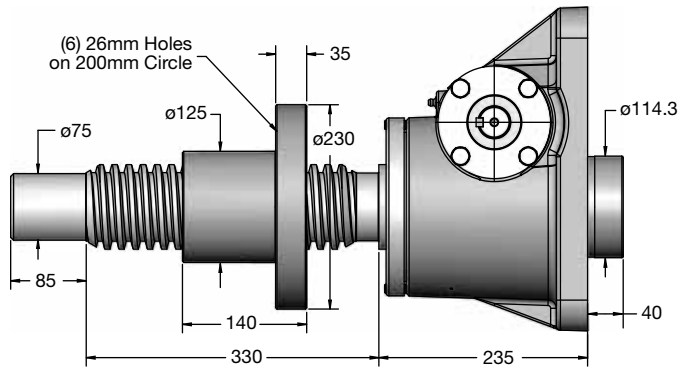
Top Plate G9030-6



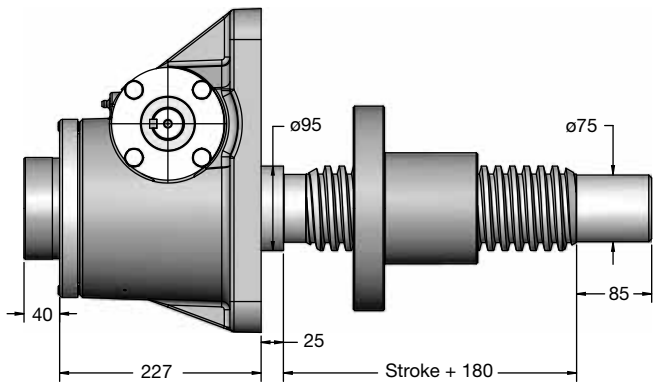
Clevis End G9030-11



Inverted: G9030TV



Upright Rotating: G9030U



Inverted Rotating: G9030D