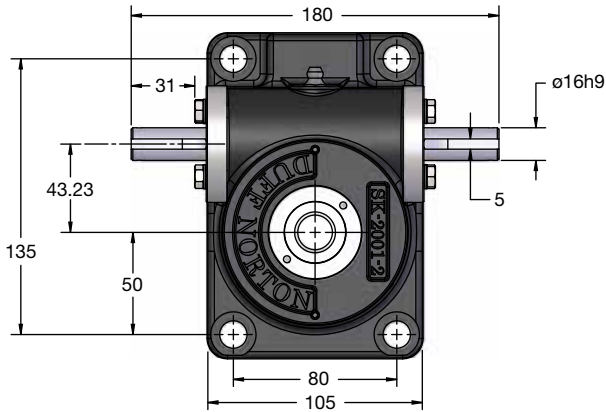


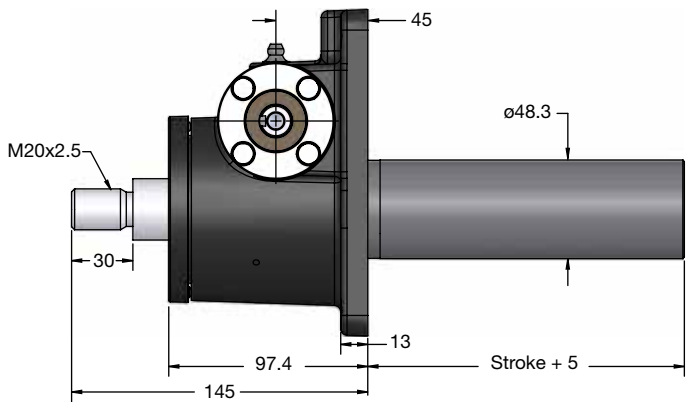
METRIC MACHINE SCREW ACTUATORS

25 kN CAPACITY

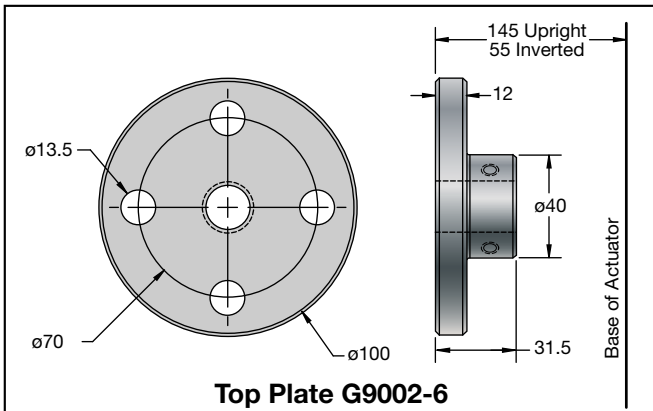


Top View: G9002T

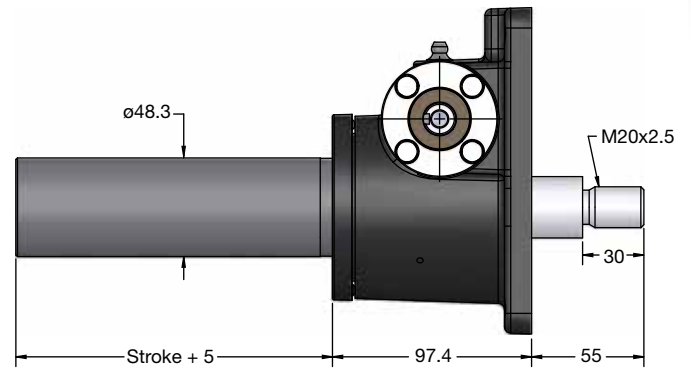
30mm O.D. 6mm Lead Lifting Screws



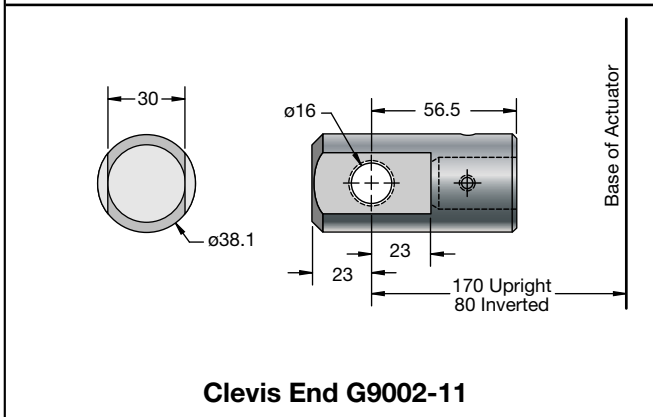
Upright: G9002T



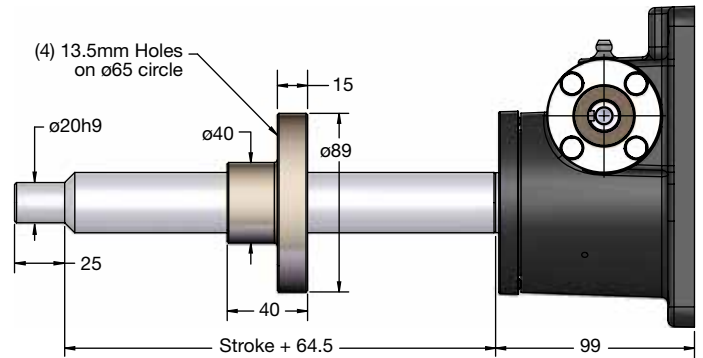
Top Plate G9002-6



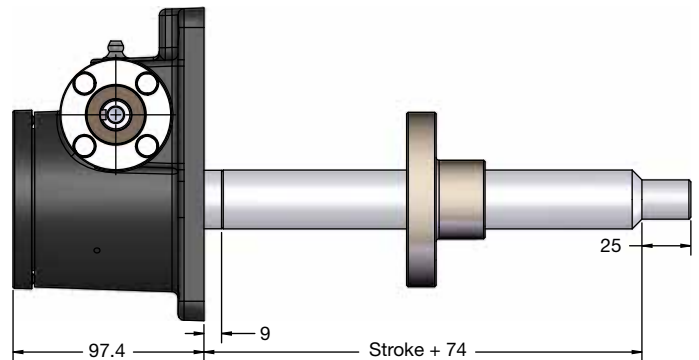
Inverted: G9002TV



Clevis End G9002-11



Upright Rotating: G9002U



Inverted Rotating: G9002D