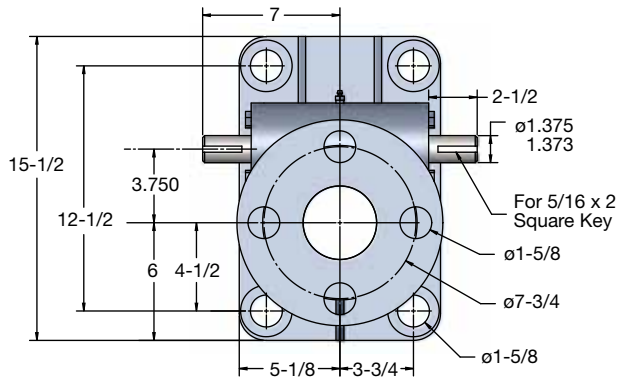
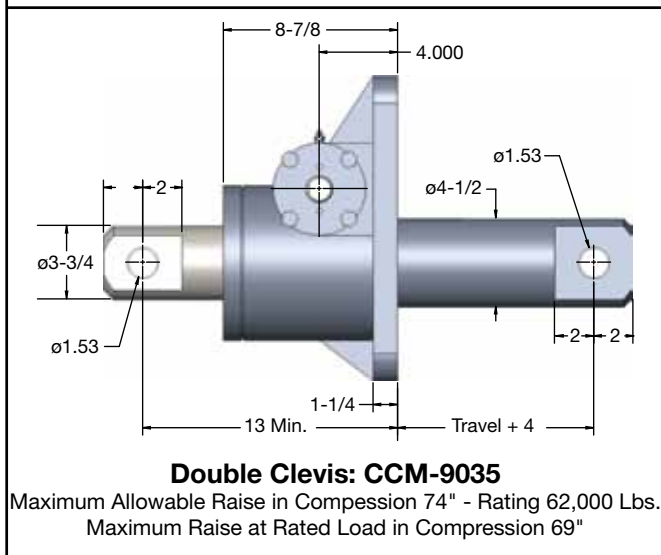
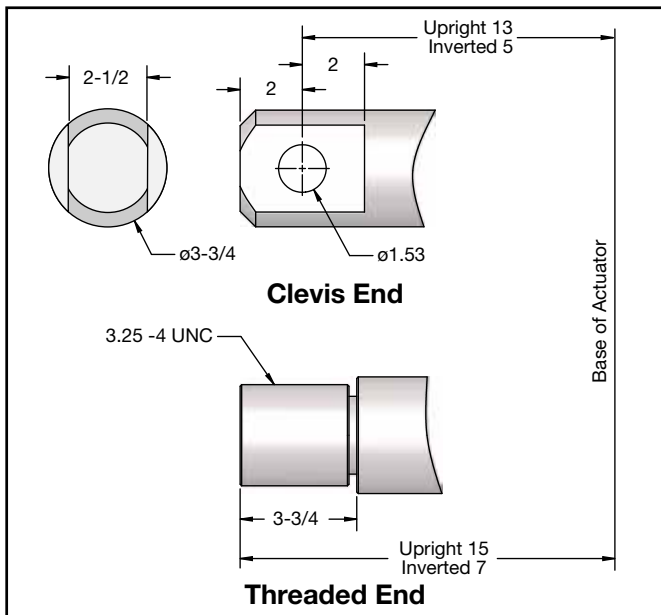


MACHINE SCREW ACTUATORS

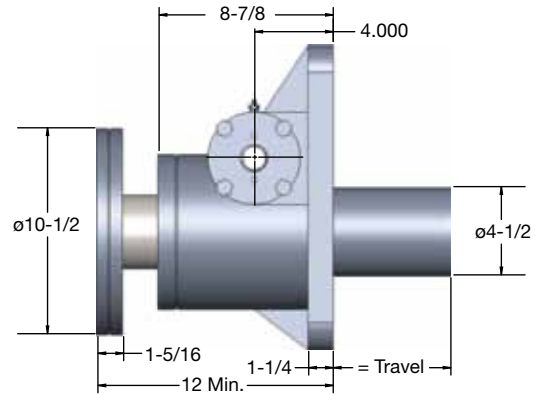
35 TON CAPACITY



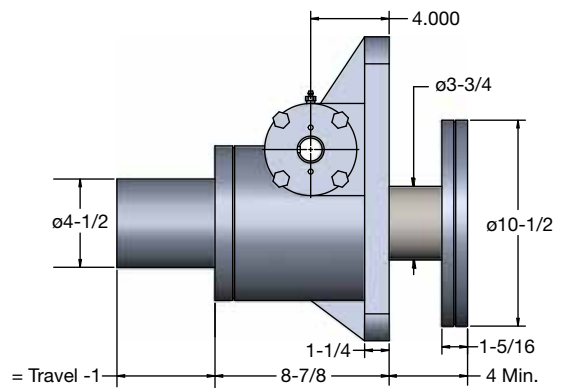
3-3/4" Diameter x .666 Lead Lifting Screws



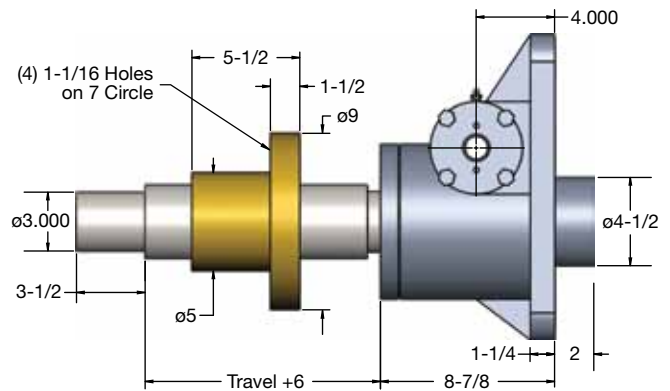
Note: Lifting screw is not keyed. Top should be secured to a lifting member to prevent rotation. When a Bellows Boot is required, see pages 148-149. Dimensions are subject to change without notice.



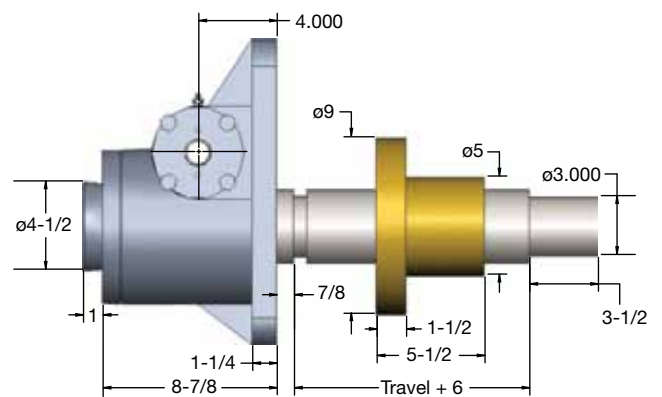
Upright: M-9035



Inverted: M-9034



Upright Rotating: UM-9036



Inverted Rotating: DM-9036