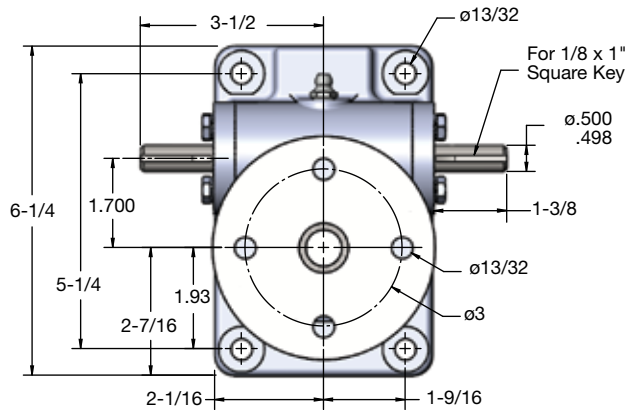
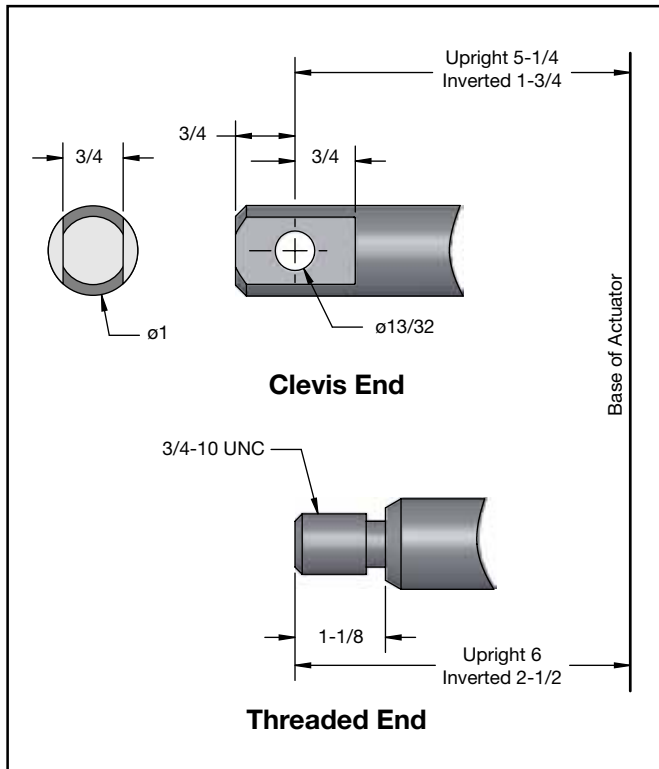


MACHINE SCREW ACTUATORS

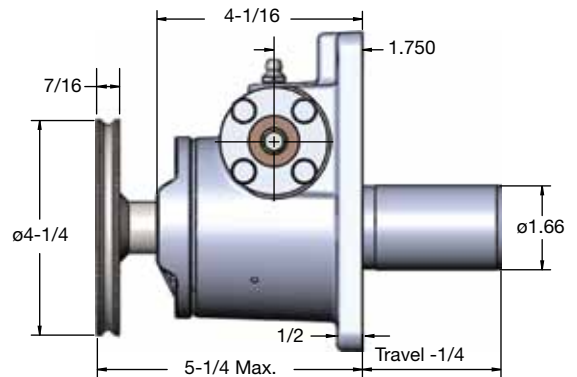
2 TON CAPACITY — 9000 SERIES



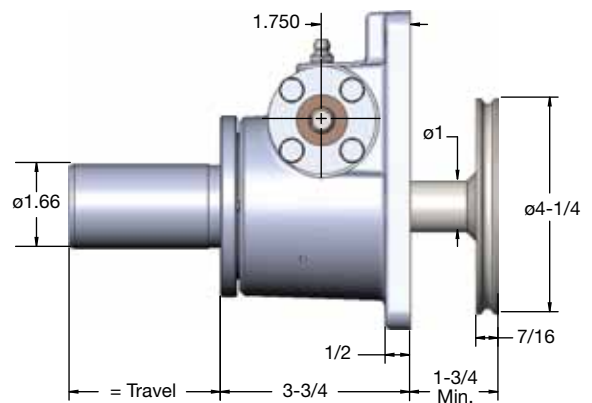
1" Diameter x .250 Lead Lifting Screws



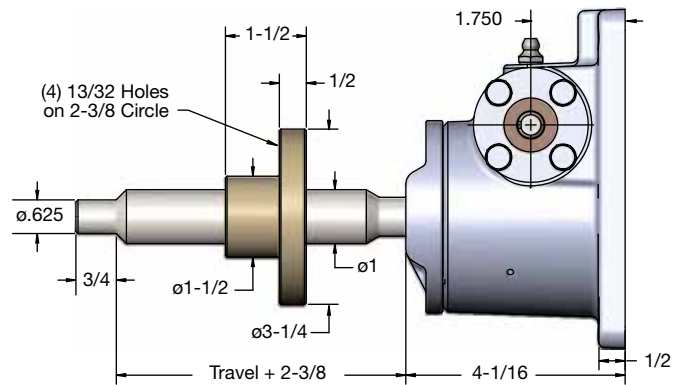
Note: Lifting screw is not keyed. Top should be secured to a lifting member to prevent rotation. When a Bellows Boot is required, see pages 148-149. Dimensions are subject to change without notice.



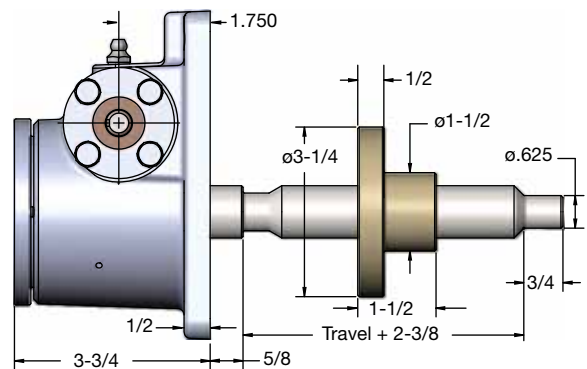
Upright: M-9002



Inverted: M-9001



Upright Rotating: UM-9003



Inverted Rotating: DM-9003

