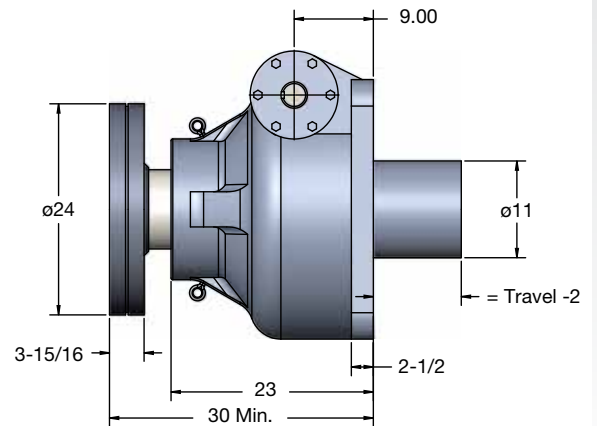
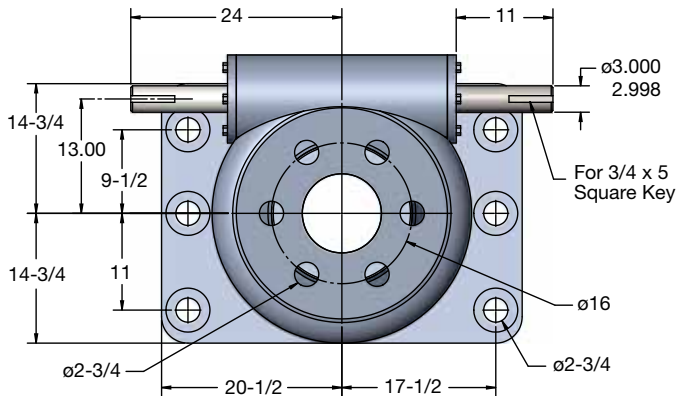


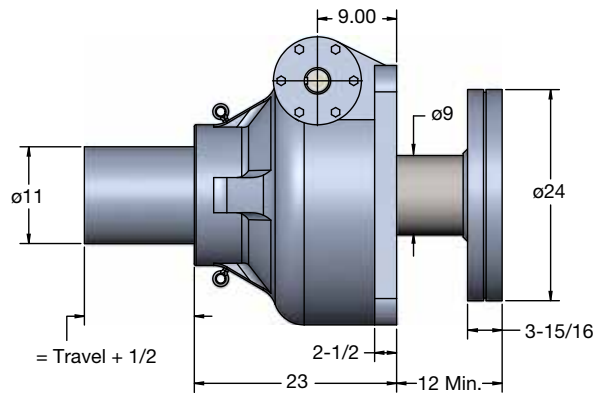
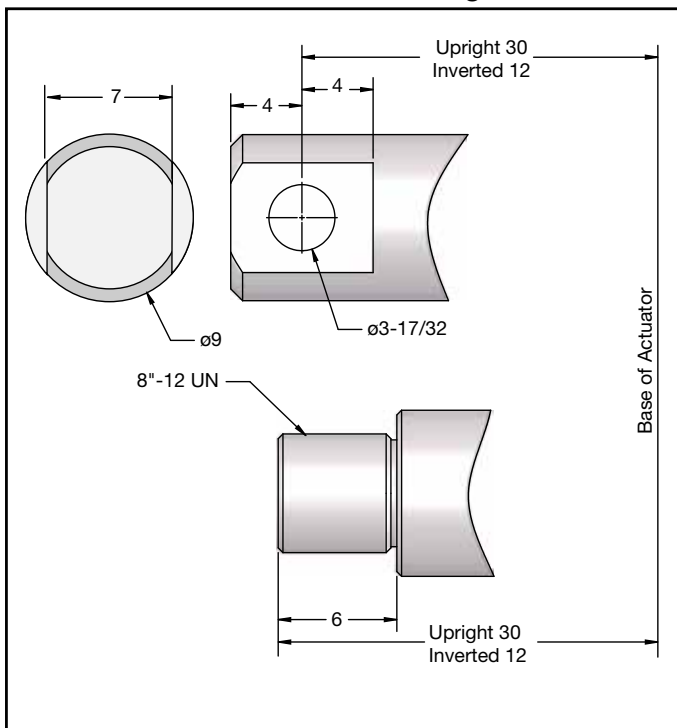
MACHINE SCREW ACTUATORS

250 TON CAPACITY



Upright: M-2250

9" Diameter x 1" Lead Lifting Screws



Inverted: M-2249

Note: Lifting screw is not keyed. Top should be secured to a lifting member to prevent rotation. When a Bellows Boot is required, see pages 148-149. Dimensions are subject to change without notice.

NOTE

Duff-Norton has provided special actuators rated at **300 tons** and **350 tons** for certain applications.

Actuators at these capacities are provided under specific Duff-Norton / customer agreement as to the actuator's performance parameters. These changes are internal to the housing and do not otherwise impact the envelope dimensions shown.

Please contact our Application Engineering group for more information.