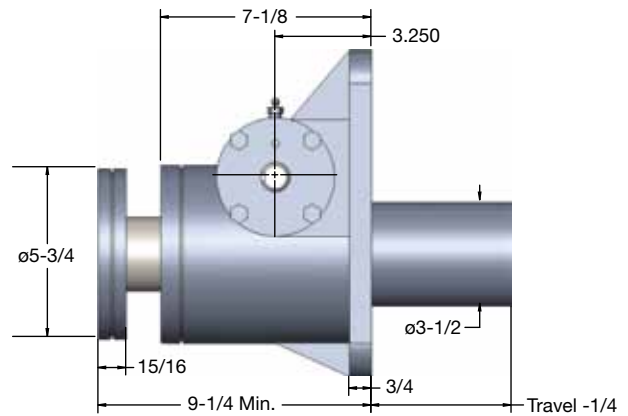
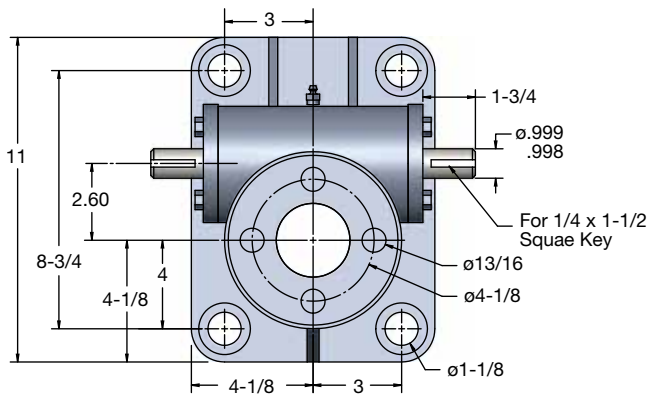


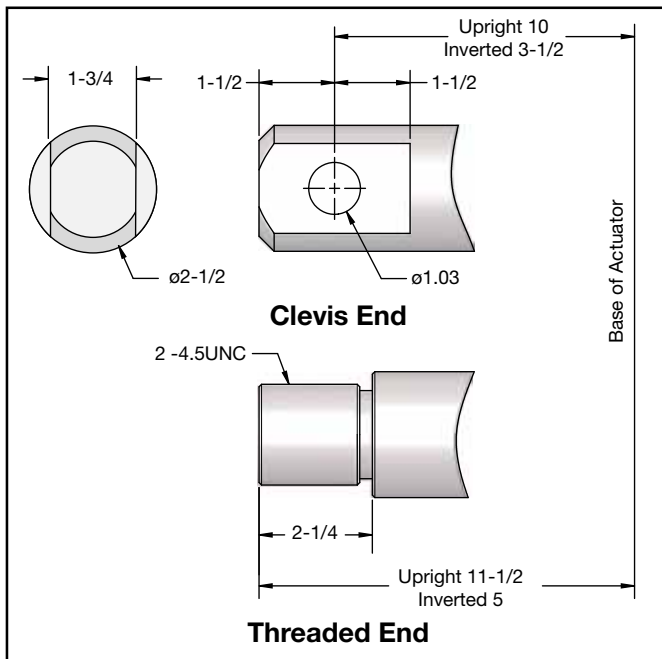
MACHINE SCREW ACTUATORS

20 TON CAPACITY



Upright: M-9020

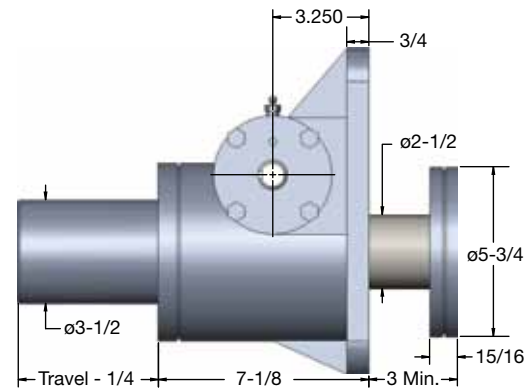
2-1/2" Diameter x .500 Lead Lifting Screws



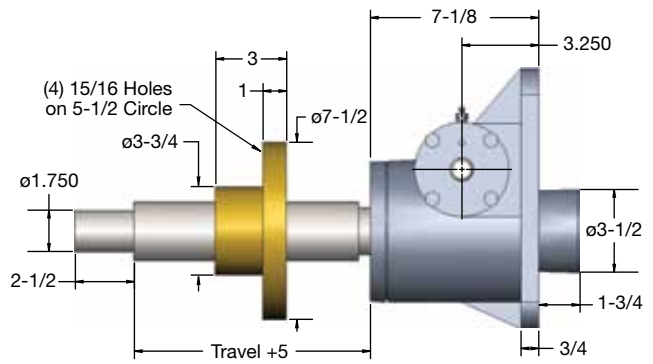
Threaded End

Clevis End

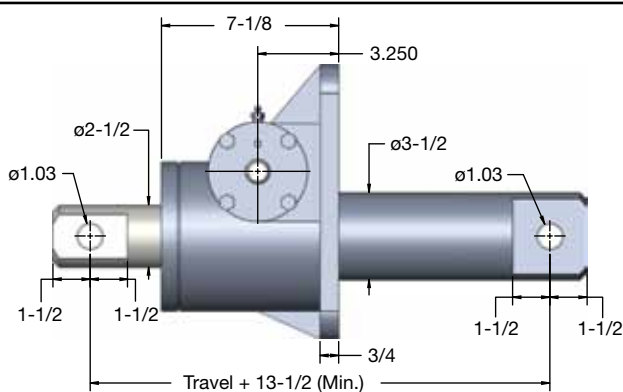
Base of Actuator



Inverted: M-9019

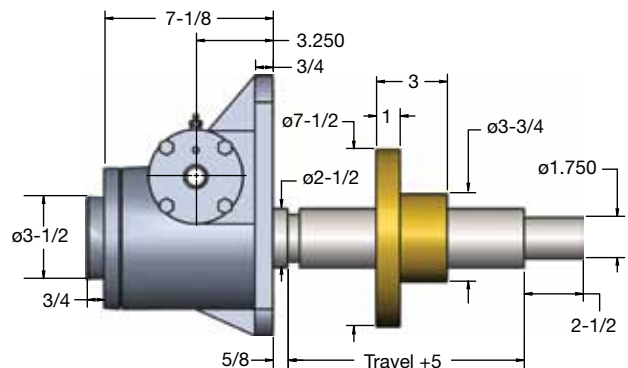


Upright Rotating: UM-9021



Double Clevis: CCM-9020

Maximum Allowable Raise in Compression 42" - Rating 21,000 Lbs.
Maximum Raise at Rated Load in Compression 29"



Inverted Rotating: DM-9021

Note: Lifting screw is not keyed. Top should be secured to a lifting member to prevent rotation. When a Bellows Boot is required, see pages 148-149. Dimensions are subject to change without notice.