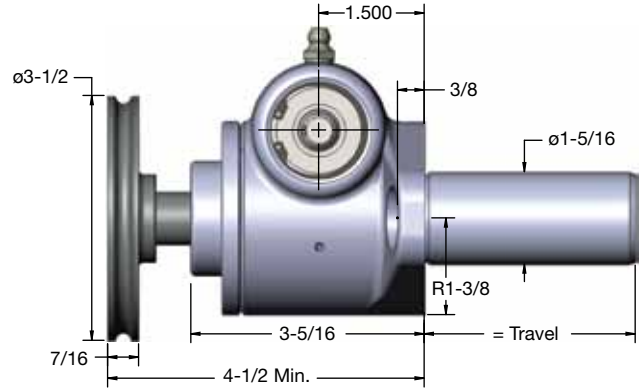
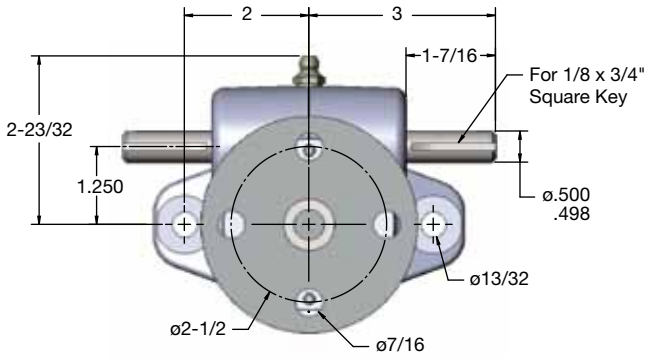
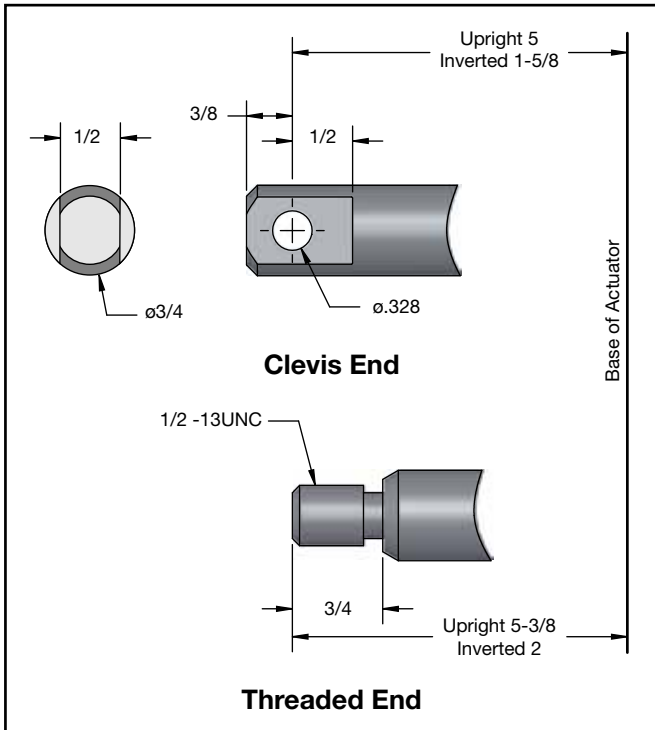


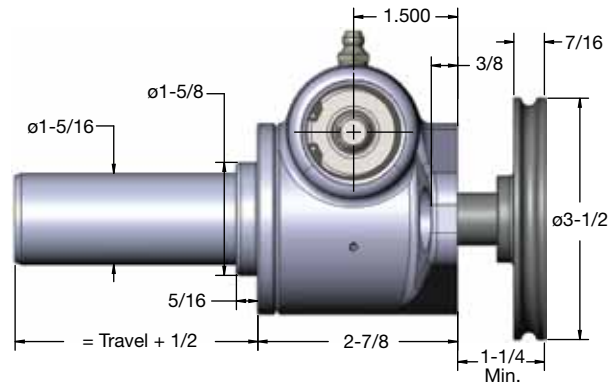
# MACHINE SCREW ACTUATORS 1 TON CAPACITY



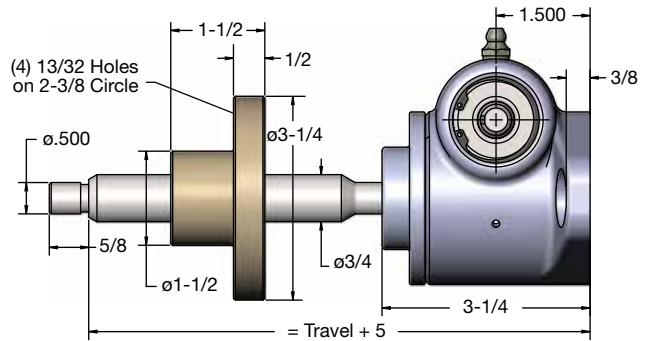
## 3/4 Diameter x .200 Lead Lifting Screws



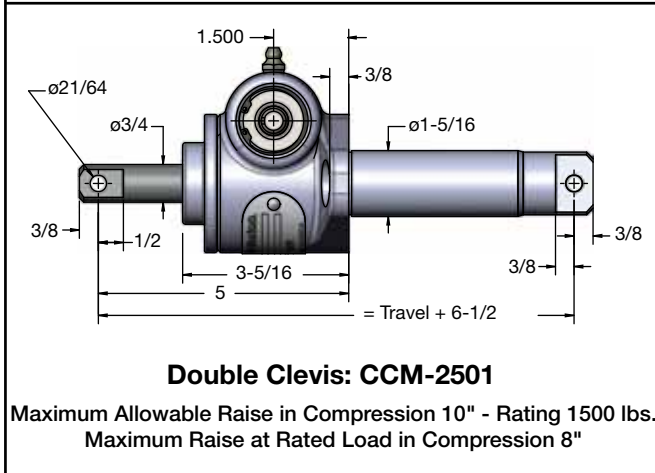
**Upright: M-2501**



**Inverted: M-2500**

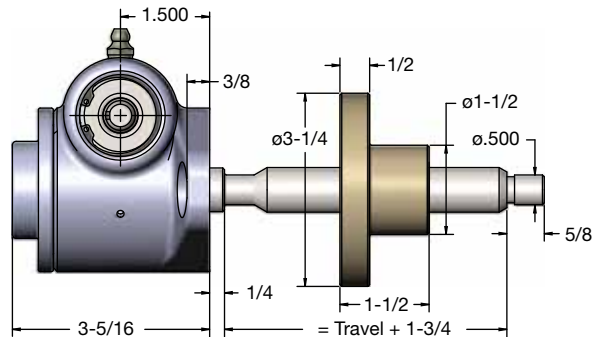


**Upright Rotating: UM-2502**



**Double Clevis: CCM-2501**

Maximum Allowable Raise in Compression 10" - Rating 1500 lbs.  
Maximum Raise at Rated Load in Compression 8"



**Inverted Rotating: DM-2502**

Note: Lifting screw is not keyed. Top should be secured to a lifting member to prevent rotation. When a Bellows Boot is required, see pages 148-149. Dimensions are subject to change without notice.