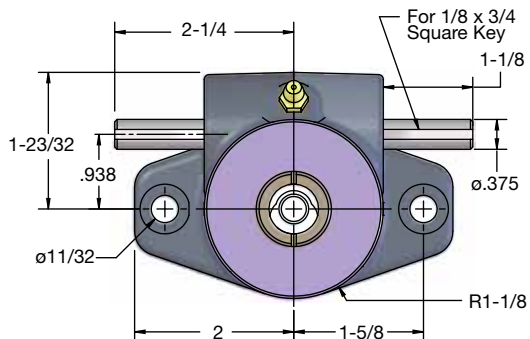
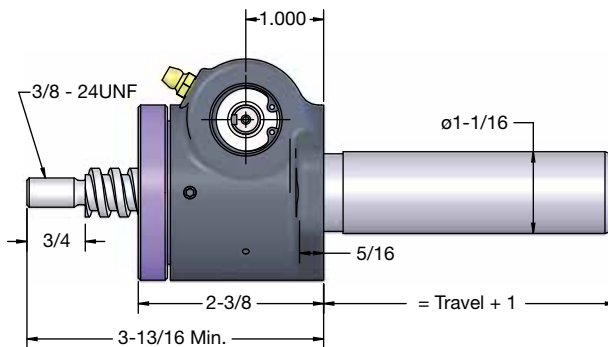


MACHINE SCREW ACTUATORS

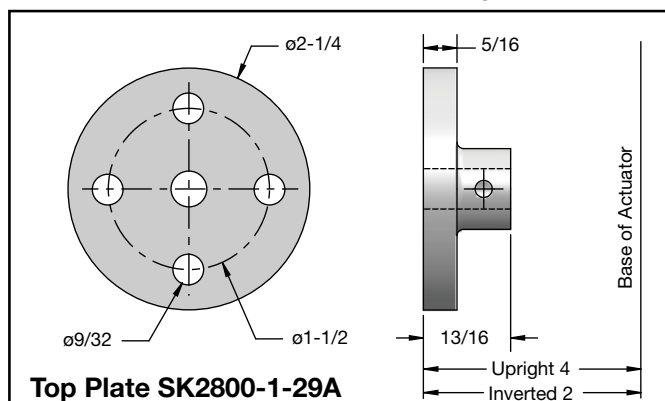
500 LB CAPACITY



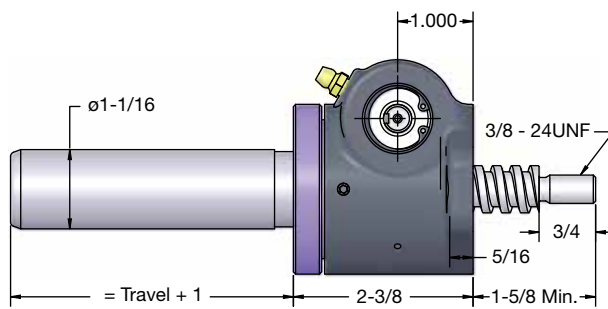
5/8 Diameter x .250 Lead Lifting Screws



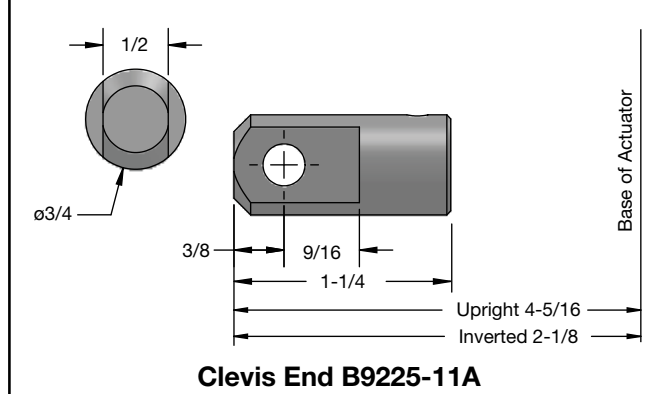
Upright: B9225T



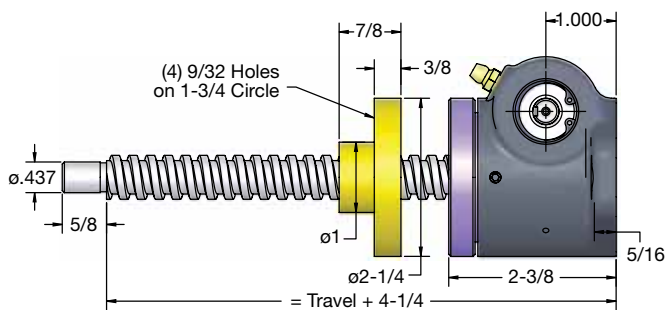
Top Plate SK2800-1-29A



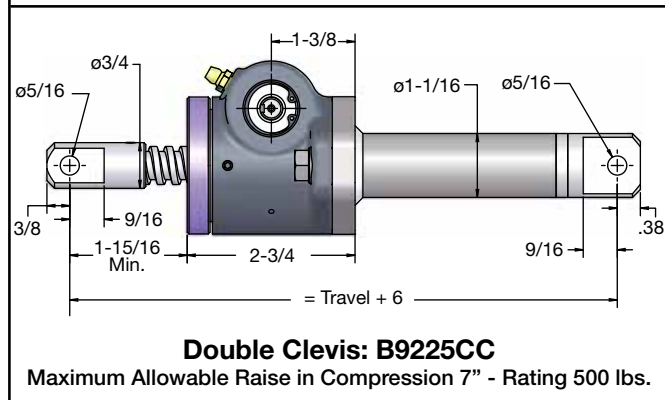
Inverted: B9225TV



Clevis End B9225-11A

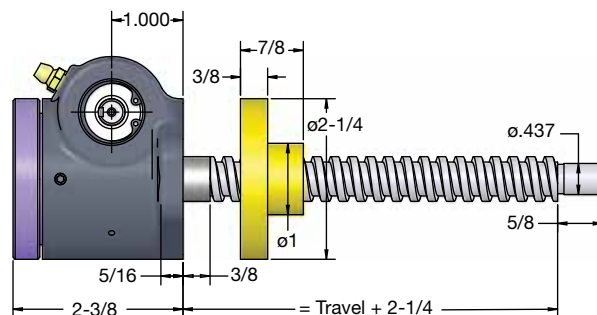


Upright Rotating: B9225U



Double Clevis: B9225CC

Maximum Allowable Raise in Compression 7" - Rating 500 lbs.



Inverted Rotating: B9225D

Note: Lifting screw is not keyed. Top should be secured to a lifting member to prevent rotation. When a Bellows Boot is required, see pages 148-149. Dimensions are subject to change without notice. When the lifting screw is keyed, the holes in the top plate will not necessarily be in the position shown.