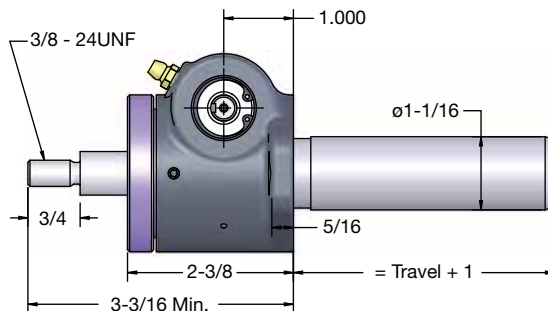
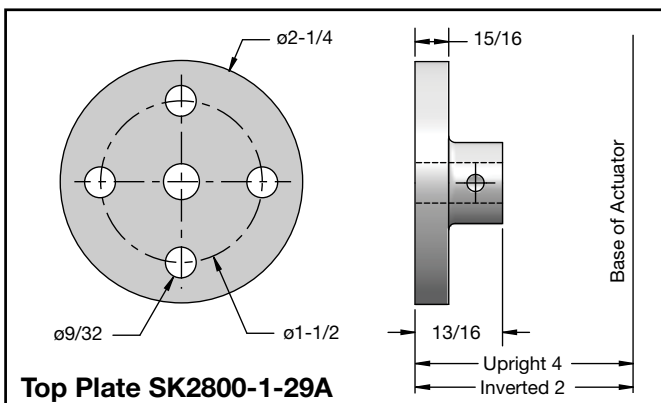


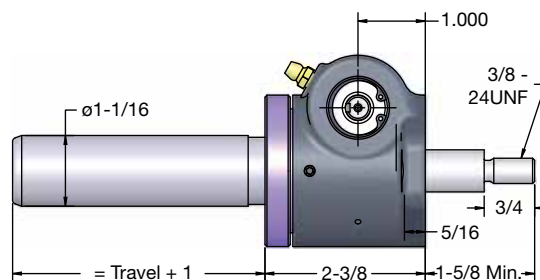
5/8 Diameter x .125 Lead Lifting Screws



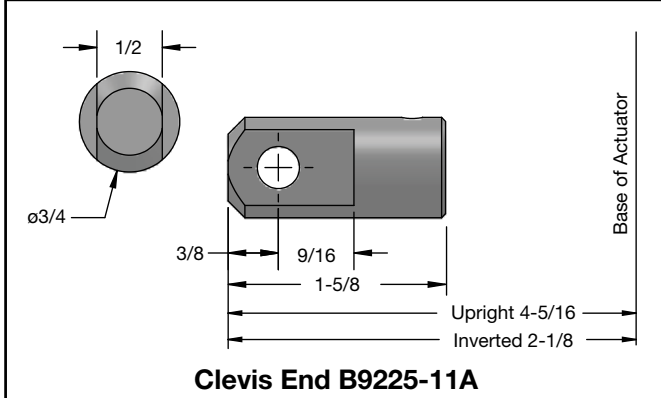
Upright: B9250T



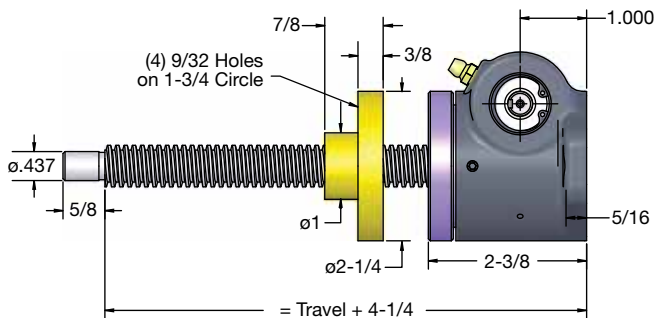
Top Plate SK2800-1-29A



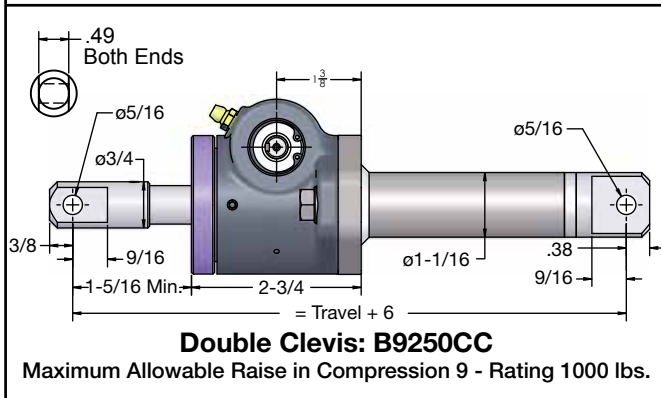
Inverted: B9250TV



Clevis End B9225-11A

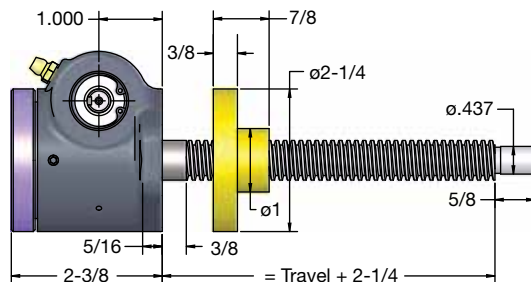


Upright Rotating: B9250U



Double Clevis: B9250CC

Maximum Allowable Raise in Compression 9 - Rating 1000 lbs.



Inverted Rotating: B9250D

Note: Lifting screw is not keyed. Top should be secured to a lifting member to prevent rotation. When a Bellows Boot is required, see pages 148-149. Dimensions are subject to change without notice. When the lifting screw is keyed, the holes in the top plate will not necessarily be in the position shown.