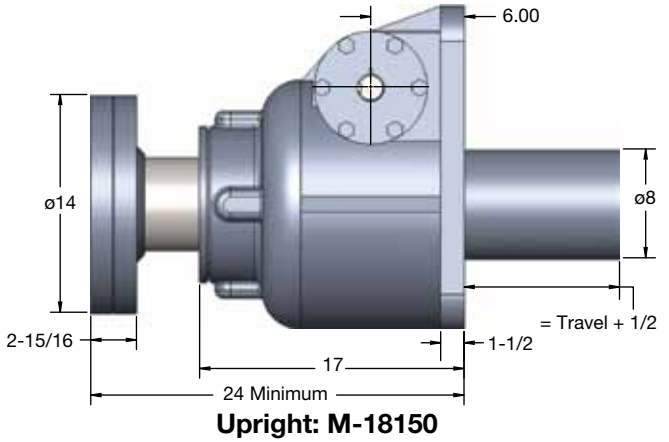
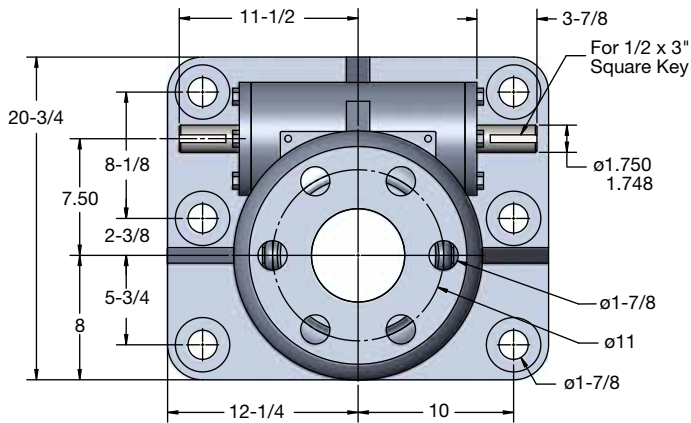
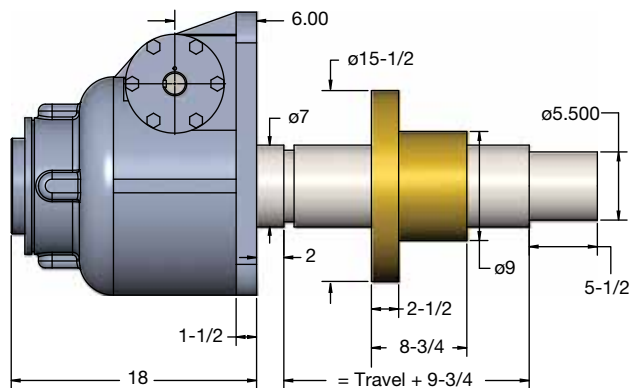
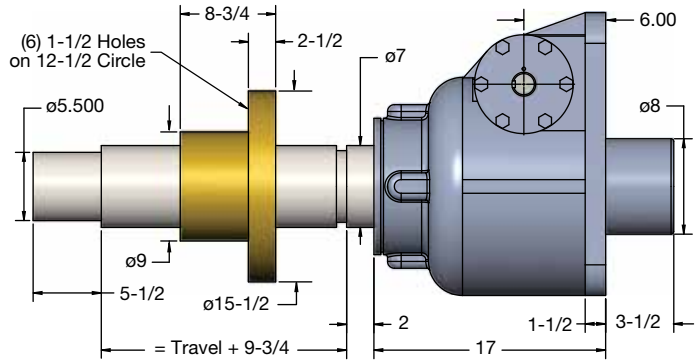
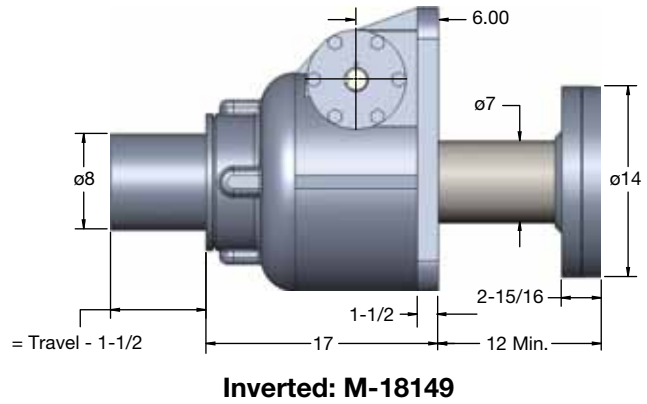
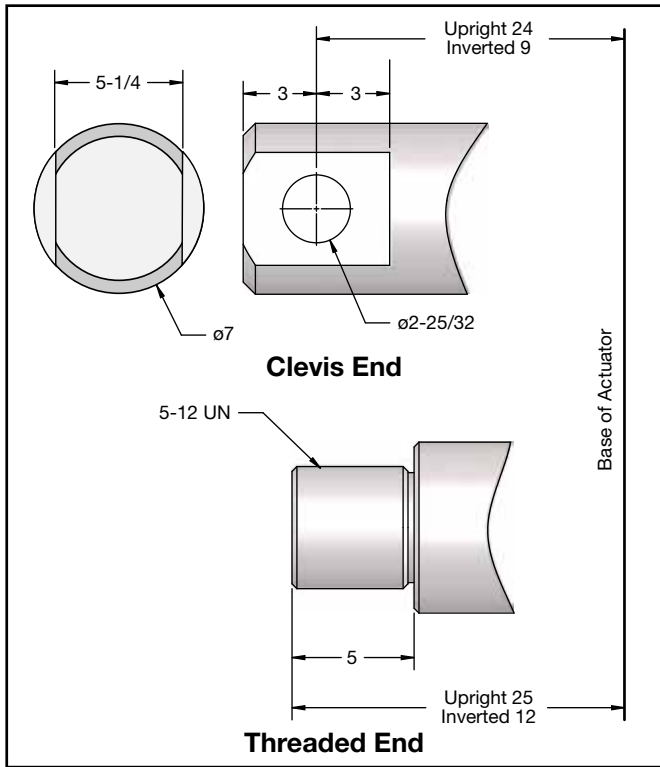


# MACHINE SCREW ACTUATORS 150 TON CAPACITY



## 7" Diameter x 1.0" Lead Lifting Screws



Note: Lifting screw is not keyed. Top should be secured to a lifting member to prevent rotation. When a Bellows Boot is required, see pages 148-149. Dimensions are subject to change without notice.