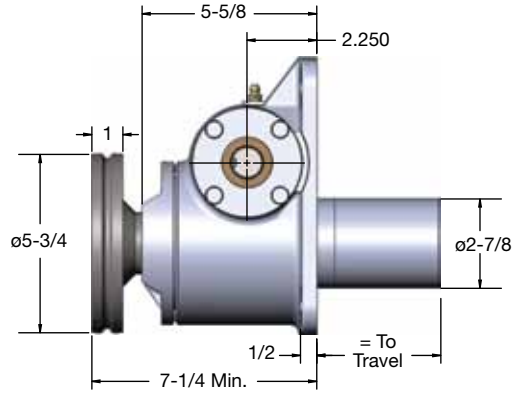
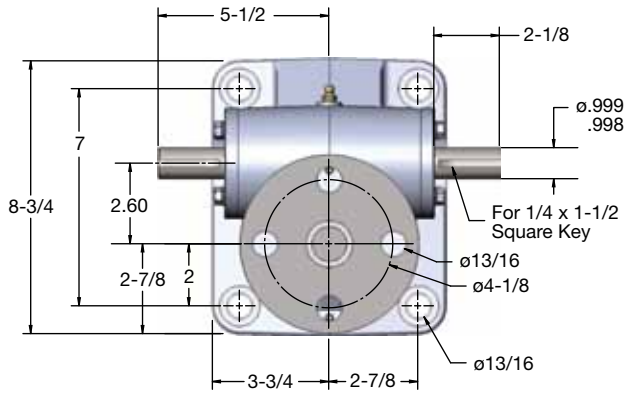


# MACHINE SCREW

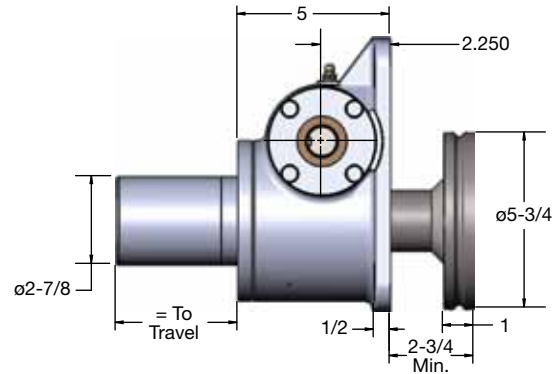
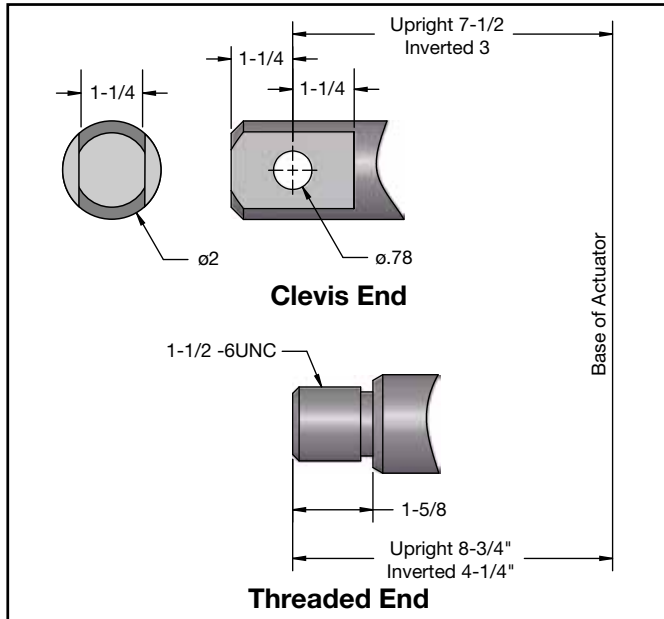
## ACTUATORS

### 10 TON CAPACITY

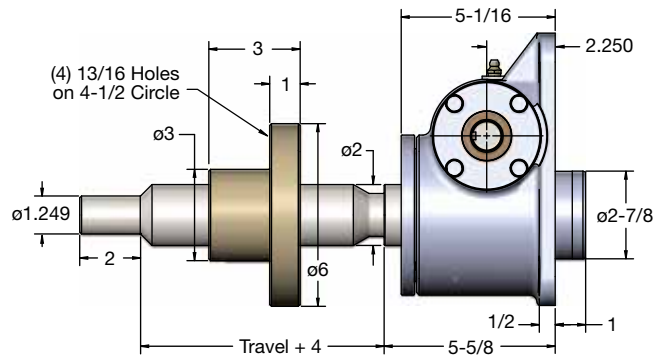
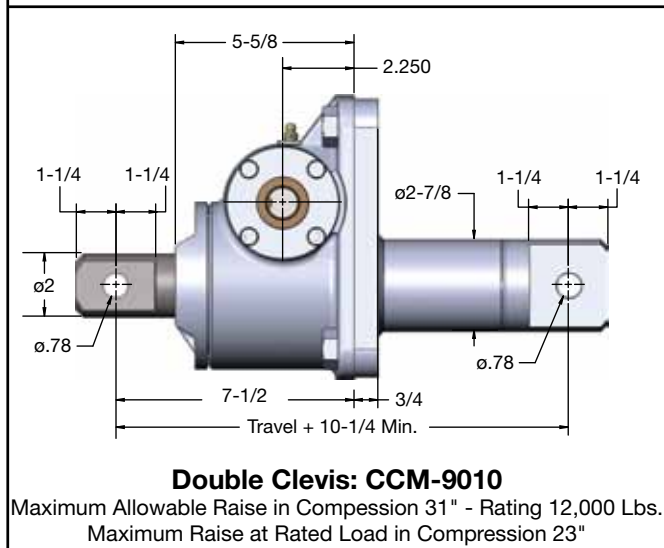


**Upright: M-9010**

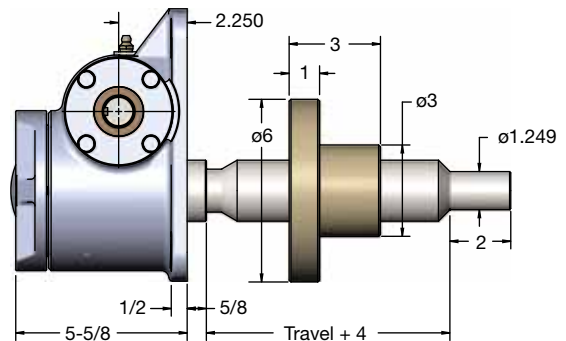
### 2" Diameter x .500 Lead Lifting Screws



**Inverted: M-9009**



**Upright Rotating: UM-9011**



**Inverted Rotating: DM-9011**

**Double Clevis: CCM-9010**  
 Maximum Allowable Raise in Compression 31" - Rating 12,000 Lbs.  
 Maximum Raise at Rated Load in Compression 23"

Note: Lifting screw is not keyed. Top should be secured to a lifting member to prevent rotation. When a Bellows Boot is required, see pages 148-149. Dimensions are subject to change without notice.