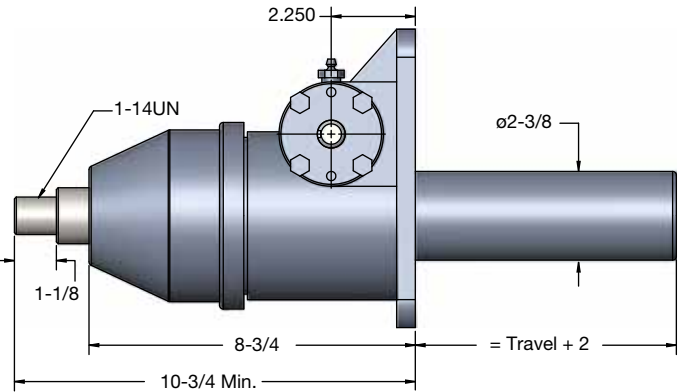
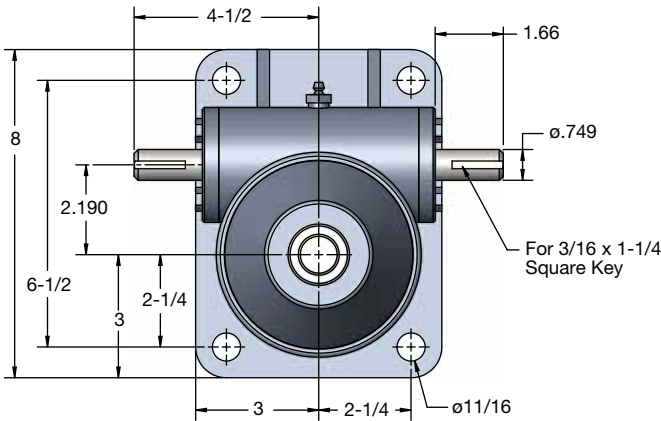
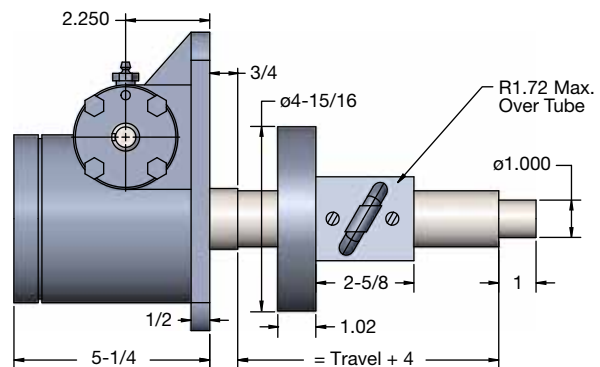
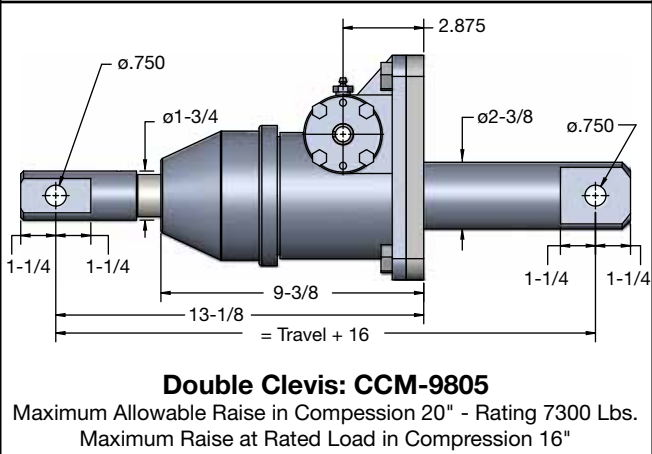
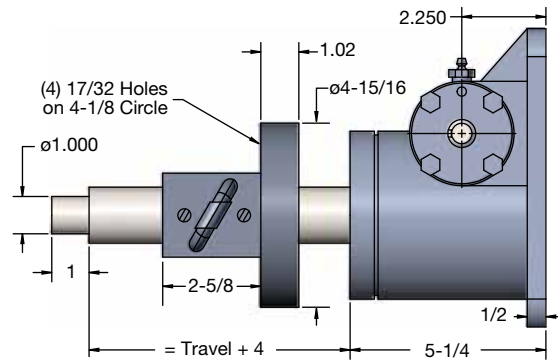
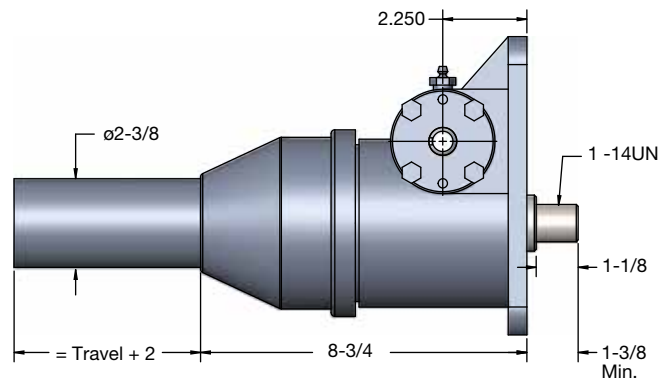
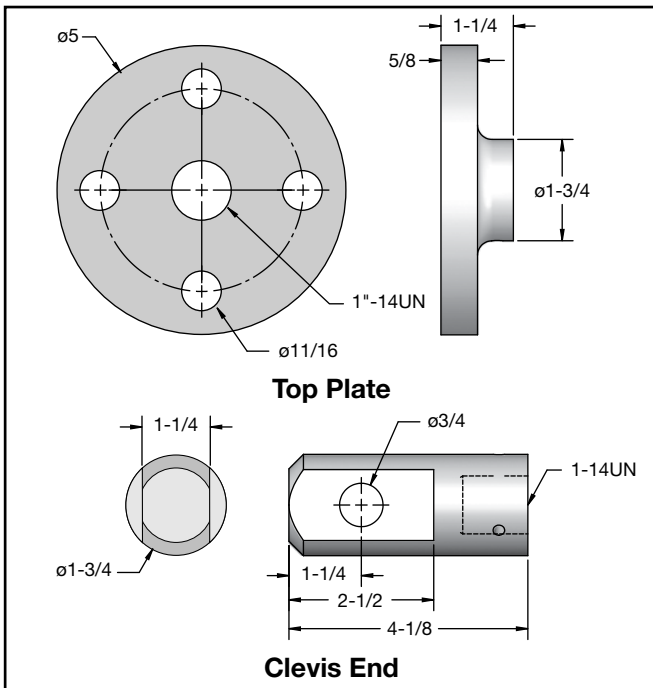


BALL SCREW ACTUATORS

5 TON CAPACITY - 1 INCH LEAD



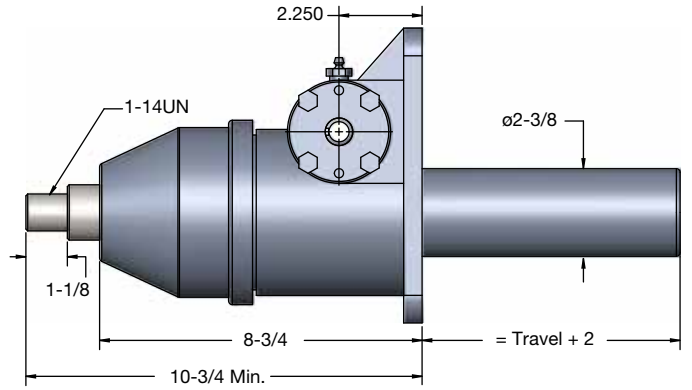
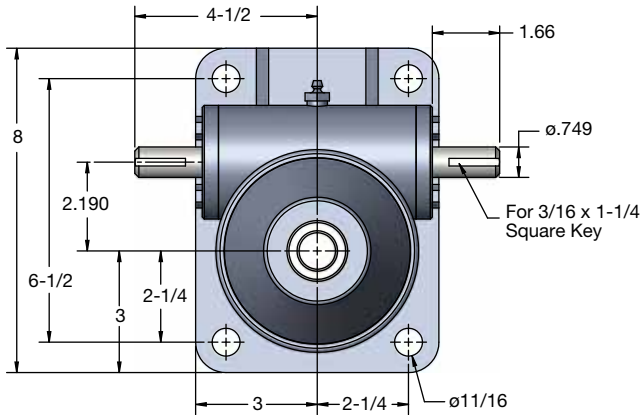
1-1/2" Diameter x 1.000 Lead Lifting Screws



Note: Lifting screw is not keyed. Top should be secured to a lifting member to prevent rotation. When a Bellows Boot is required, see pages 148-149. Dimensions are subject to change without notice.

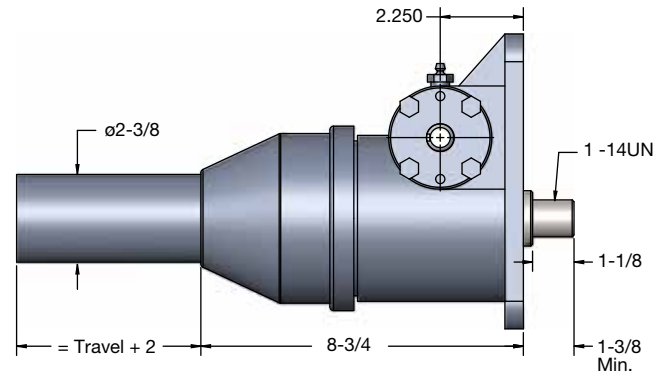
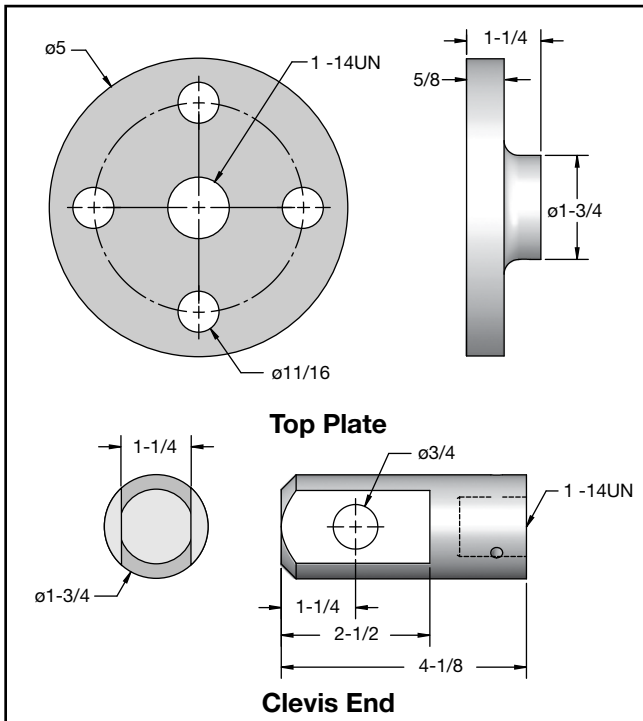
BALL SCREW ACTUATORS

5 TON CAPACITY

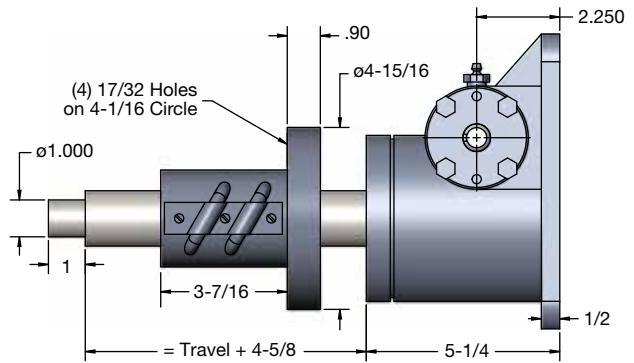


Upright: M-9805

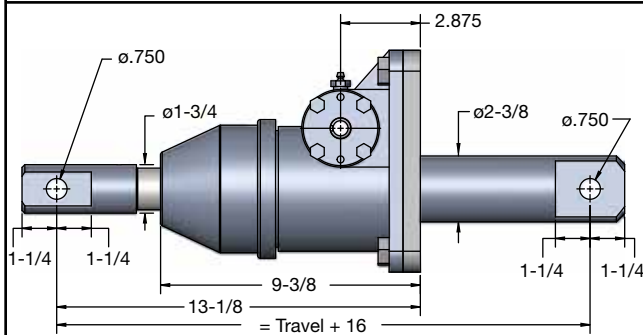
1-1/2" Diameter x .474 Lead Lifting Screws



Inverted: M-9804

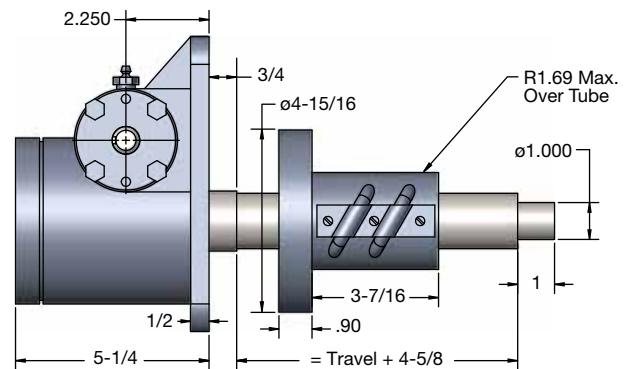


Upright Rotating: UM-9806



Double Clevis: CCM-9805

Maximum Allowable Raise in Compression 20" - Rating 7,300 Lbs.
Maximum Raise at Rated Load in Compression 16"



Inverted Rotating: DM-9806

Note: Lifting screw is not keyed. Top should be secured to a lifting member to prevent rotation. When a Bellows Boot is required, see pages 148-149. Dimensions are subject to change without notice.