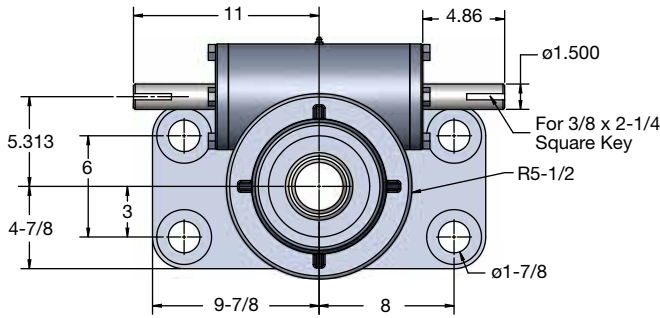
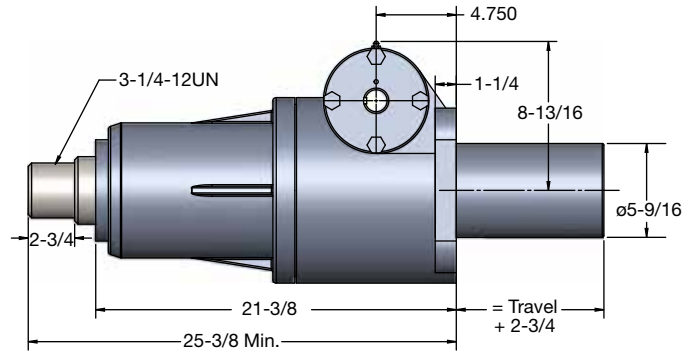


BALL SCREW ACTUATORS

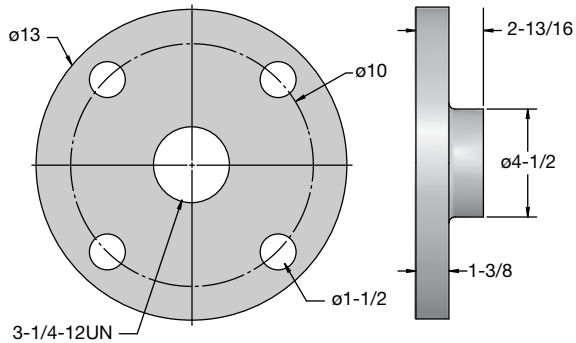
50 TON CAPACITY† — 2800 SERIES



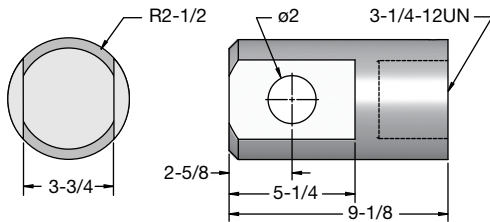
4" Diameter x 1.000 Lead Lifting Screws



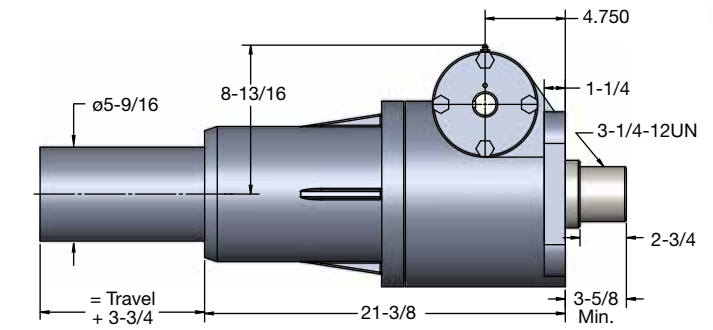
Upright: M-2860



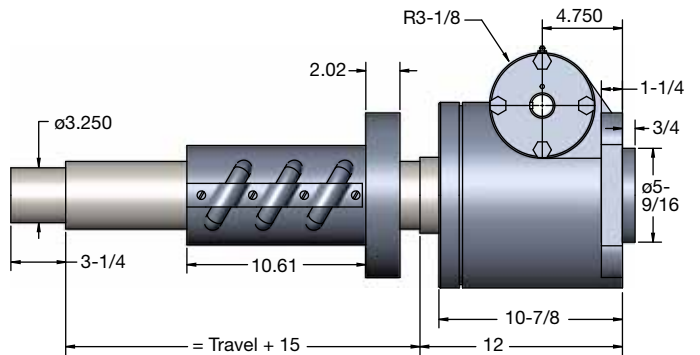
Top Plate



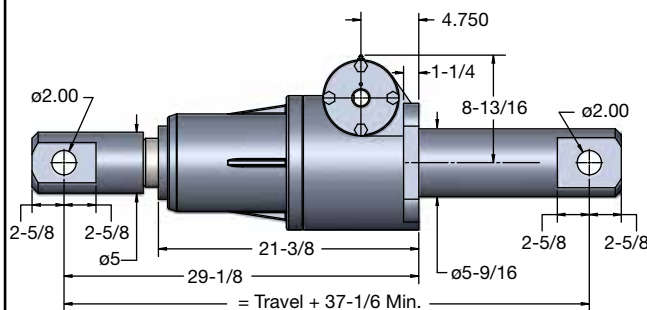
Clevis End



Inverted: M-2859



Upright Rotating: UM-2861

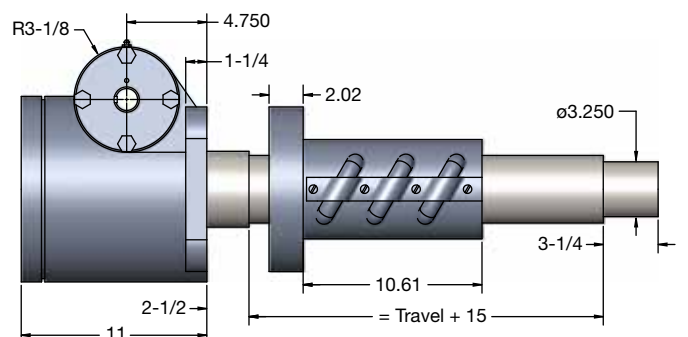


Double Clevis: CCM-2860

Maximum Allowable Raise in Compression 65" - Rating 62,000 Lbs.
Maximum Raise at Rated Load in Compression 47"

Note: Lifting screw is not keyed. Top should be secured to a lifting member to prevent rotation. When a Bellows Boot is required, see pages 148-149. Dimensions are subject to change without notice.

†Does your ball screw application require more than 50 tons? Please contact our Customer Service group to explore our specialty options for higher load ratings up to 100 tons.



Inverted Rotating: DM-2861