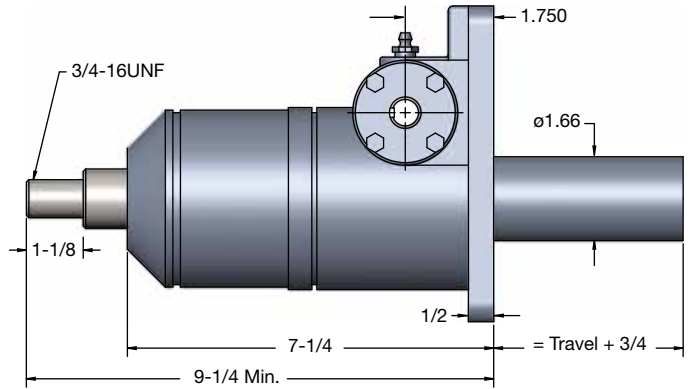
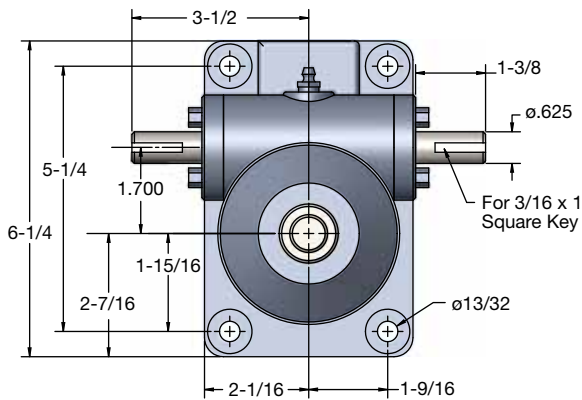


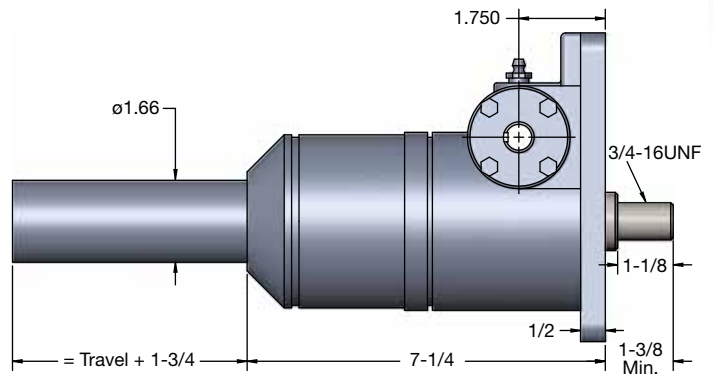
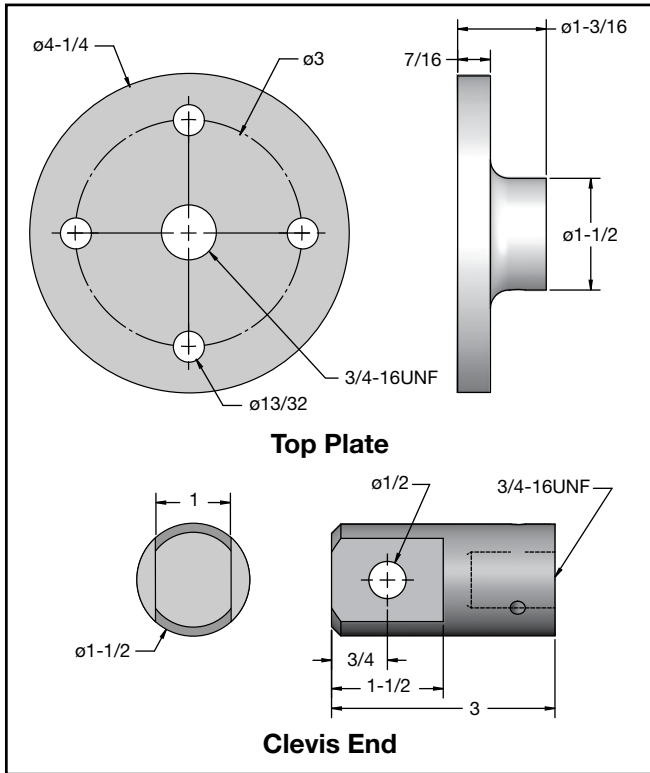
# BALL SCREW ACTUATORS

## 3 TON CAPACITY — 9800 SERIES

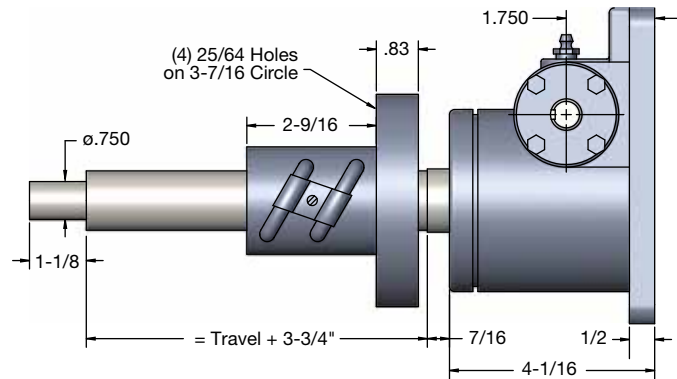


**Upright: M-98003**

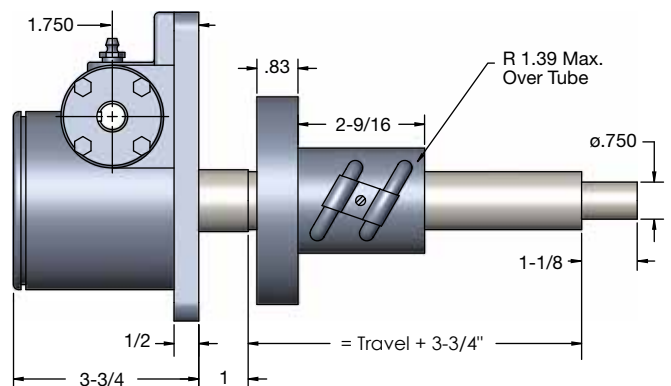
### 1-11/64" Diameter x .413 Lead Lifting Screws



**Inverted: M-98002**



**Upright Rotating: UM-98004**

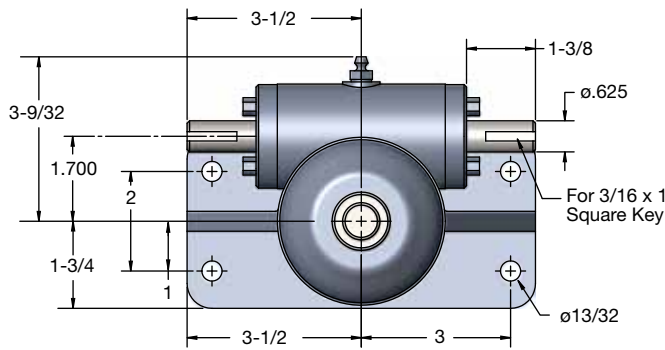


**Inverted Rotating: DM-98004**

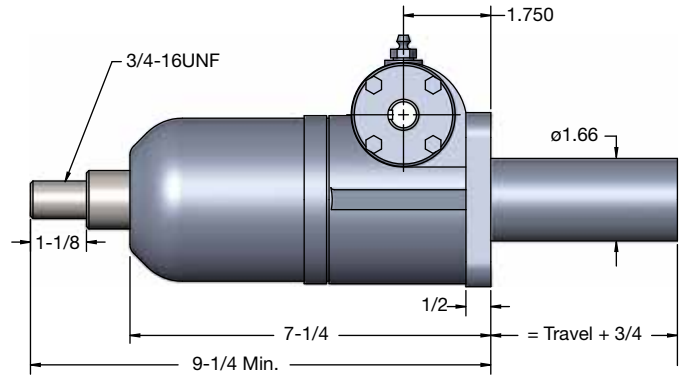
Note: Lifting screw is not keyed. Top should be secured to a lifting member to prevent rotation. When a Bellows Boot is required, see pages 148-149. Dimensions are subject to change without notice.

# BALL SCREW ACTUATORS

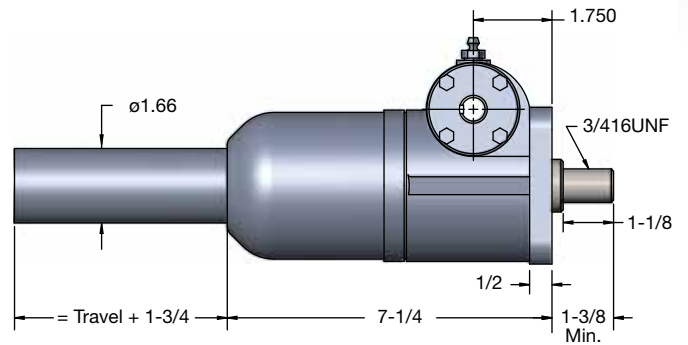
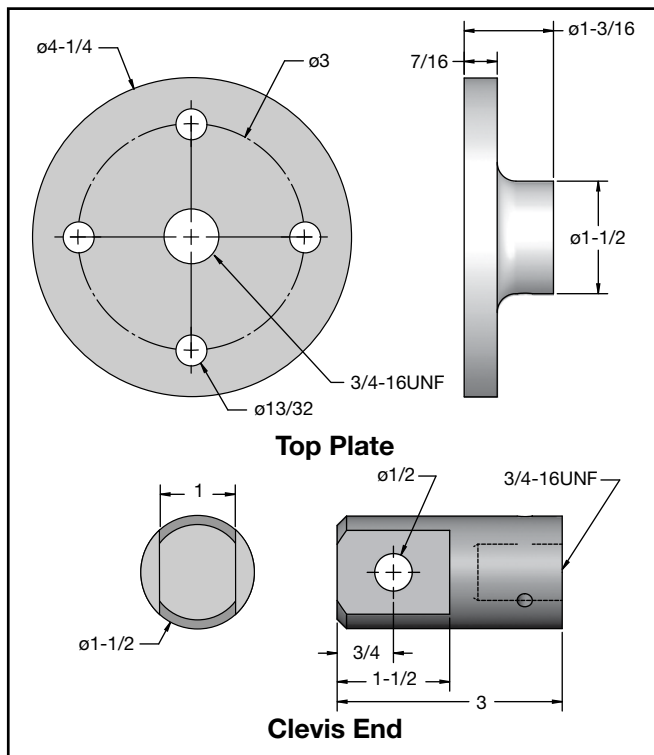
## 3 TON CAPACITY — 2800 SERIES



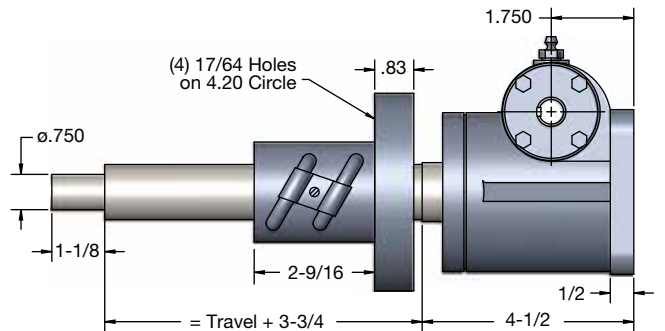
**1-11/64" Diameter x .413 Lead Lifting Screws**



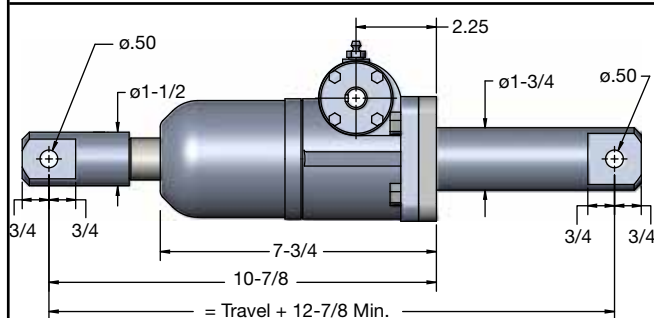
**Upright: M-28003**



**Inverted: M-28002**

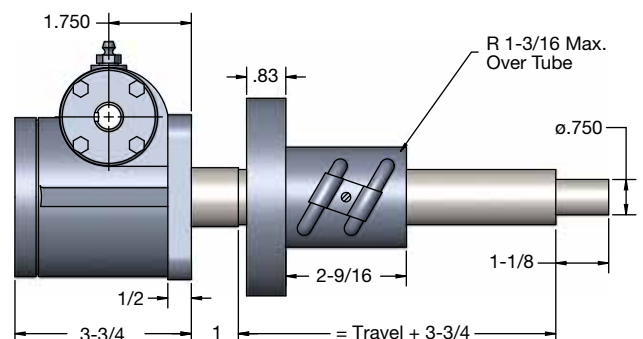


**Upright Rotating: KUM-28004**



**Double Clevis: CCM-28003**

Maximum Allowable Raise in Compression 15" - Rating 4200 Lbs.  
Maximum Raise at Rated Load in Compression 13"



**Inverted Rotating: KDM-28004**

Note: Lifting screw is not keyed. Top should be secured to a lifting member to prevent rotation. When a Bellows Boot is required, see pages 148-149. Dimensions are subject to change without notice.