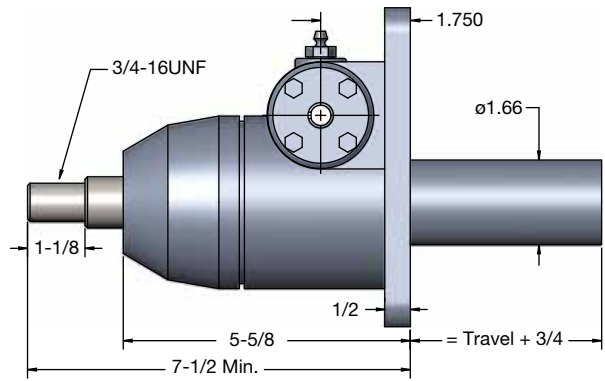
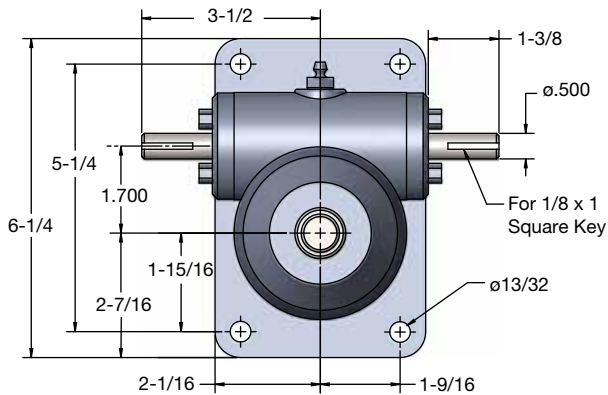


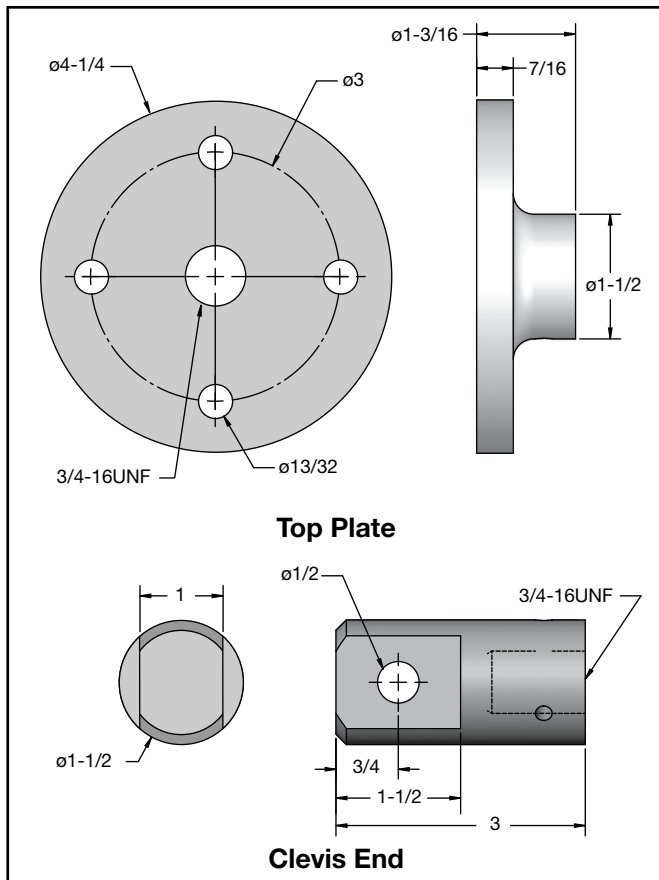
# BALL SCREW ACTUATORS

## 2 TON CAPACITY - 1 INCH LEAD — 9800 SERIES

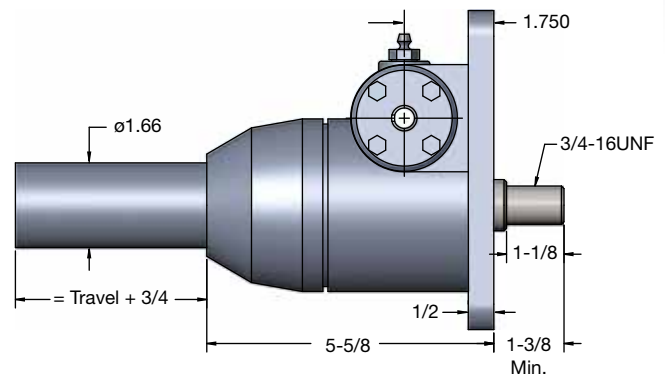


**Upright: M-98021**

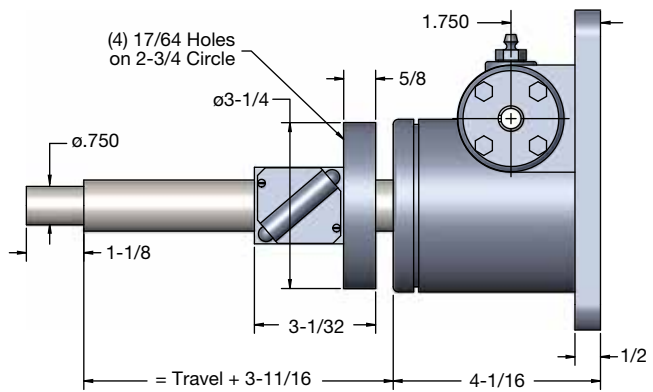
### 1" Diameter x 1.00 Lead Lifting Screws



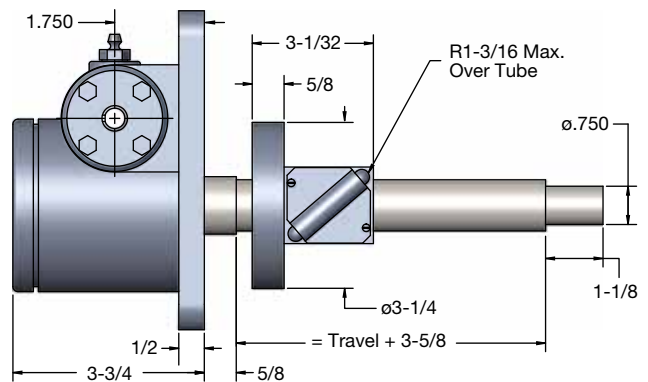
Note: Lifting screw is not keyed. Top should be secured to a lifting member to prevent rotation. When a Bellows Boot is required, see pages 148-149. Dimensions are subject to change without notice.



**Inverted: M-98011**



**Upright Rotating: UM-98031**



**Inverted Rotating: DM-98031**

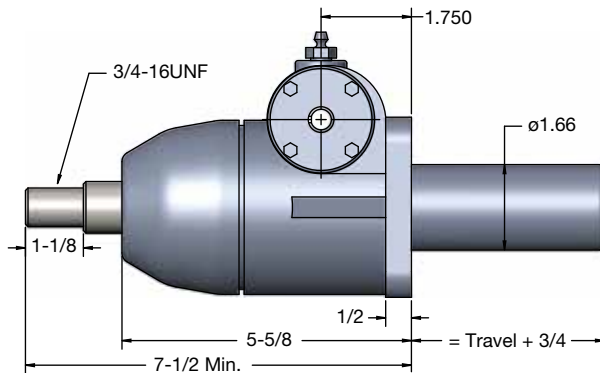
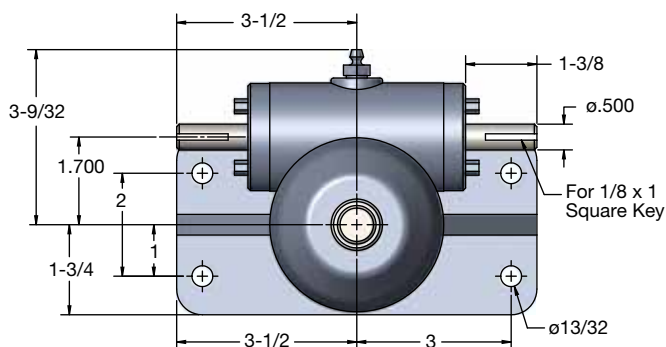






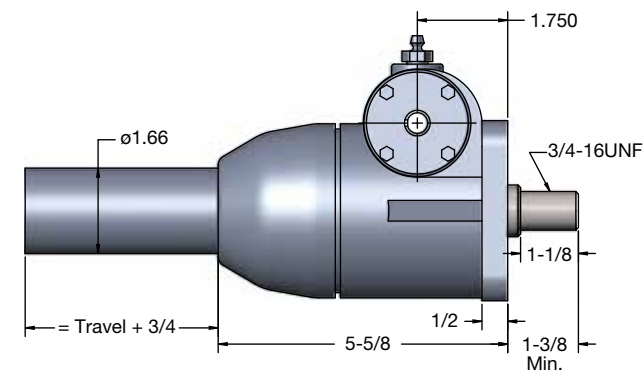
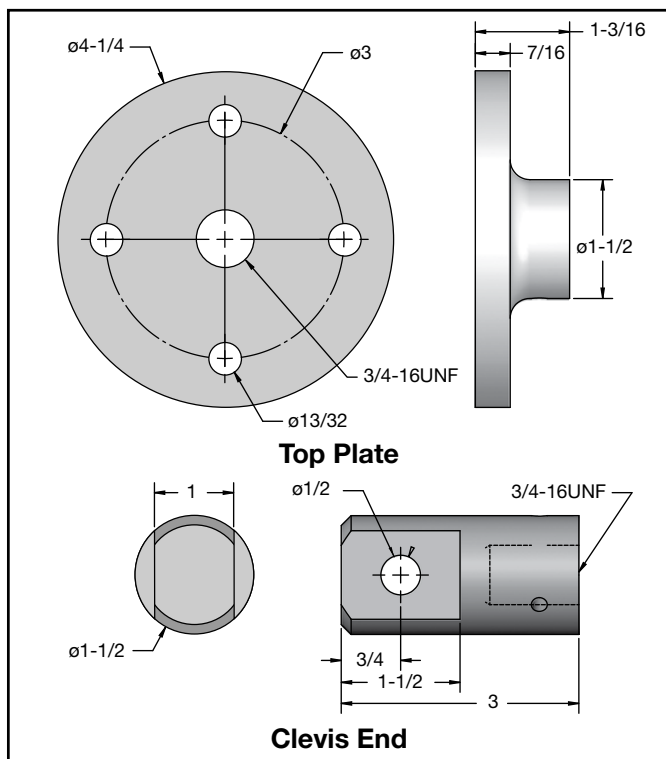
# BALL SCREW ACTUATORS

## 2 TON CAPACITY - 1 INCH LEAD — 2800 SERIES

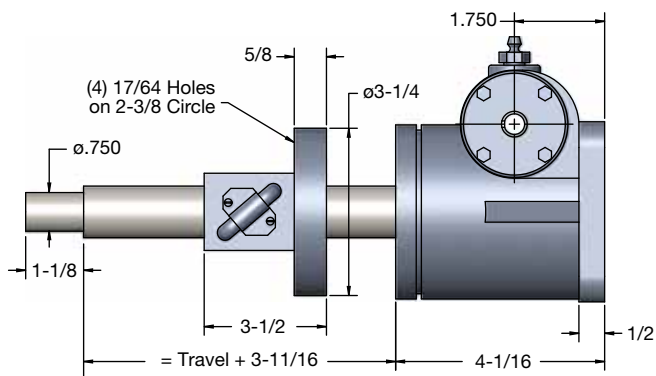


**Upright: M-28021**

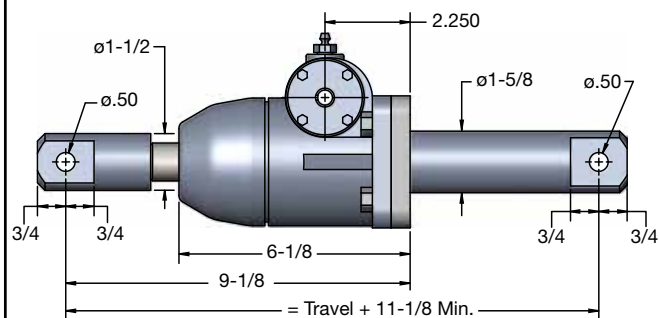
### 1" Diameter x 1.000 Lead Lifting Screws



**Inverted: M-28011**

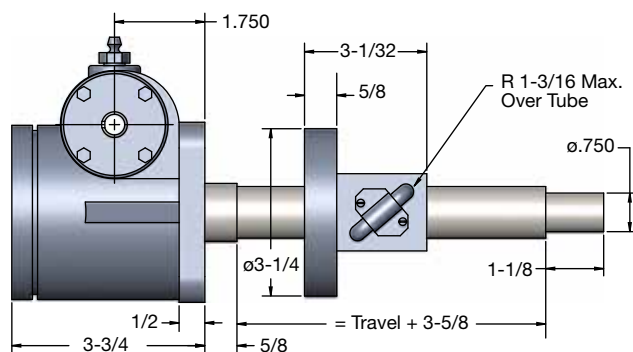


**Upright Rotating: KUM-28031**



**Double Clevis: CCM2802**

Maximum Allowable Raise in Compression 15" - Rating 3800 Lbs.  
Maximum Raise at Rated Load in Compression 14"

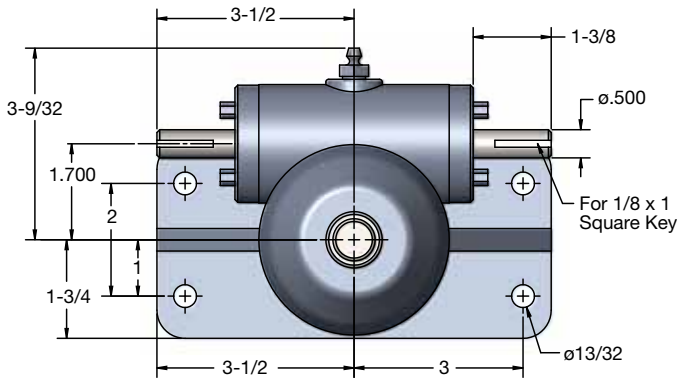


**Inverted Rotating: KDM-28031**

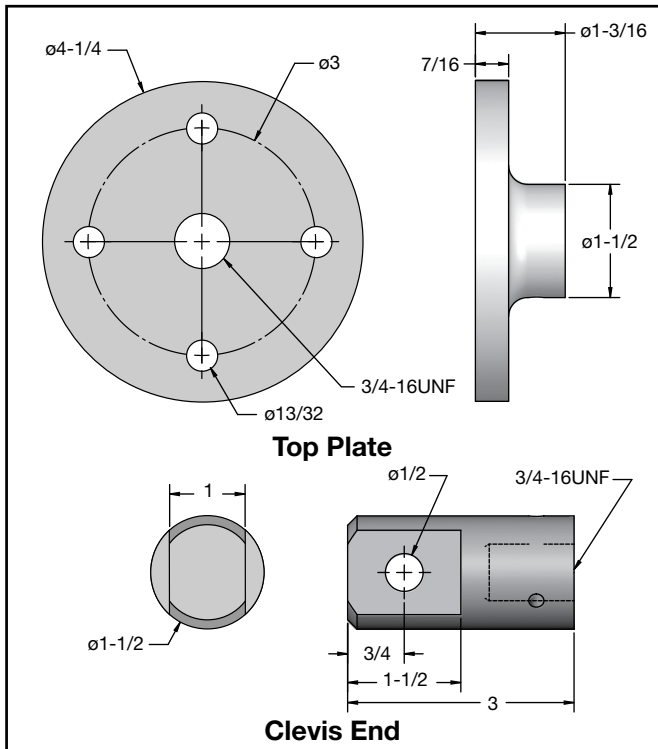
Note: Lifting screw is not keyed. Top should be secured to a lifting member to prevent rotation. When a Bellows Boot is required, see pages 148-149. Dimensions are subject to change without notice.

# BALL SCREW ACTUATORS

## 2 TON CAPACITY — 2800 SERIES

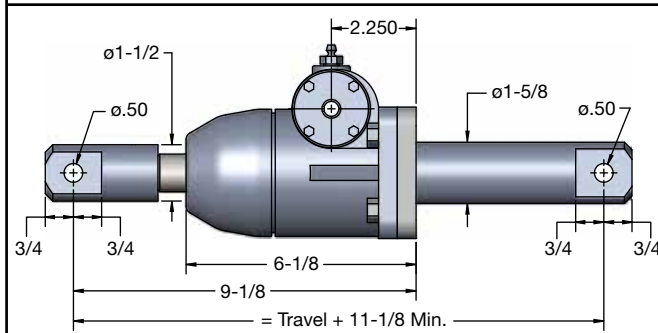


**1" Diameter x .250 Lead Lifting Screws**



**Top Plate**

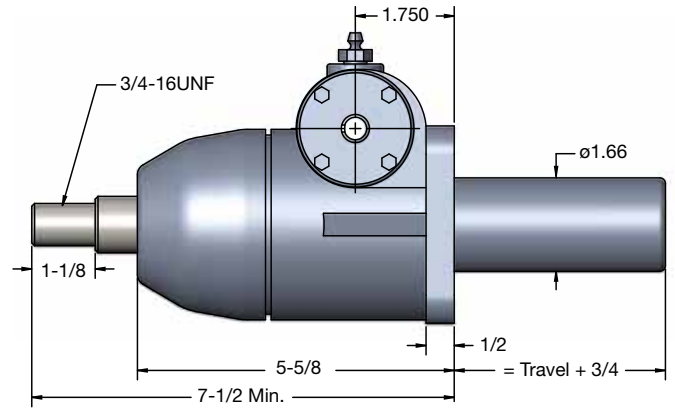
**Clevis End**



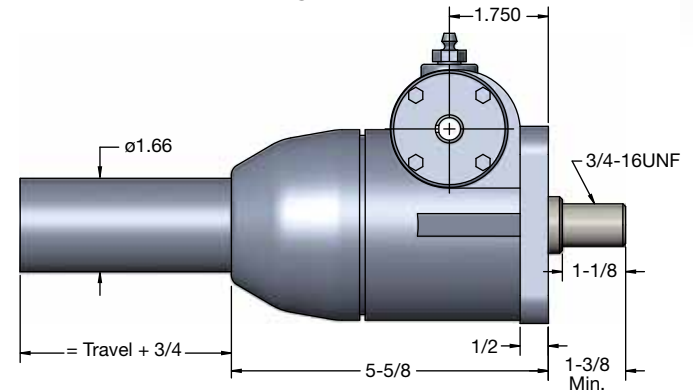
**Double Clevis: CCM2802**

Maximum Allowable Raise in Compression 15" - Rating 3800 Lbs.  
Maximum Raise at Rated Load in Compression 14"

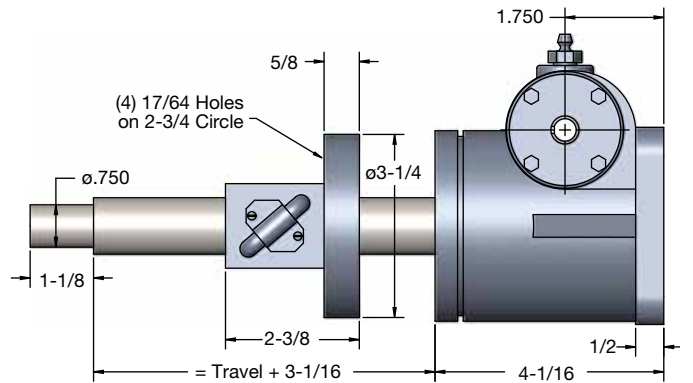
Note: Lifting screw is not keyed. Top should be secured to a lifting member to prevent rotation. When a Bellows Boot is required, see pages 148-149. Dimensions are subject to change without notice.



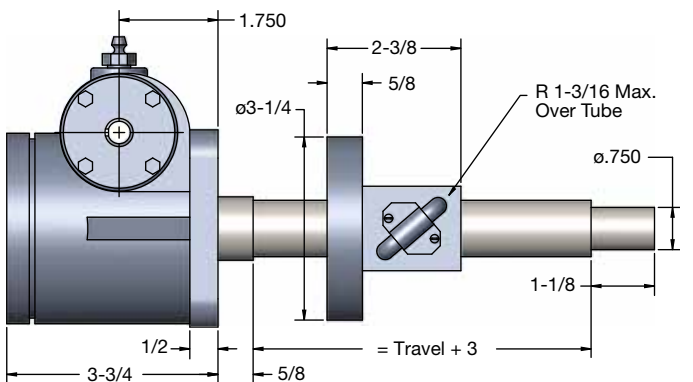
**Upright: M-2802**



**Inverted: M-2801**



**Upright Rotating: KUM-2803**



**Inverted Rotating: KDM-2803**