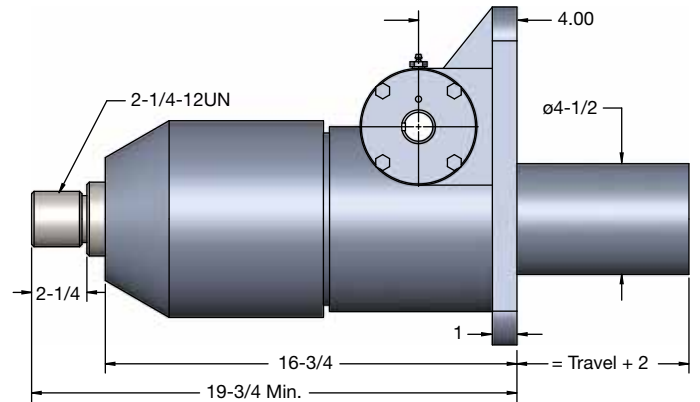
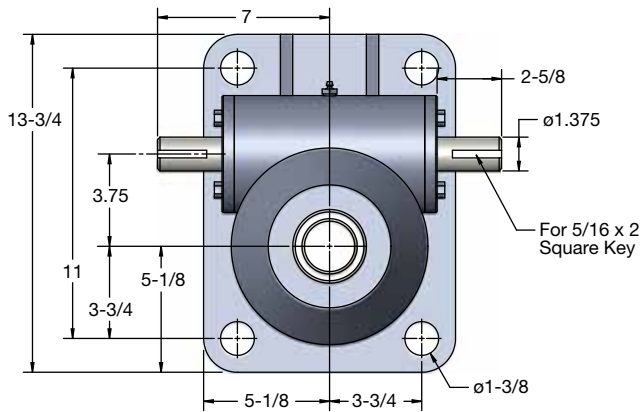


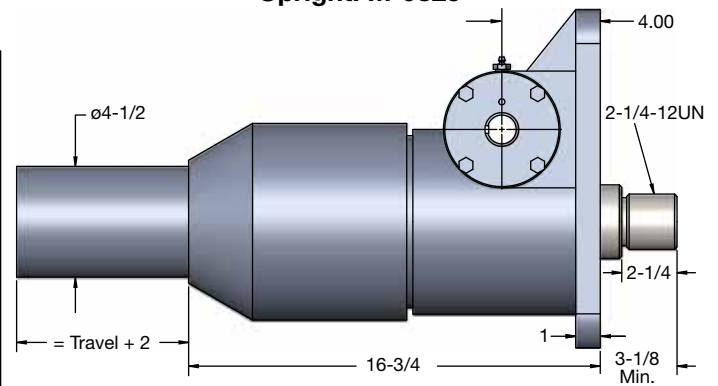
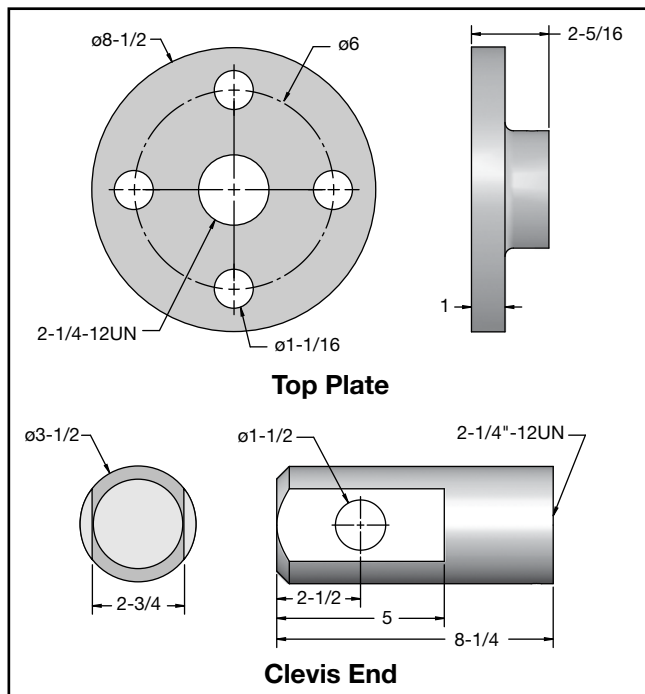
BALL SCREW ACTUATORS

25 TON CAPACITY

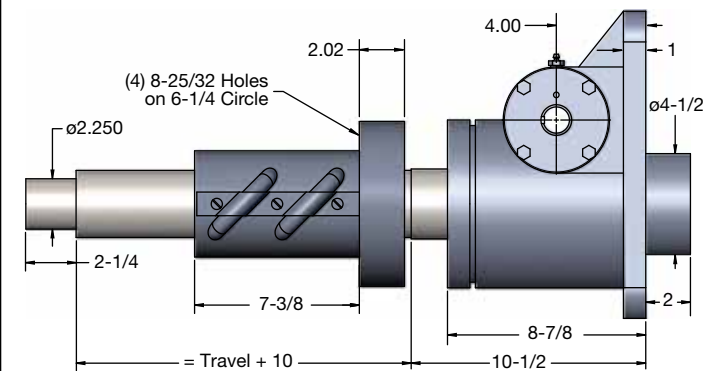


Upright: M-9825

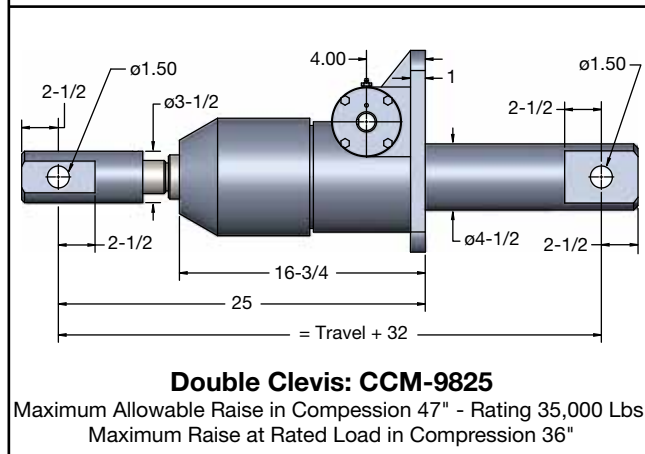
3" Diameter x .660 Lead Lifting Screws



Inverted: M-9824

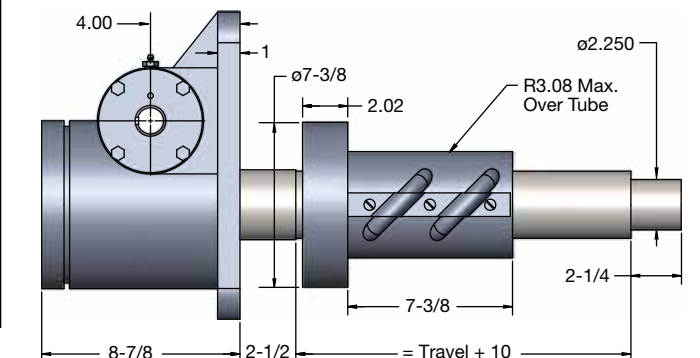


Upright Rotating: UM-9826



Double Clevis: CCM-9825

Maximum Allowable Raise in Compression 47" - Rating 35,000 Lbs.
Maximum Raise at Rated Load in Compression 36"



Inverted Rotating: DM-9826

Note: Lifting screw is not keyed. Top should be secured to a lifting member to prevent rotation. When a Bellows Boot is required, see pages 148-149. Dimensions are subject to change without notice.