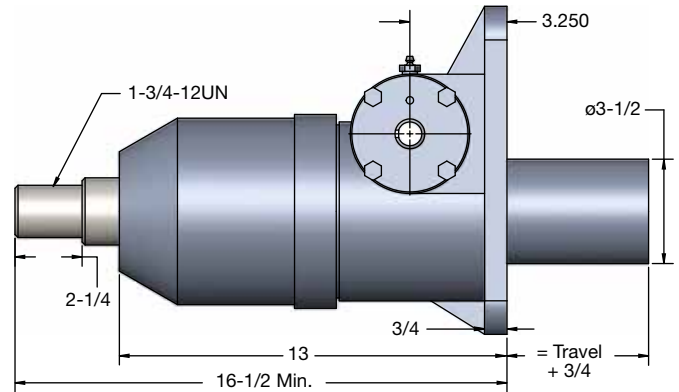
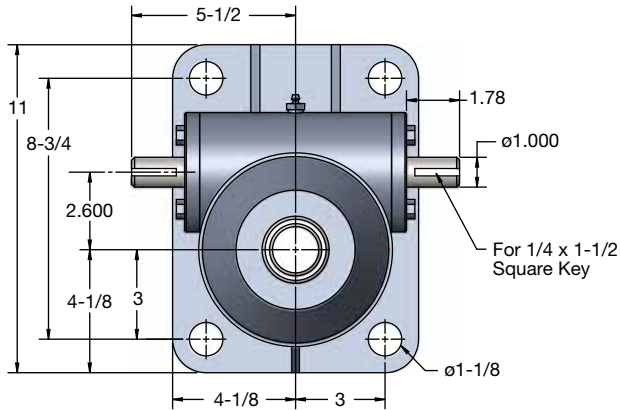


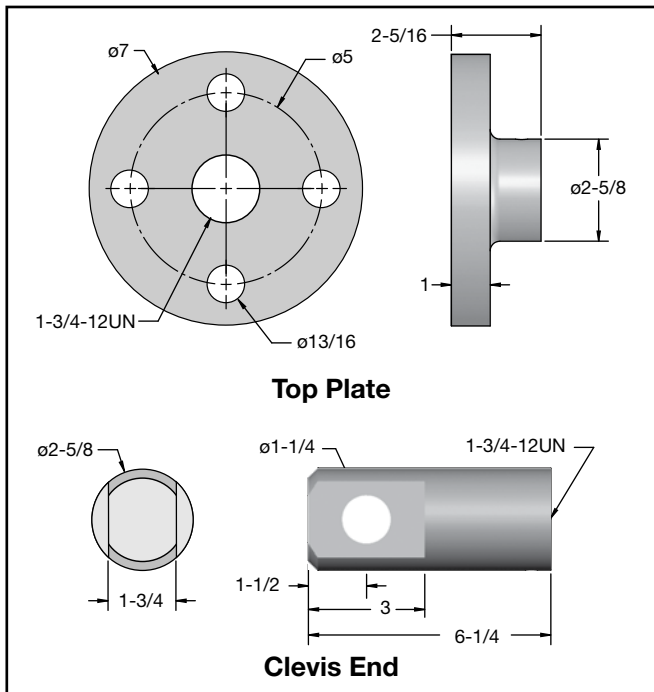
BALL SCREW ACTUATORS

20 TON CAPACITY STANDARD AND 1 INCH LEAD



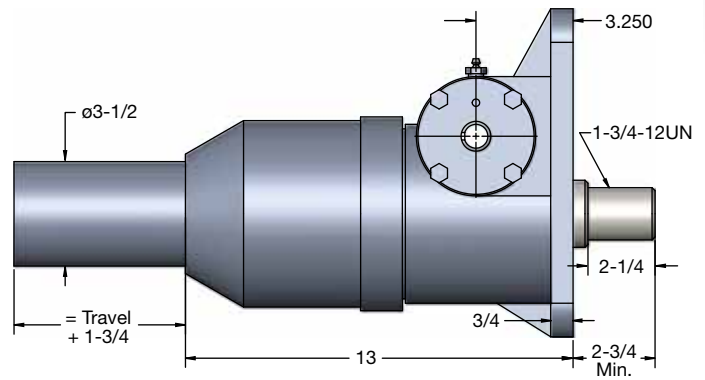
Upright: M-9820 or M-98201

2-1/4" Diameter x .500 Lead Lifting Screws
2-1/4" Diameter x 1.00 Lead Lifting Screws

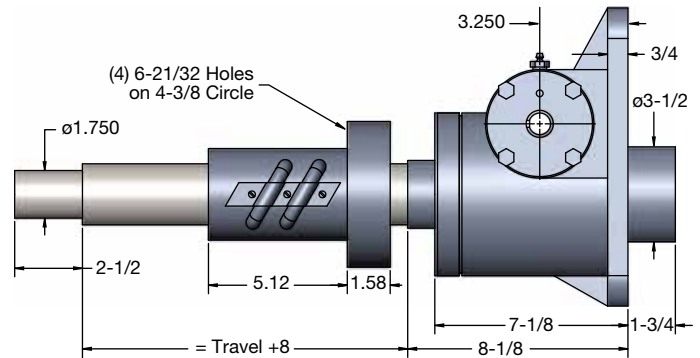


Top Plate

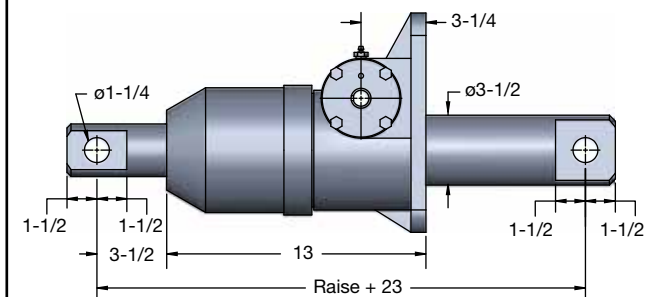
Clevis End



Inverted: M-9819 or M-98191

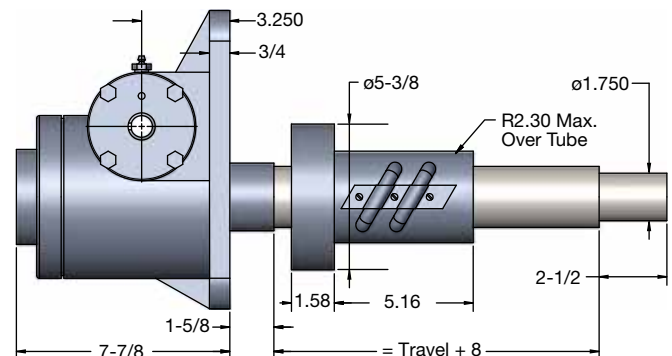


Upright Rotating: AUM-9821 or AUM-98211



Double Clevis: CCM-9820

Maximum Allowable Raise in Compression 93" - Rating 94,000 Lbs.
 Maximum Raise at Rated Load in Compression 90"



Inverted Rotating: ADM-9821 or ADM-98211

Note: Lifting screw is not keyed. Top should be secured to a lifting member to prevent rotation. When a Bellows Boot is required, see pages 148-149. Dimensions are subject to change without notice.