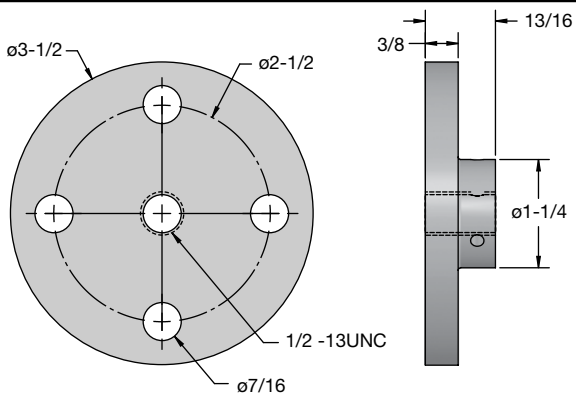
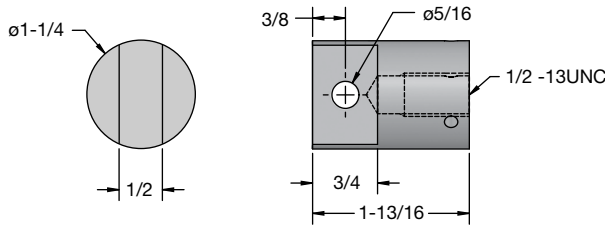


**Upright: M-28750**

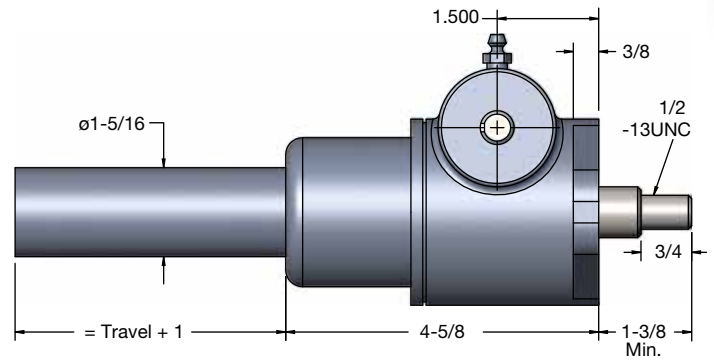
**3/4" Diameter x .200 Lead Lifting Screws**



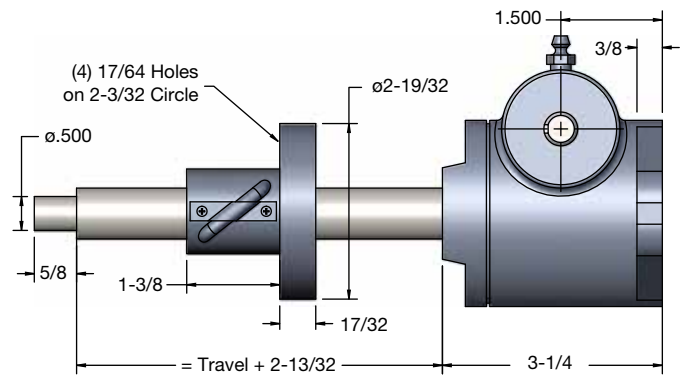
**Top Plate**



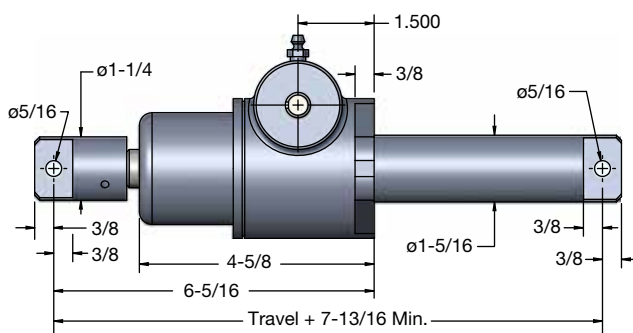
**Clevis End**



**Inverted: M-28749**



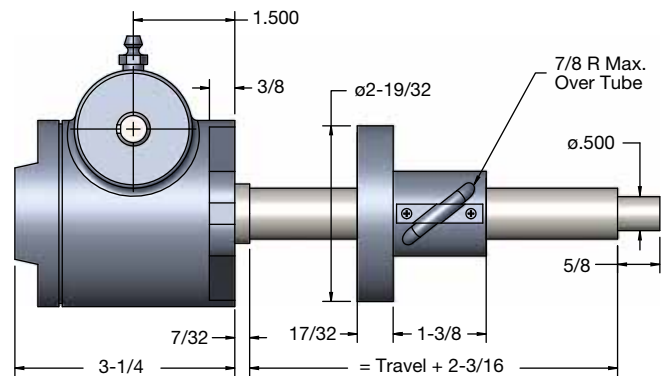
**Upright Rotating: UM-28751**



**Double Clevis: CCM-28750**

Maximum Allowable Raise in Compression 12" - Rating 2000 Lbs.

Note: Lifting screw is not keyed. Top should be secured to a lifting member to prevent rotation. When a Bellows Boot is required, see pages 148-149. Dimensions are subject to change without notice.



**Inverted Rotating: DM-28751**