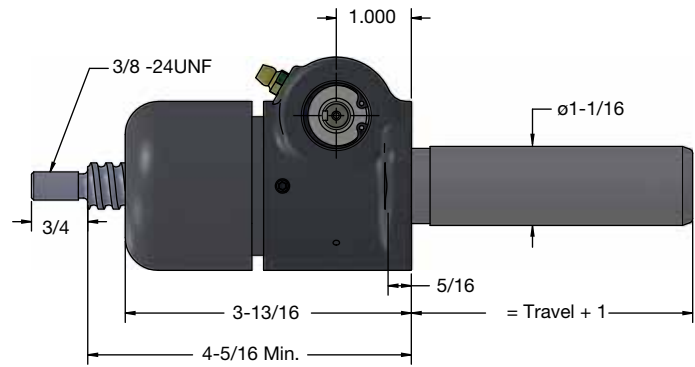
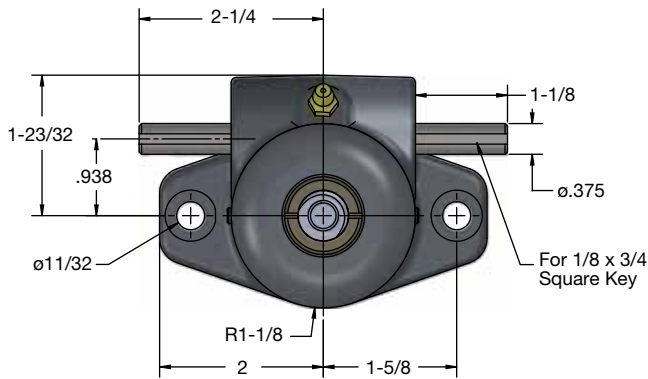


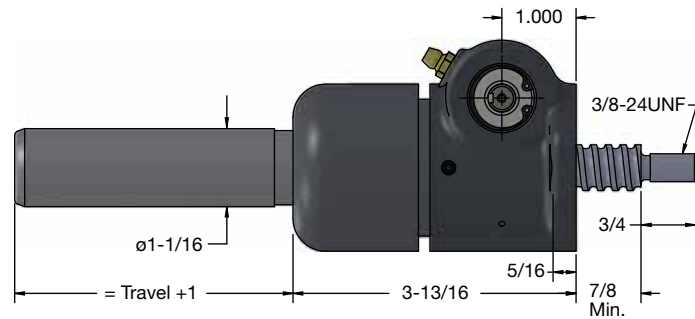
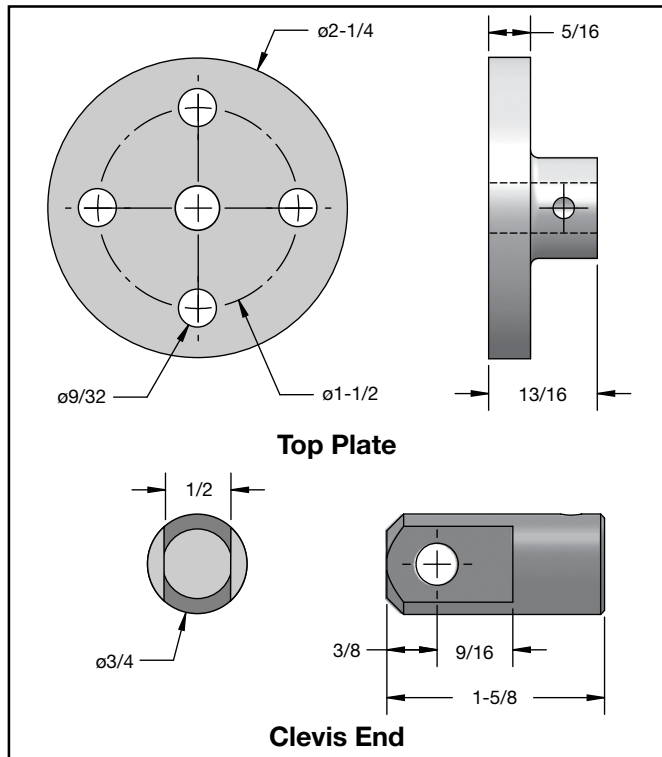
# BALL SCREW ACTUATORS

1/2 TON CAPACITY

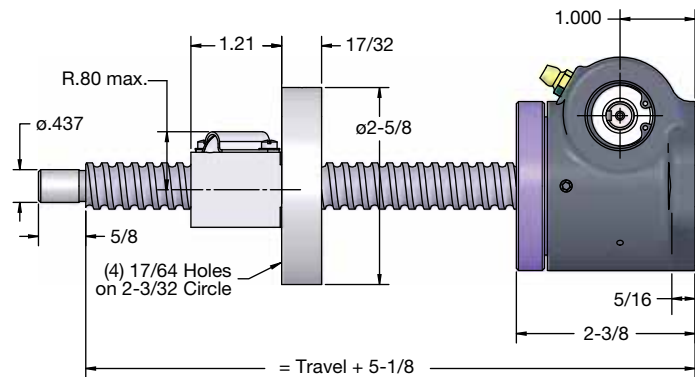


**Upright: B9863T**

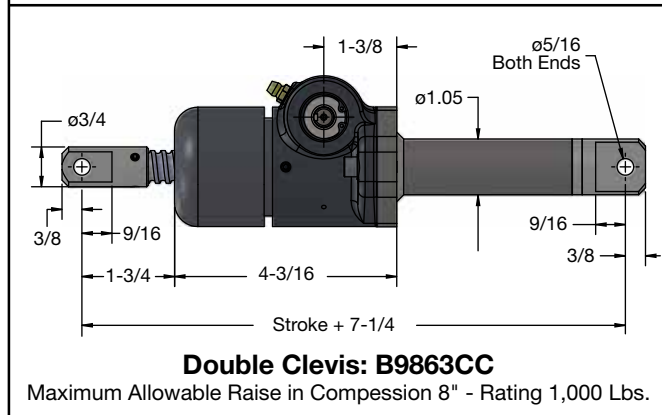
**.631 Diameter x .200 Lead Lifting Screws**



**Inverted: B9863TV**

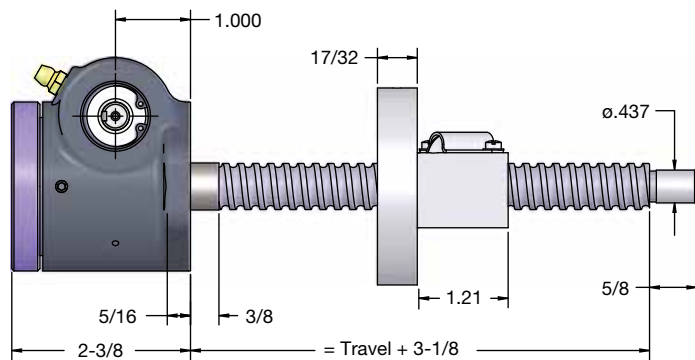


**Upright Rotating: B9863U**



**Double Clevis: B9863CC**

Maximum Allowable Raise in Compression 8" - Rating 1,000 Lbs.



**Inverted Rotating: B9863D**

Note: Lifting screw is not keyed. Top should be secured to a lifting member to prevent rotation. When a Bellows Boot is required, see pages 148-149. Dimensions are subject to change without notice.