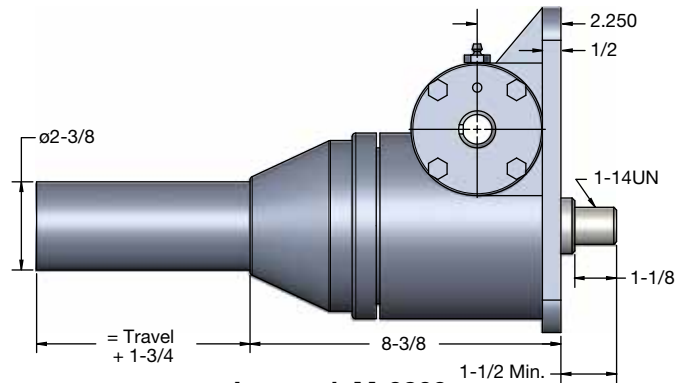
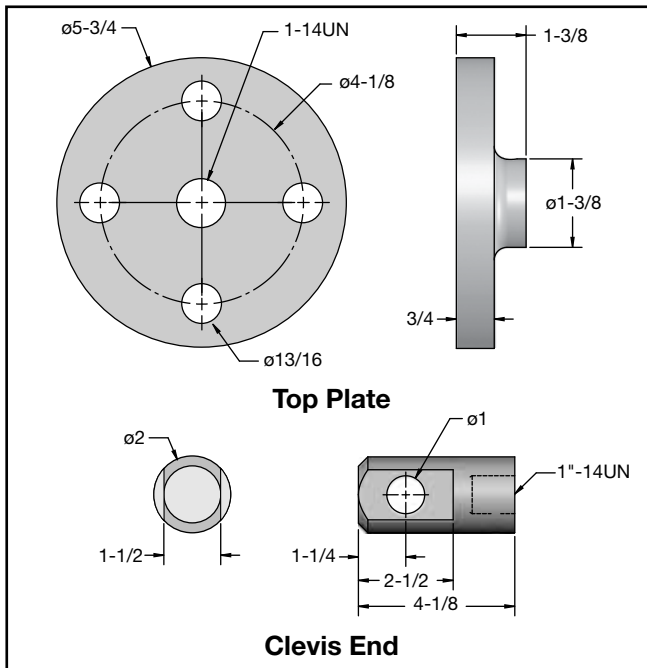
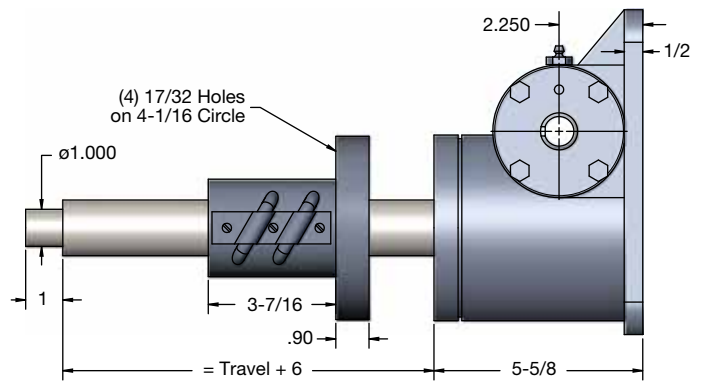


Upright: M-9810

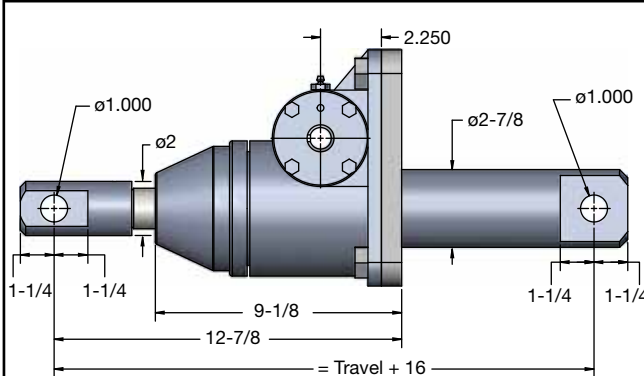
1-1/2" Diameter x .474 Lead Lifting Screws



Inverted: M-9809

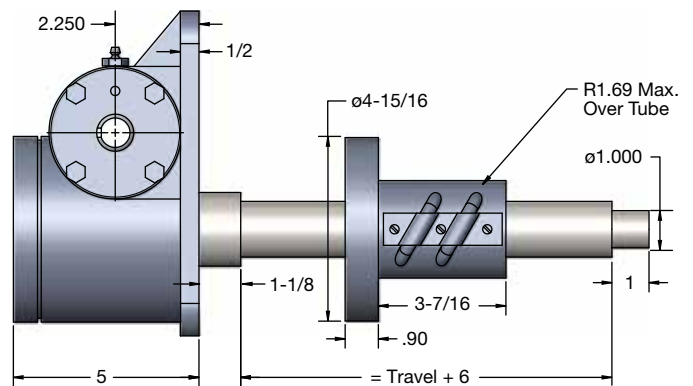


Upright Rotating: UM-9811



Double Clevis: CCM-9810

Maximum Allowable Raise in Compression 20" - Rating 7300 Lbs.
Maximum Raise at Rated Load in Compression 9"



Inverted Rotating: DM-9811

Note: Lifting screw is not keyed. Top should be secured to a lifting member to prevent rotation. When a Bellows Boot is required, see pages 148-149. Dimensions are subject to change without notice.