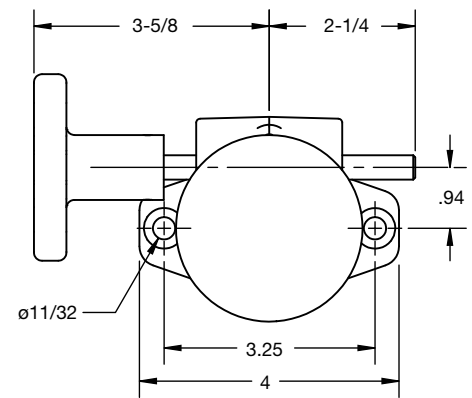
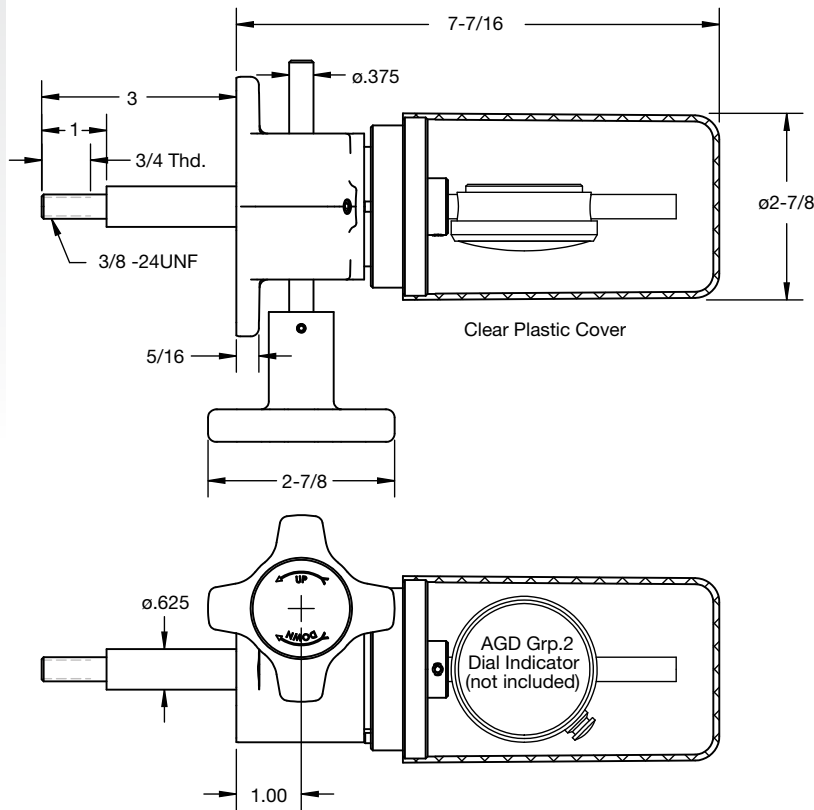


MACHINE SCREW ACTUATORS MICRO-MINIATURE

Specifications



Specifications - Micro-Miniature Actuator

Model Number	Rated Capacity	Screw Diameter	Turns of Worm for 1/2 inch Raise	No Load Torque	Lifting Torque at Full Load	Worm Gear Ratio	Weight	Shell Cap and Housing
B9225MM-xxx	1000 lbs.	.625	500	2 inch - lbs.	18 inch - lbs	20:1	2 lbs	Aluminum
B9225MMS-xxx	1000 lbs.	.625	500	2 inch - lbs.	18 inch - lbs	20:1	3 lbs	Stainless Steel

Note: The load bearings inside stainless steel actuators are not stainless steel. Dimensions are subject to change without notice

FEATURES

- Allows for extremely fine adjustment.
- Corrosion-resistant.
- Equipped with anti-backlash nuts to minimize vertical backlash between the screw and worm gear nut.
- Actuators up to 1,000 lbs.
- Also available in stainless steel. Standard model has anodized aluminum shell cap and housing with stainless steel worm and lifting screws. Also available with sealed 316 stainless steel shell cap, housing, worm and lifting screw.
- Manual operation is accomplished with an easy-to-use hand knob. The dial indicator is protected by a removable clear plastic cover.
- Dial indicators available upon request. Indicate preference when ordering.
- Part No. SK-3554-46 - Balanced dial reading 0-50-0 in .001" graduations with revolution counter.
- Part No. SK-3554-83 - Continuous dial reading 0-100 in .001" graduations with revolution counter.