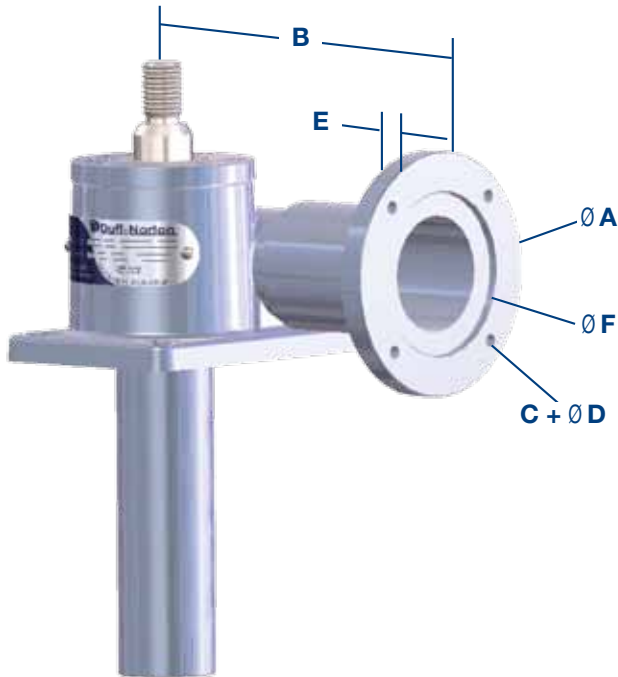


SCREW JACK POWERED ACTUATORS

IEC MOTOR DRIVEN - B-FACE MOTOR ADAPTOR



FEATURES

- Available for 25-200 kN G series screw jacks.
- Designed with Standard IEC B-face dimensions.
- Allows direct coupling of motor shaft with either the left or right side actuator input shaft.
- Comes with coupling, keys, and mounting hardware.
- NEMA motor adapters for our G series actuators are also available.

Dimensions							
Capacity	IEC/Servo Flanges	A Flange O.D.	B Flange Length**	C Mounting Holes B.C.	D Mounting Holes Diameter	E Mounting Hole Depth	F Counter Bore Diameter
25kN - G9002	G9002 - 63B14	90	126	75	6	12.7	60
	G9002 - 71B14	105	133	85	7	12.7	70
	G9002 - 80B14	120	143	100	7	12.7	80
	G9002 - 90B14	140	153	115	9	12.7	95
50kN - G9005	G9005 - 71B5	160	178	130	M8 Tap	12.4	110
	G9005 - 80B5	200	178	165	M10 Tap	12.4	130
	G9005 - 90B5	100	178	165	M10 Tap	12.4	130
	G9005 - 100B14	160	181	130	9	15.7	110
	G9005 - 112B14	160	181	130	9	15.7	110
100kN - G9010	G9010 - 80B5	200	203	165	M10 Tap	12.2	130
	G9010 - 90B5	200	203	165	M10 Tap	12.2	130
	G9010 - 100B14*	190	213	130	9	10.0	110
	G9010 - 112B14*	190	213	130	9	10.0	110
150kN - G9015	G9015 - 80B5	200	203	165	M10 Tap	12.2	130
	G9015 - 90B5	200	203	165	M10 Tap	12.2	130
	G9015 - 100B14*	190	213	130	9	10.0	110
	G9015 - 112B14*	190	213	130	9	10.0	110
200kN - G9020	G9020 - 80B5	200	213	165	M10 Tap	20.1	130
	G9020 - 90B5	200	213	165	M10 Tap	20.1	130
	G9020 - 100B14*	190	223	130	9	10.0	110
	G9020 - 112B14*	190	223	130	9	10.0	110
300kN - G9030	G9030 - 80B5	200	257	165	M10 Tap	20.1	130
	G9030 - 90B5	200	257	165	M10 Tap	20.1	130
	G9030 - 100B14*	190	267	130	9	10.0	110
	G9030 - 112B14*	190	267	130	9	10.0	110

Note: All dimensions are shown in millimeters. All couplings are purchased separately from the motor flange kit.

Use an adapter plate mounted to the G9010-80B5, G9015-80B5, G9020-80B5 and G9030-80B5 Flanges respectively.

Adapter plates should be mounted to the motor, and then to the motor flange

Mounts to the jacks' casting, and replaces the worm cover

SCREW JACK POWERED ACTUATORS

IEC MOTOR DRIVEN - B-FACE MOTOR ADAPTOR

Please provide the following information when ordering:

- Actuator model
- Worm gear ratio
- With or without anti-backlash feature (machine screw actuators)
- Motor horsepower
- Motor frame size
- Left or right motor adaptor position
- Other special requirements

Performance Specifications for 50 Hz Motor												
Actuator Capacity	Worm Gear Ratio	Speed (mm/min)	Lifting Capacity (Newtons)									
			Motor kW									
		RPM	0.12	0.18	0.25	0.37	0.55	0.75	1.10	1.50	2.20	3.70
			Motor RPM at 50 Hz									
		1450	1450	1450	1450	1450	1450	1450	1450	1450	1450	1450
25 kN	6:1	1450	290	800	1380	2400	3910	5600	5490	7860	—	—
	12:1	725	650	1780	3090	5340	8710	—	—	—	—	—
	24:1	362.5	470	1270	2210	3830	—	—	—	—	—	—
50 kN	6:1	2175	—	—	460	1170	2230	3420	5490	7860	1200	—
	12:1	1087.5	—	—	990	2510	4800	7340	11780	16860	—	—
	24:1	543.75	—	—	720	1830	3500	—	—	—	—	—
100 kN	8:1	2175	—	—	—	—	1180	2330	4340	6630	10640	19240
	24:1	725	—	—	—	—	2230	4390	8170	—	—	—
150 kN	8:1	2175	—	—	—	—	1180	2140	3990	6110	9810	17730
	24:1	725	—	—	—	—	2230	4050	7540	—	—	—
200 kN	8:1	2175	—	—	—	—	170	1130	2830	4770	8160	15420
	24:1	725	—	—	—	—	320	2140	5340	—	—	—
300 kN	10-2/3:1	2175	—	—	—	—	—	—	950	2530	5300	11220
	32:1	725	—	—	—	—	—	—	1590	4230	—	—

Ratings with N.A. in their cells have either exceeded the B-face flange frame size, or the single screw jack kilowatt rating. In no case should any screw jack be loaded or have a power supply beyond its' rating or damage will likely result.

Performance Specifications for 60 Hz Motor												
Actuator Capacity	Worm Gear Ratio	Speed (mm/min)	Lifting Capacity (Newtons)									
			Motor kW									
		RPM	0.12	0.18	0.25	0.37	0.55	0.75	1.10	1.50	2.20	3.70
			Motor RPM at 60 Hz									
		1700	1700	1700	1700	1700	1700	1700	1700	1700	1700	1700
25 kN	6:1	1700	140	570	1080	1940	3230	4670	7180	—	—	—
	12:1	850	320	1280	2400	4320	7200	—	—	—	—	—
	24:1	425	230	920	1720	3100	—	—	—	—	—	—
50 kN	6:1	2550	—	—	240	850	1760	2760	4530	6550	10080	17650
	12:1	1275	—	—	520	1820	3770	5940	9730	14060	—	—
	24:1	637.5	—	—	380	1330	2750	—	—	—	—	—
100 kN	8:1	2550	—	—	—	—	720	1700	3410	5360	8790	16120
	24:1	850	—	—	—	—	1360	3200	6430	—	—	—
150 kN	8:1	2550	—	—	—	—	660	1560	3140	4940	8100	14860
	24:1	850	—	—	—	—	1250	2950	5920	—	—	—
200 kN	8:1	2550	—	—	—	—	—	600	2050	3700	6590	12780
	24:1	850	—	—	—	—	—	1140	3860	—	—	—
300 kN	10-2/3:1	2550	—	—	—	—	—	—	310	1660	4020	9070
	32:1	850	—	—	—	—	—	—	520	2770	—	—

Ratings with N.A. in their cells have either exceeded the B-face flange frame size, or the single screw jack kilowatt rating. In no case should any screw jack be loaded or have a power supply beyond its' rating or damage will likely result.

⚠ CAUTION

When direct coupling a motor to an actuator, it is necessary to match motor horsepower to actuator load. Lifting speeds and maximum actuator load capacities for actuators with various motor horsepower are shown in the tables above. It is important that motors do not exceed the maximum horsepowers shown.

⚠ CAUTION

Standard ratio machine screw actuators are not always self locking and require motors with brakes. Optional ratio machine screw actuators are usually self-locking and do not require brakes. However, if self-locking is absolutely necessary, a motor brake or other restraining device should be considered.